



**Stromag**  
**TRI-R**  
**Diesel-Driven**  
**Components**



## STROMAG TRI-R COUPLING

The TRI-R Coupling is particularly suitable for resiliently mounted engines. The elasticity of the ring element is determined by the rubber composition. The axial rigidity is adjustable by the perforated diaphragm.

### Applications:

Generator systems, marine main and auxiliary drives

For more information about our flexible couplings visit

[www.stromag.com](http://www.stromag.com)

## FEATURES

### Combination of ring element with diaphragm

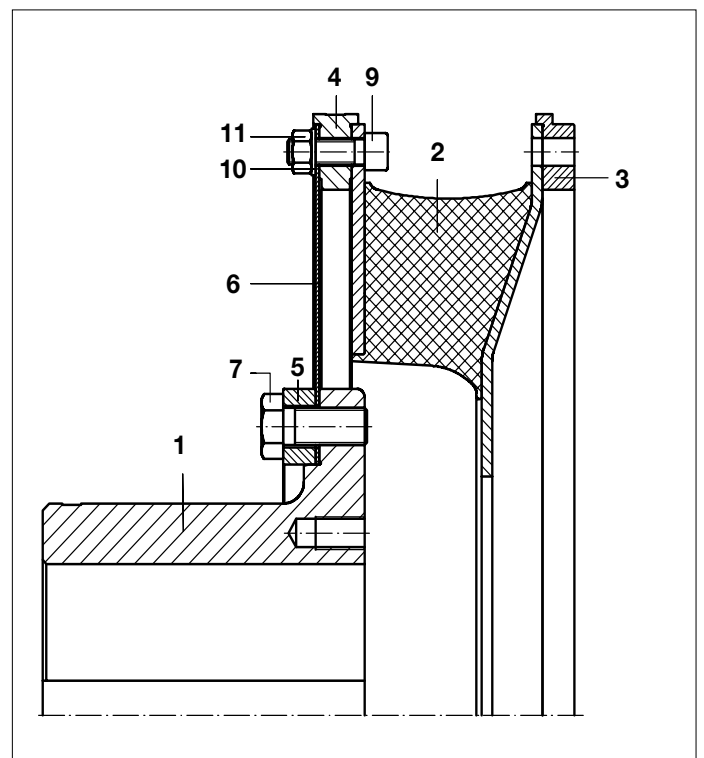
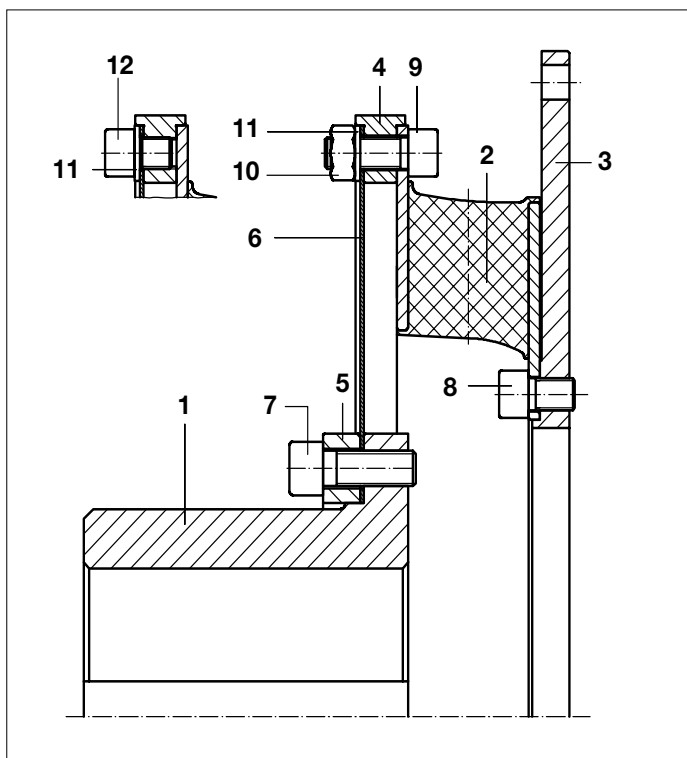
The diaphragm assures additional axial flexibility

### Different stiffnesses

Multi-row combinations of ring elements are possible

### Classification regulations

The coupling meets the requirements of directive 94/9/EG (ATEX 95)



The delivery extent of the Stromag TRI-R Coupling in standard execution comprises:

- |                       |                   |                      |
|-----------------------|-------------------|----------------------|
| 1 = Hub               | 4 = Center ring   | 7, 8, 9, 10 = Screws |
| 2 = Ring element      | 5 = Pressure ring | 11 = Nut             |
| 3 = Connection flange | 6 = Diaphragm     | 12 = Washer          |

Coupling size	Nominal Torque	Max. Torque	
	T <sub>KN</sub> [Nm]	T <sub>Kmax1</sub> [Nm]	T <sub>Kmax2</sub> [Nm]
<b>311 R</b>	1,150	1,700	3,400
<b>312 R</b>	1,350	2,000	4,000
<b>313 R</b>	1,950	2,900	580
<b>321 R</b>	1,650	2,500	5,000
<b>322 R</b>	1,950	2,900	5,800
<b>323 R</b>	2,350	3,500	7,000
<b>411 R</b>	2,550	3,800	7,600
<b>412 R</b>	4,000	6,000	12,000
<b>413 R</b>	–	–	–
<b>421 R</b>	3,600	5,400	10,800
<b>422 R</b>	5,200	7,800	15,600
<b>423 R</b>	–	–	–
<b>511 R</b>	4,350	6,500	1,300
<b>512 R</b>	6,650	10,000	20,000
<b>513 R</b>	–	–	–
<b>521 R</b>	8,550	12,800	25,600
<b>522 R</b>	14,800	22,200	44,400
<b>523 R</b>	–	–	–
<b>641 R</b>	16,000	24,000	48,000
<b>642 R</b>	16,000	24,000	48,000
<b>643 R</b>	16,000	24,000	48,000
<b>741 R</b>	20,000	30,000	60,000
<b>742 R</b>	20,000	30,000	60,000
<b>743 R</b>	20,000	30,000	60,000
<b>841 R</b>	25,000	37,500	75,000
<b>842 R</b>	25,000	37,500	75,000
<b>843 R</b>	25,000	37,500	75,000
<b>941 R</b>	31,500	47,250	94,500
<b>942 R</b>	31,500	47,250	94,500
<b>943 R</b>	31,500	47,250	94,500
<b>1041 R</b>	40,000	60,000	120,000
<b>1042 R</b>	40,000	60,000	120,000
<b>1043 R</b>	40,000	60,000	120,000
<b>1141 R</b>	50,000	75,000	150,000
<b>1142 R</b>	50,000	75,000	150,000
<b>1143 R</b>	50,000	75,000	150,000
<b>1241 R</b>	63,000	94,750	189,000
<b>1242 R</b>	63,000	94,750	189,000
<b>1243 R</b>	63,000	94,750	189,000

## Stromag Facilities

### Europe

#### Germany

Hansastraße 120  
59425 Unna - Germany  
+49 (0) 23 03 102 0

*Clutches & Brakes, Couplings,  
Geared Cam Limit Switches, Discs,  
Wind Brakes*

Dessauer Str. 10  
06844 Dessau-Roßlau - Germany  
+49 (0) 340 2190 0

*Electromagnetic Clutches & Brakes*

#### France

Avenue de l'Europe  
18150 La Guerche sur L'Aubois - France  
+33 (0)2 48 80 72 72

*Industrial Caliper & Drum Brakes*

#### Great Britain

11 Fleming Close  
Park Farm Industrial Estate  
Wellingborough NN8 6UF  
+44 (0)1933 675494

*Electromagnetic Clutches & Brakes,  
Industrial Caliper Brakes*

### North America

#### USA

31 Industrial Park Road  
New Hartford, CT 06057 - USA  
860-238-4783

*Electromagnetic Clutches & Brakes*

300 Indiana Highway 212  
Michigan City, IN 46360 - USA  
219-874-5248

*Couplings*

2800 Fisher Rd.  
Wichita Falls, TX  
940-723-3400

*Geared Cam Limit Switches,  
Industrial Caliper & Drum Brakes*

### Asia Pacific

#### China

T40B -5, No. 1765 Chuan Qiao Road  
Pudong 201206, Shanghai - China  
Tel +86 21-60580600

*Clutches & Brakes, Electromagnetic  
Clutches & Brakes, Couplings, Industrial  
Caliper & Drum Brakes, Discs, Geared  
Cam Limit Switches, Wind Brakes*

#### India

Gat No.: 448/14, Shinde Vasti, Nighoje  
Tal Khed, Pune- 410 501  
+91 2135 622100

*Clutches & Brakes, Electromagnetic  
Clutches & Brakes, Couplings, Industrial  
Caliper & Drum Brakes, Discs, Geared  
Cam Limit Switches, Wind Brakes*

## The Brands of Altra Industrial Motion

### Couplings

**Ameridrives**  
[www.ameridrives.com](http://www.ameridrives.com)

**Bibby Turboflex**  
[www.bibbyturboflex.com](http://www.bibbyturboflex.com)

**Guardian Couplings**  
[www.guardiancouplings.com](http://www.guardiancouplings.com)

**Huco**  
[www.huco.com](http://www.huco.com)

**Lamiflex Couplings**  
[www.lamiflexcouplings.com](http://www.lamiflexcouplings.com)

**Stromag**  
[www.stromag.com](http://www.stromag.com)

**TB Wood's**  
[www.tbwoods.com](http://www.tbwoods.com)

### Geared Cam Limit Switches

**Stromag**  
[www.stromag.com](http://www.stromag.com)

### Electric Clutches & Brakes

**Inertia Dynamics**  
[www.idicb.com](http://www.idicb.com)

**Matrix**  
[www.matrix-international.com](http://www.matrix-international.com)

**Stromag**  
[www.stromag.com](http://www.stromag.com)

**Warner Electric**  
[www.warnerelectric.com](http://www.warnerelectric.com)

### Linear Products

**Warner Linear**  
[www.warnerlinear.com](http://www.warnerlinear.com)

### Engineered Bearing Assemblies

**Kilian**  
[www.kilianbearings.com](http://www.kilianbearings.com)

### Heavy Duty Clutches & Brakes

**Industrial Clutch**  
[www.indclutch.com](http://www.indclutch.com)

**Twiflex Limited**  
[www.twiflex.com](http://www.twiflex.com)

**Stromag**  
[www.stromag.com](http://www.stromag.com)

**Svendborg Brakes**  
[www.svendborg-brakes.com](http://www.svendborg-brakes.com)

**Wichita Clutch**  
[www.wichitaclutch.com](http://www.wichitaclutch.com)

### Belted Drives

**TB Wood's**  
[www.tbwoods.com](http://www.tbwoods.com)

### Gearing

**Bauer Gear Motor**  
[www.bauergears.com](http://www.bauergears.com)

**Boston Gear**  
[www.bostongear.com](http://www.bostongear.com)

**Delroyd Worm Gear**  
[www.delroyd.com](http://www.delroyd.com)

**Nuttall Gear**  
[www.nuttallgear.com](http://www.nuttallgear.com)

### Overrunning Clutches

**Formsprag Clutch**  
[www.formsprag.com](http://www.formsprag.com)

**Marland Clutch**  
[www.marland.com](http://www.marland.com)

**Stieber Clutch**  
[www.stieberclutch.com](http://www.stieberclutch.com)



[www.stromag.com](http://www.stromag.com)

Hansastraße 120  
59425 Unna - Germany  
+49 2303 102-0  
Fax: +49 2303 102-201