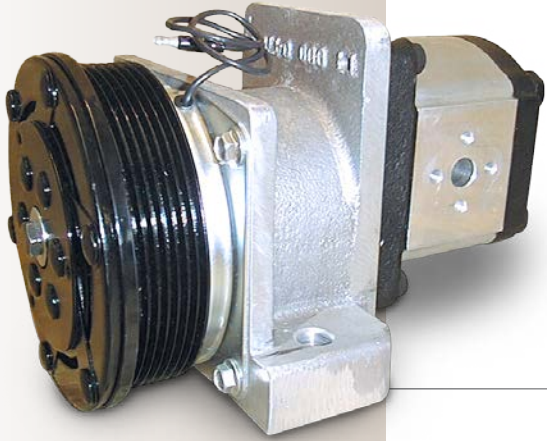


Clutches and Brakes

PTO (Low Torque)

Power Take Off Clutch Drives

**MARKETS**

- Automotive
- Marine
- General Industrial
- Off-highway

APPLICATIONS

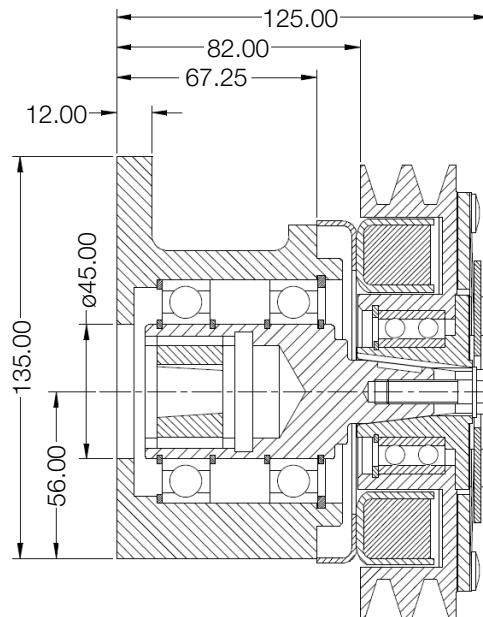
- Alternators
- Generators
- Water Pumps
- Hydraulic Pumps
- Priming Pumps
- Compressor Drives

CHARACTERISTICS

- Simple design
- Low cost
- Enables connection and disconnection of ancillary equipment

BENEFITS INCLUDE

- Reduced maintenance
- Extended equipment and belt life
- Suitable for Group 1 and 2 pumps

**SPECIFICATIONS****Sizes**

- 6" double "A" section as standard
- Variable input connection sizes
- Modifications available to customer requirements

Options

- 12V or 24V DC Supply
- Varying shaft sizes
- Vee, Poly Vee or timing belts

Features

- Low cost
- Simple connections
- Aluminium Castings
- Sealed Bearings

www.stromag.com

11 Fleming Close
Park Farm Industrial Estate
Wellingborough NN8 6UF
+44 (0)1933 675494
Fax: +44 (0)1933 675264