



## Brake Solutions

# EAJ-DW

## Holding and Emergency Caliper Disc Brakes

### MARKETS

- Steel Industry
- Aggregate
- Crane Industry
- Marine

### APPLICATIONS

- Dockside Cranes
- Industrial Cranes
- Winches
- Process Lines
- Mill Drives
- Travel Drives
- Tandem Motor Drives
- Skip Hoists
- Escalators
- Special purpose machines

### CHARACTERISTICS

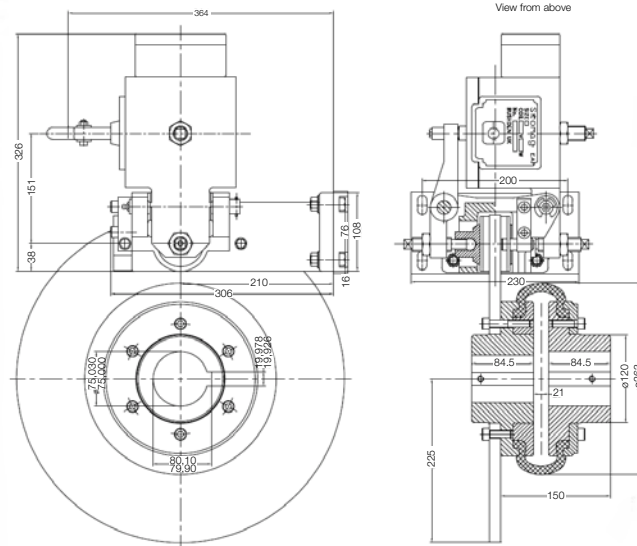
- Vertical mounted disc (standard)
- Adjustable calipers
- Brake release signal
- Hand release lever
- IP 67 terminal box
- No maximum disc diameter
- High torque pads available

### BENEFITS INCLUDE

- Low cost
- Simple operation
- Easily maintained



### Specifications



### SINGLE CALIPER FIGURES SHOWN

| Size    | Nm range based on single caliper with standard discs |          |
|---------|--|----------|
| EAJ2 DW | 150 to   | 400 Nm   |
| EAJ3 DW | 400 to   | 1300 Nm  |
| EAJ4 DW | 900 to   | 2100 Nm  |
| EAJ5 DW | 2000 to  | 5500 Nm  |
| EAJ6 DW | 4000 to  | 12000 Nm |

For multi-caliper figures please consult Stromag UK Limited

### Options

- Standard or Quick switching
- Vertical or Horizontally mounted disc
- Sizes 2 – 3 flange mounted
- Built to customers AC supply

### Features

- Quick change brake pads
- Proximity sensor
- Simple set up
- Dual channel control unit

[www.stromag.com](http://www.stromag.com)

11 Fleming Close  
Park Farm Industrial Estate  
Wellingborough NN8 6UF  
+44 (0)1933 675494  
Fax: +44 (0)1933 675264