

Groove Tool Yaw Noise Reduction

Anti-Glazing Groove Solution

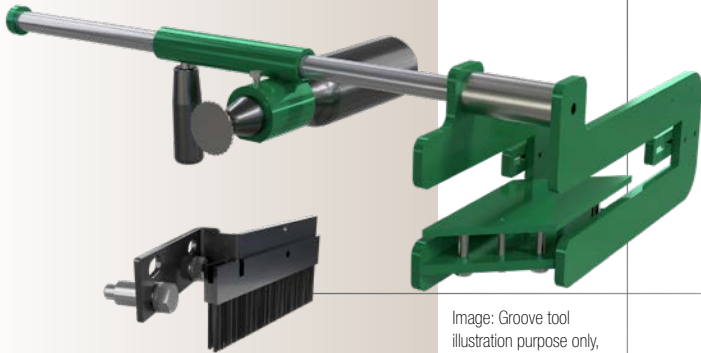


Image: Groove tool illustration purpose only, not exact model.



DESCRIPTION

One of our noise reduction solutions is the anti-glazing groove solution, which establishes a stable condition for the friction surface of the brake pads. One or multiple grooves are cut into the brake disc to remove yaw noise and prevent glazing. The yaw disc brush ensures complete removal of dust from disc surface and from grooves. The groove solution improves wear rate.

SPECIAL FEATURES

- Reduce wear rate
- Stabilize friction levels of the pads
- Reduce the possibility of leakages on caliper

SPECIFICATIONS

- Weight of complete tool assembled: 8.15kg
- Overall dimensions: (L)614x(W)385x(H)168mm
- Utilizes a Mikita 6D0810C low speed grinder - supplied separately
- Special grinding disc: 50mm (OD) X 4.2mm (W)
- Grinder disc holder: 6mm shaft
- Patented by Svendborg Brakes



Svendborg Brakes GLOBAL REPRESENTATIONS

DENMARK	sb@svendborg-brakes.com	+45 63 255 255	AUSTRALIA	sales@altramotion.com.au	+61 (0) 8 94 160300
GERMANY	sb@svendborg-brakes.com	+49 5422 9272 000	KOREA	jong.lee@svendborg-brakes.com	+82 10 9703 0979
CHINA	sb@svendborg-brakes.com	+86 21 60580600	SOUTH AFRICA	sales@sintech.co.za	+27 83 382 2479
USA	na@svendborg-brakes.com	+1 (303) 285 1271	CHILE	sa@svendborg-brakes.com	+56 23 203 9150
BRAZIL	altra.vendas@altramotion.com	+55 11 4615 6300	SPAIN	sb@svendborg-brakes.com	+34 (975) 2336 55
INDIA	milind.sule@altramotion.com	+91 83909 97970	CZECH REP.	jan.mikyska@svendborg-brakes.cz	+420 2 51 68 01 68
POLAND	biuro@vitech.pl	+48 605 765 904	PERU	pe@svendborg-brakes.com	+51 959 224488

www.altra-renewables.com

Jernbanevej 9
DK-5882 Vejstrup, Denmark
+45 63 255 255
info@altra-renewables.com