

AFTERMARKET LIFECYCLE MANAGEMENT

GENUINE SPARE PARTS

SVENDBORG BRAKES GENUINE SPARE PARTS FOR WIND TURBINES

We offer calipers, brake pads, seal kits, sensors and many other parts and patented service tools.

Once you have purchased our braking solution and implemented it in your operation, the expertise of our unique and worldwide after sales support will be there for you.

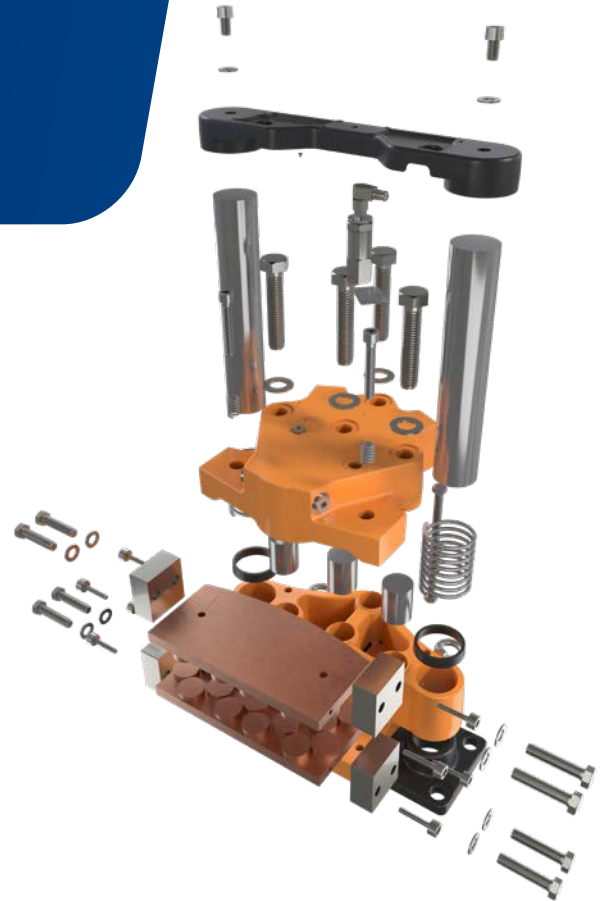
We also offer training, technical support, scheduled maintenance, 24/7 global service support, upgrades and retro-fits to existing solutions.

Genuine Parts based on decades of design and operational experience; a proven track record of successfully operating in more than 200.000 wind turbines all around the world.

The components have been subjected to extreme testing in varied conditions to be ready for all imaginable weather and other wear & tear challenges. Our Genuine Parts are further strengthened and supported by global field service teams and trusted partners with parts inventory in stock.

At the end of the day, it is all about maximizing operational reliability and uptime – all of which is backed by a wide support setup of expert personnel and our qualified external partner network.

- 40 years of operational expertise with wind brake caliper systems and friction materials
- Over 200.000 wind turbines delivered with our products
- Superior quality and optimal performance and reliability
- Authentication app



Regal Rexnord

Contact us: +45 63 255 255

regalrexnord.com/wind-solutions | svendborg-brakes.com | regalrexnord.com

The proper selection and application of products and components, including assuring that the product is safe for its intended use, are the responsibility of the customer. To view our Application Considerations, please visit <https://www.regalrexnord.com/Application-Considerations>.

To view our Standard Terms and Conditions of Sale, please visit <https://www.regalrexnord.com/Terms-and-Conditions-of-Sale>.