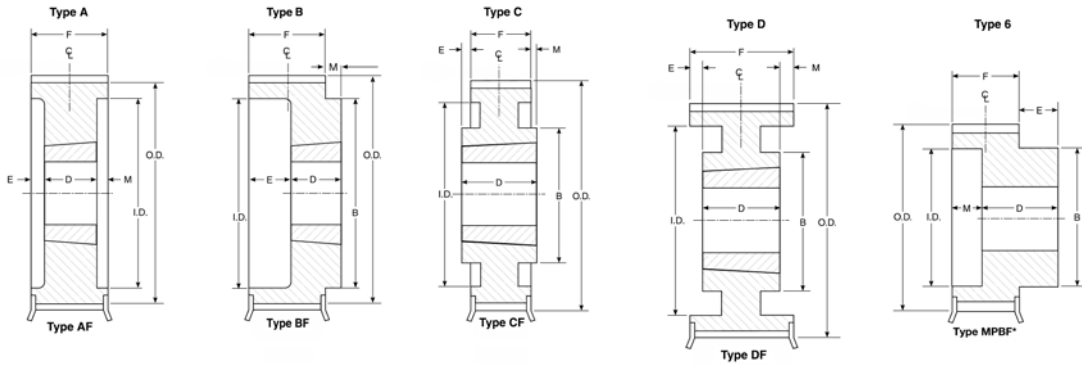


# QT Power Chain® II Carbon Sprockets

## 8mm Sprocket Dimensions

### SPROCKET TYPES

The synchronous sprockets listed in the tables below are all stock sizes. All dimensions given are for the sprocket with the Taper-Lock bushing in place and are in inches only. The figure following the type sketch letter in the "type" column indicates the construction: (1-solid, 2-web, 3-arms), and the letter "F" indicates the sprocket has flanges.



| PRODUCT NO.                                       | BUSHING | NO. OF TEETH | DIAMETERS |          |        |       | TYPE  | DIMENSIONS (INCHES) |      |      |      |      | BORE  |      | WT.  |
|---|---------|--------------|-----------|----------|--------|-------|-------|---------------------|------|------|------|------|-------|------|------|
|   |         |              | P.D.      | O.D.     |        | I.D.  |       | E                   | F    | B    | D    | M    | Min.  | Max. |      |
|   |         |              |           | Sprocket | Flange |       |       |                     |      |      |      |      |       |      |      |
| FOR BELTS 12 mm (.47 in.) WIDE • 8mm PITCH (8MPC) |         |              |           |          |        |       |       |                     |      |      |      |      |       |      |      |
| 8MPC22S12   | 1008    | 22           | 2.206     | 2.143    | 2.61   | —     | A1F   | —                   | 0.88 | —    | 0.88 | —    | 0.50  | 1.00 | 0.7  |
| 8MPC22S12MPB                                      | MPB     | 22           | 2.206     | 2.143    | 2.61   | —     | MPB1F | 0.63                | 0.85 | 1.79 | 1.48 | —    | 0.50* | 1.19 | 1.0  |
| 8MPC25S12   | 1108    | 25           | 2.506     | 2.443    | 2.91   | —     | A1F   | —                   | 0.88 | —    | 0.88 | —    | 0.50  | 1.13 | 1.0  |
| 8MPC25S12MPB                                      | MPB     | 25           | 2.506     | 2.443    | 2.91   | —     | MPB1F | 0.63                | 0.85 | 2.08 | 1.48 | —    | 0.50* | 1.50 | 1.4  |
| 8MPC26S12   | 1108    | 26           | 2.607     | 2.544    | 2.91   | —     | A1F   | —                   | 0.88 | —    | 0.88 | —    | 0.50  | 1.13 | 1.1  |
| 8MPC27S12   | 1108    | 27           | 2.707     | 2.644    | 3.15   | —     | A1F   | —                   | 0.88 | —    | 0.88 | —    | 0.50  | 1.13 | 1.2  |
| 8MPC28S12   | 1108    | 28           | 2.807     | 2.744    | 3.15   | —     | A1F   | —                   | 0.88 | —    | 0.88 | —    | 0.50  | 1.13 | 1.3  |
| 8MPC28S12MPB                                      | MPB     | 28           | 2.807     | 2.744    | 3.15   | —     | MPB1F | 0.75                | 0.85 | 2.34 | 1.60 | —    | 0.50* | 1.75 | 1.9  |
| 8MPC29S12   | 1108    | 29           | 2.907     | 2.844    | 3.15   | —     | A1F   | —                   | 0.88 | —    | 0.88 | —    | 0.50  | 1.13 | 1.3  |
| 8MPC30S12   | 1108    | 30           | 3.008     | 2.945    | 3.35   | —     | A1F   | —                   | 0.88 | —    | 0.88 | —    | 0.50  | 1.13 | 1.5  |
| 8MPC30S12MPB                                      | MPB     | 30           | 3.008     | 2.945    | 3.35   | —     | MPB1F | 0.75                | 0.85 | 2.54 | 1.60 | —    | 0.50* | 1.81 | 2.2  |
| 8MPC31S12   | 1210    | 31           | 3.108     | 3.045    | 3.42   | —     | A1F   | —                   | 1.00 | —    | 1.00 | —    | 0.50  | 1.25 | 1.6  |
| 8MPC32S12   | 1210    | 32           | 3.208     | 3.145    | 3.54   | —     | A1F   | —                   | 1.00 | —    | 1.00 | —    | 0.50  | 1.25 | 1.7  |
| 8MPC32S12MPB                                      | MPB     | 32           | 3.208     | 3.145    | 3.54   | —     | MPB1F | 0.75                | 0.85 | 2.73 | 1.60 | —    | 0.50* | 2.00 | 2.6  |
| 8MPC33S12   | 1610    | 33           | 3.308     | 3.245    | 3.81   | —     | A1F   | —                   | 1.00 | —    | 1.00 | —    | 0.50  | 1.69 | 1.8  |
| 8MPC34S12   | 1610    | 34           | 3.409     | 3.346    | 3.81   | —     | A1F   | —                   | 1.00 | —    | 1.00 | —    | 0.50  | 1.69 | 1.9  |
| 8MPC35S12   | 1610    | 35           | 3.509     | 3.446    | 3.94   | —     | A1F   | —                   | 1.00 | —    | 1.00 | —    | 0.50  | 1.69 | 2.1  |
| 8MPC36S12   | 1610    | 36           | 3.609     | 3.546    | 3.94   | —     | A1F   | —                   | 1.00 | —    | 1.00 | —    | 0.50  | 1.69 | 2.2  |
| 8MPC37S12   | 1610    | 37           | 3.709     | 3.646    | 4.13   | —     | A1F   | —                   | 1.00 | —    | 1.00 | —    | 0.50  | 1.69 | 2.4  |
| 8MPC38S12   | 1610    | 38           | 3.810     | 3.747    | 4.13   | —     | A1F   | —                   | 1.00 | —    | 1.00 | —    | 0.50  | 1.69 | 2.5  |
| 8MPC39S12   | 1610    | 39           | 3.910     | 3.847    | 4.34   | —     | A1F   | —                   | 1.00 | —    | 1.00 | —    | 0.50  | 1.69 | 2.7  |
| 8MPC40S12   | 2012    | 40           | 4.010     | 3.947    | 4.34   | —     | B1F   | —                   | 0.85 | 3.53 | 1.25 | 0.40 | 0.50  | 2.13 | 3.3  |
| 8MPC41S12   | 2012    | 41           | 4.110     | 4.047    | 4.53   | —     | B1F   | —                   | 0.85 | 3.59 | 1.25 | 0.40 | 0.50  | 2.13 | 3.4  |
| 8MPC42S12   | 2012    | 42           | 4.211     | 4.148    | 4.53   | —     | B1F   | —                   | 0.85 | 3.59 | 1.25 | 0.40 | 0.50  | 2.13 | 3.5  |
| 8MPC45S12   | 2012    | 45           | 4.511     | 4.448    | 4.91   | —     | B1F   | —                   | 0.85 | 3.79 | 1.25 | 0.40 | 0.50  | 2.13 | 4.0  |
| 8MPC48S12   | 2012    | 48           | 4.812     | 4.749    | 5.16   | —     | B1F   | —                   | 0.85 | 4.25 | 1.25 | 0.40 | 0.50  | 2.13 | 4.9  |
| 8MPC50S12   | 2012    | 50           | 5.013     | 4.950    | 5.32   | —     | B1F   | —                   | 0.85 | 4.38 | 1.25 | 0.40 | 0.50  | 2.13 | 5.3  |
| 8MPC53S12   | 2012    | 53           | 5.314     | 5.251    | 5.64   | —     | B1F   | —                   | 0.85 | 4.38 | 1.25 | 0.40 | 0.50  | 2.13 | 5.8  |
| 8MPC56S12   | 2012    | 56           | 5.614     | 5.551    | 5.95   | —     | B1F   | —                   | 0.85 | 4.38 | 1.25 | 0.40 | 0.50  | 2.13 | 6.4  |
| 8MPC60S12   | 2012    | 60           | 6.015     | 5.952    | 6.41   | —     | B1F   | —                   | 0.85 | 4.38 | 1.25 | 0.40 | 0.50  | 2.13 | 7.0  |
| 8MPC63S12   | 2012    | 63           | 6.316     | 6.253    | 6.77   | —     | B1F   | —                   | 0.85 | 4.38 | 1.25 | 0.40 | 0.50  | 2.13 | 7.8  |
| 8MPC67S12   | 2012    | 67           | 6.717     | 6.654    | 7.23   | —     | B1F   | —                   | 0.85 | 4.38 | 1.25 | 0.40 | 0.50  | 2.13 | 8.6  |
| 8MPC71S12   | 2012    | 71           | 7.118     | 7.055    | 7.60   | —     | B1F   | —                   | 0.85 | 4.38 | 1.25 | 0.40 | 0.50  | 2.13 | 9.6  |
| 8MPC75S12   | 2012    | 75           | 7.519     | 7.456    | 7.87   | —     | B1F   | —                   | 0.85 | 4.38 | 1.25 | 0.40 | 0.50  | 2.13 | 10.4 |
| 8MPC80S12   | 2012    | 80           | 8.020     | 7.957    | 8.39   | 7.00  | B2F   | —                   | 0.85 | 4.38 | 1.25 | 0.40 | 0.50  | 2.13 | 9.6  |
| 8MPC90S12   | 2012    | 90           | 9.023     | 8.960    | —      | 8.00  | B3    | —                   | 0.85 | 4.38 | 1.25 | 0.40 | 0.50  | 2.13 | 11.2 |
| 8MPC112S12  | 2012    | 112          | 11.229    | 11.166   | —      | 10.00 | B3    | —                   | 0.85 | 4.38 | 1.25 | 0.40 | 0.50  | 2.13 | 13.0 |
| 8MPC140S12  | 2012    | 140          | 14.036    | 13.973   | —      | 12.75 | B3    | —                   | 0.85 | 4.38 | 1.25 | 0.40 | 0.50  | 2.13 | 16.7 |
| 8MPC180S12  | 2517    | 180          | 18.046    | 17.983   | —      | 16.50 | B3    | —                   | 0.85 | 4.88 | 1.75 | 0.90 | 0.50  | 2.69 | 28   |
| 8MPC224S12  | 2517    | 224          | 22.457    | 22.394   | —      | 20.81 | B3    | —                   | 0.85 | 4.88 | 1.75 | 0.90 | 0.50  | 2.69 | 37   |

Weights for all Sure-Grip bushed items are approximate and include the bushing.

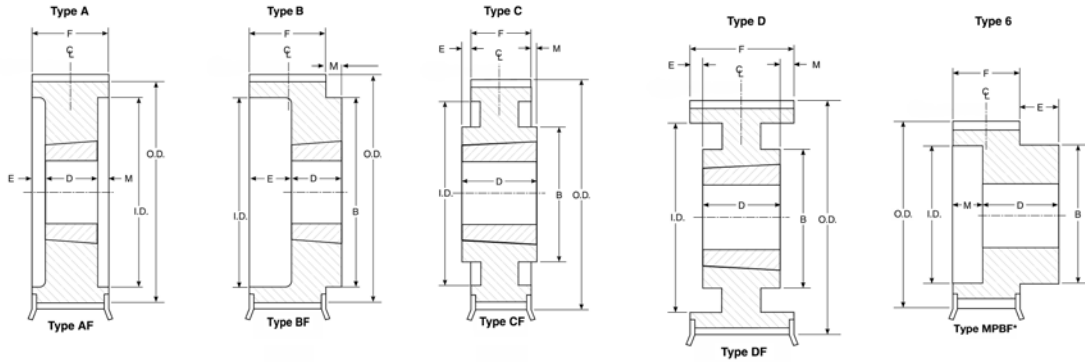
\*Bored-to-suit construction, minimum plain bore, no setscrews.

# QT Power Chain® II Carbon Sprockets

## 8mm Sprocket Dimensions

### SPROCKET TYPES

The synchronous sprockets listed in the tables below are all stock sizes. All dimensions given are for the sprocket with the Taper-Lock bushing in place and are in inches only. The figure following the type sketch letter in the "type" column indicates the construction: (1-solid, 2-web, 3-arms), and the letter "F" indicates the sprocket has flanges.



| PRODUCT NO.                                       | BUSHING | NO. OF TEETH | DIAMETERS |          |        |       | TYPE  | DIMENSIONS (INCHES) |      |      |      |      | BORE  |      | WT.  |
|---|---------|--------------|-----------|----------|--------|-------|-------|---------------------|------|------|------|------|-------|------|------|
|   |         |              | P.D.      | O.D.     |        | I.D.  |       | E                   | F    | B    | D    | M    | Min.  | Max. |      |
|   |         |              |           | Sprocket | Flange |       |       |                     |      |      |      |      |       |      |      |
| FOR BELTS 21 mm (.83 in.) WIDE • 8mm PITCH (8MPC) |         |              |           |          |        |       |       |                     |      |      |      |      |       |      |      |
| 8MPC22S21   | 1008    | 22           | 2.206     | 2.143    | 2.61   | 1.63  | A1F   | —                   | 1.20 | —    | 0.88 | 0.33 | 0.50  | 1.00 | 0.8  |
| 8MPC22S21MPB                                      | MPB     | 22           | 2.206     | 2.143    | 2.61   | —     | MPB1F | 0.63                | 1.20 | 1.79 | 1.83 | —    | 0.50* | 1.19 | 1.3  |
| 8MPC25S21   | 1108    | 25           | 2.506     | 2.443    | 2.91   | 1.75  | A1F   | —                   | 1.20 | —    | 0.88 | 0.33 | 0.50  | 1.13 | 1.2  |
| 8MPC25S21MPB                                      | MPB     | 25           | 2.506     | 2.443    | 2.91   | —     | MPB1F | 0.63                | 1.20 | 2.08 | 1.83 | —    | 0.50* | 1.50 | 1.7  |
| 8MPC26S21   | 1108    | 26           | 2.607     | 2.544    | 2.91   | 1.81  | A1F   | —                   | 1.20 | —    | 0.88 | 0.33 | 0.50  | 1.13 | 1.2  |
| 8MPC27S21   | 1108    | 27           | 2.707     | 2.644    | 3.15   | 1.94  | A1F   | —                   | 1.20 | —    | 0.88 | 0.33 | 0.50  | 1.13 | 1.4  |
| 8MPC28S21   | 1108    | 28           | 2.807     | 2.744    | 3.15   | 2.06  | A1F   | —                   | 1.20 | —    | 0.88 | 0.33 | 0.50  | 1.13 | 1.4  |
| 8MPC28S21MPB                                      | MPB     | 28           | 2.807     | 2.744    | 3.15   | —     | MPB1F | 0.75                | 1.20 | 2.34 | 1.95 | —    | 0.50* | 1.75 | 2.3  |
| 8MPC29S21   | 1108    | 29           | 2.907     | 2.844    | 3.15   | 2.13  | A1F   | —                   | 1.20 | —    | 0.88 | 0.33 | 0.50  | 1.13 | 1.5  |
| 8MPC30S21   | 1108    | 30           | 3.008     | 2.945    | 3.35   | 2.25  | A1F   | —                   | 1.20 | —    | 0.88 | 0.33 | 0.50  | 1.13 | 1.7  |
| 8MPC30S21MPB                                      | MPB     | 30           | 3.008     | 2.945    | 3.35   | —     | MPB1F | 0.75                | 1.20 | 2.54 | 1.95 | —    | 0.50* | 1.81 | 2.8  |
| 8MPC31S21   | 1210    | 31           | 3.108     | 3.045    | 3.42   | 2.31  | A1F   | —                   | 1.20 | —    | 1.00 | 0.20 | 0.50  | 1.25 | 1.7  |
| 8MPC32S21   | 1210    | 32           | 3.208     | 3.145    | 3.54   | 2.38  | A1F   | —                   | 1.20 | —    | 1.00 | 0.20 | 0.50  | 1.25 | 1.8  |
| 8MPC32S21MPB                                      | MPB     | 32           | 3.208     | 3.145    | 3.54   | —     | MPB1F | 0.75                | 1.20 | 2.73 | 1.95 | —    | 0.50* | 2.00 | 3.2  |
| 8MPC33S21   | 1610    | 33           | 3.308     | 3.245    | 3.81   | 2.63  | A1F   | —                   | 1.20 | —    | 1.00 | 0.20 | 0.50  | 1.69 | 1.9  |
| 8MPC34S21   | 1610    | 34           | 3.409     | 3.346    | 3.81   | 2.63  | A1F   | —                   | 1.20 | —    | 1.00 | 0.20 | 0.50  | 1.69 | 2.0  |
| 8MPC35S21   | 1610    | 35           | 3.509     | 3.446    | 3.94   | 2.75  | A1F   | —                   | 1.20 | —    | 1.00 | 0.20 | 0.50  | 1.69 | 2.2  |
| 8MPC36S21   | 1610    | 36           | 3.609     | 3.546    | 3.94   | 2.81  | A1F   | —                   | 1.20 | —    | 1.00 | 0.20 | 0.50  | 1.69 | 2.3  |
| 8MPC37S21   | 1610    | 37           | 3.709     | 3.646    | 4.13   | 2.88  | A1F   | —                   | 1.20 | —    | 1.00 | 0.20 | 0.50  | 1.69 | 2.5  |
| 8MPC38S21   | 1610    | 38           | 3.810     | 3.747    | 4.13   | 3.00  | A1F   | —                   | 1.20 | —    | 1.00 | 0.20 | 0.50  | 1.69 | 2.6  |
| 8MPC39S21   | 1610    | 39           | 3.910     | 3.847    | 4.34   | 3.13  | A1F   | —                   | 1.20 | —    | 1.00 | 0.20 | 0.50  | 1.69 | 2.8  |
| 8MPC40S21   | 2012    | 40           | 4.010     | 3.947    | 4.34   | —     | A1F   | —                   | 1.25 | —    | 1.25 | —    | 0.50  | 2.13 | 3.4  |
| 8MPC41S21   | 2012    | 41           | 4.110     | 4.047    | 4.53   | —     | A1F   | —                   | 1.25 | —    | 1.25 | —    | 0.50  | 2.13 | 3.6  |
| 8MPC42S21   | 2012    | 42           | 4.211     | 4.148    | 4.53   | —     | A1F   | —                   | 1.25 | —    | 1.25 | —    | 0.50  | 2.13 | 3.8  |
| 8MPC45S21   | 2012    | 45           | 4.511     | 4.448    | 4.91   | —     | A1F   | —                   | 1.25 | —    | 1.25 | —    | 0.50  | 2.13 | 4.4  |
| 8MPC48S21   | 2012    | 48           | 4.812     | 4.749    | 5.16   | —     | A1F   | —                   | 1.25 | —    | 1.25 | —    | 0.50  | 2.13 | 5.1  |
| 8MPC50S21   | 2012    | 50           | 5.013     | 4.950    | 5.32   | —     | A1F   | —                   | 1.25 | —    | 1.25 | —    | 0.50  | 2.13 | 5.6  |
| 8MPC53S21   | 2012    | 53           | 5.314     | 5.251    | 5.64   | —     | A1F   | —                   | 1.25 | —    | 1.25 | —    | 0.50  | 2.13 | 6.4  |
| 8MPC56S21   | 2012    | 56           | 5.614     | 5.551    | 5.95   | —     | A1F   | —                   | 1.25 | —    | 1.25 | —    | 0.50  | 2.13 | 7.2  |
| 8MPC60S21   | 2012    | 60           | 6.015     | 5.952    | 6.41   | —     | A1F   | —                   | 1.25 | —    | 1.25 | —    | 0.50  | 2.13 | 8.2  |
| 8MPC63S21   | 2012    | 63           | 6.316     | 6.253    | 6.77   | —     | A1F   | —                   | 1.25 | —    | 1.25 | —    | 0.50  | 2.13 | 9.3  |
| 8MPC67S21   | 2517    | 67           | 6.717     | 6.654    | 7.23   | —     | B1F   | —                   | 1.20 | 4.88 | 1.75 | 0.55 | 0.50  | 2.69 | 11.1 |
| 8MPC71S21   | 2517    | 71           | 7.118     | 7.055    | 7.6    | —     | B1F   | —                   | 1.20 | 4.88 | 1.75 | 0.55 | 0.50  | 2.69 | 12.4 |
| 8MPC75S21   | 2517    | 75           | 7.519     | 7.456    | 7.87   | —     | B1F   | —                   | 1.20 | 4.88 | 1.75 | 0.55 | 0.50  | 2.69 | 13.7 |
| 8MPC80S21   | 2517    | 80           | 8.020     | 7.957    | 8.39   | 7.00  | B2F   | —                   | 1.20 | 4.88 | 1.75 | 0.55 | 0.50  | 2.69 | 12.5 |
| 8MPC90S21   | 2517    | 90           | 9.023     | 8.960    | —      | 8.00  | B3    | —                   | 1.20 | 4.88 | 1.75 | 0.55 | 0.50  | 2.69 | 12.8 |
| 8MPC112S21  | 2517    | 112          | 11.229    | 11.166   | —      | 10.00 | B3    | —                   | 1.20 | 4.88 | 1.75 | 0.55 | 0.50  | 2.69 | 16.8 |
| 8MPC140S21  | 2517    | 140          | 14.036    | 13.973   | —      | 12.75 | B3    | —                   | 1.20 | 4.88 | 1.75 | 0.55 | 0.50  | 2.69 | 23   |
| 8MPC180S21  | 3020    | 180          | 18.046    | 17.983   | —      | 16.50 | B3    | —                   | 1.20 | 6.25 | 2.00 | 0.80 | 0.88  | 3.25 | 42   |
| 8MPC224S21  | 3020    | 224          | 22.457    | 22.394   | —      | 20.81 | B3    | —                   | 1.20 | 6.25 | 2.00 | 0.80 | 0.88  | 3.25 | 53   |

Weights for all Sure-Grip bushed items are approximate and include the bushing.

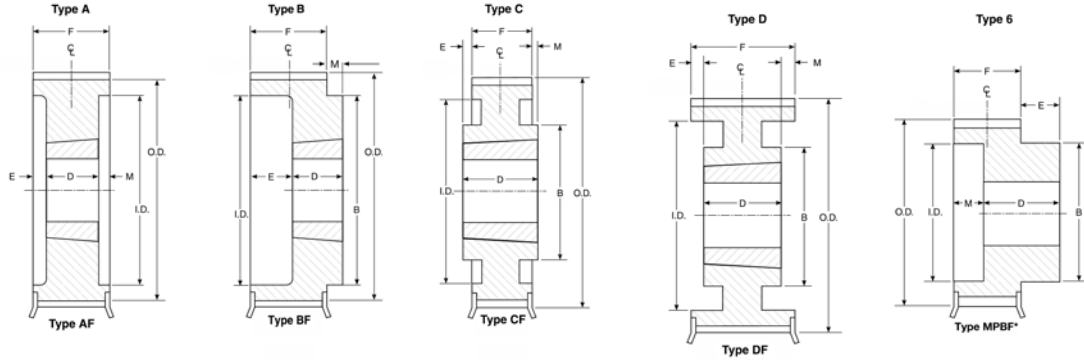
\*Bored-to-suit construction, minimum plain bore, no setscrews.

# QT Power Chain® II Carbon Sprockets

## 8mm Sprocket Dimensions

### SPROCKET TYPES

The synchronous sprockets listed in the tables below are all stock sizes. All dimensions given are for the sprocket with the Taper-Lock bushing in place and are in inches only. The figure following the type sketch letter in the "type" column indicates the construction: (1-solid, 2-web, 3-arms), and the letter "F" indicates the sprocket has flanges.



| PRODUCT NO.  | BUSHING | NO. OF TEETH | DIAMETERS |          |        |       | TYPE  | DIMENSIONS (INCHES) |      |      |      |      | BORE  |      | WT.  |
|--|---------|--------------|-----------|----------|--------|-------|-------|---------------------|------|------|------|------|-------|------|------|
|  |         |              | P.D.      | O.D.     |        | I.D.  |       | E                   | F    | B    | D    | M    | Min.  | Max. |      |
|  |         |              |           | Sprocket | Flange |       |       |                     |      |      |      |      |       |      |      |
| FOR BELTS 36 mm (1.42 in.) WIDE • 8mm PITCH (8MPC) |         |              |           |          |        |       |       |                     |      |      |      |      |       |      |      |
| 8MPC22S36MPB                                       | MPB     | 22           | 2.206     | 2.143    | 2.61   | —     | MPB1F | 0.63                | 1.86 | 1.79 | 2.49 | —    | 0.50* | 1.19 | 1.8  |
| 8MPC25S36MPB                                       | MPB     | 25           | 2.506     | 2.443    | 2.91   | —     | MPB1F | 0.63                | 1.86 | 2.08 | 2.49 | —    | 0.50* | 1.50 | 2.4  |
| 8MPC28S36MPB                                       | MPB     | 28           | 2.807     | 2.744    | 3.15   | —     | MPB1F | 0.75                | 1.86 | 2.34 | 2.61 | —    | 0.50* | 1.75 | 3.2  |
| 8MPC30S36MPB                                       | MPB     | 30           | 3.008     | 2.945    | 3.35   | —     | MPB1F | 0.75                | 1.86 | 2.54 | 2.61 | —    | 0.50* | 1.81 | 3.8  |
| 8MPC32S36  | 1210    | 32           | 3.208     | 3.145    | 3.54   | 2.38  | A1F   | —                   | 1.86 | —    | 1.00 | 0.86 | 0.50  | 1.25 | 2.2  |
| 8MPC32S36MPB                                       | MPB     | 32           | 3.208     | 3.145    | 3.54   | —     | MPB1F | 0.75                | 1.86 | 2.73 | 2.61 | —    | 0.50* | 2.00 | 4.4  |
| 8MPC33S36  | 1610    | 33           | 3.308     | 3.245    | 3.81   | 2.63  | A1F   | —                   | 1.86 | —    | 1.00 | 0.86 | 0.50  | 1.69 | 2.3  |
| 8MPC34S36  | 1610    | 34           | 3.409     | 3.346    | 3.81   | 2.63  | A1F   | —                   | 1.86 | —    | 1.00 | 0.86 | 0.50  | 1.69 | 2.5  |
| 8MPC34S36MPB                                       | MPB     | 34           | 3.409     | 3.346    | 3.81   | —     | MPB1F | 0.75                | 1.86 | 2.82 | 2.61 | —    | 0.50* | 2.13 | 4.9  |
| 8MPC35S36  | 1610    | 35           | 3.509     | 3.446    | 3.94   | 2.75  | A1F   | —                   | 1.86 | —    | 1.00 | 0.86 | 0.50  | 1.69 | 2.7  |
| 8MPC36S36  | 1610    | 36           | 3.609     | 3.546    | 3.94   | 2.81  | A1F   | —                   | 1.86 | —    | 1.00 | 0.86 | 0.50  | 1.69 | 2.8  |
| 8MPC36S36MPB                                       | MPB     | 36           | 3.609     | 3.546    | 3.94   | —     | MPB1F | 0.75                | 1.86 | 3.13 | 2.61 | —    | 0.50  | 2.31 | 5.7  |
| 8MPC37S36  | 1610    | 37           | 3.709     | 3.646    | 4.13   | 2.88  | A1F   | —                   | 1.86 | —    | 1.00 | 0.86 | 0.50  | 1.69 | 3.1  |
| 8MPC38S36  | 1610    | 38           | 3.810     | 3.747    | 4.13   | 3.00  | A1F   | —                   | 1.86 | —    | 1.00 | 0.86 | 0.50  | 1.69 | 3.2  |
| 8MPC38S36MPB                                       | MPB     | 38           | 3.810     | 3.747    | 4.13   | —     | MPB1F | 0.75                | 1.86 | 3.32 | 2.61 | —    | 0.50* | 2.44 | 6.4  |
| 8MPC39S36  | 1610    | 39           | 3.910     | 3.847    | 4.34   | 3.13  | A1F   | —                   | 1.86 | —    | 1.00 | 0.86 | 0.50  | 1.69 | 3.3  |
| 8MPC40S36  | 2012    | 40           | 4.010     | 3.947    | 4.34   | 3.19  | A1F   | —                   | 1.86 | —    | 1.25 | 0.61 | 0.50  | 2.13 | 4.0  |
| 8MPC41S36  | 2012    | 41           | 4.110     | 4.047    | 4.53   | 3.25  | A1F   | —                   | 1.86 | —    | 1.25 | 0.61 | 0.50  | 2.13 | 4.2  |
| 8MPC42S36  | 2012    | 42           | 4.211     | 4.148    | 4.53   | 3.31  | A1F   | —                   | 1.86 | —    | 1.25 | 0.61 | 0.50  | 2.13 | 4.4  |
| 8MPC45S36  | 2012    | 45           | 4.511     | 4.448    | 4.91   | 3.56  | A1F   | —                   | 1.86 | —    | 1.25 | 0.61 | 0.50  | 2.13 | 5.1  |
| 8MPC48S36  | 2012    | 48           | 4.812     | 4.749    | 5.16   | 3.88  | A1F   | —                   | 1.86 | —    | 1.25 | 0.61 | 0.50  | 2.13 | 5.9  |
| 8MPC50S36  | 2012    | 50           | 5.013     | 4.950    | 5.32   | 4.13  | A1F   | —                   | 1.86 | —    | 1.25 | 0.61 | 0.50  | 2.13 | 6.4  |
| 8MPC53S36  | 2012    | 53           | 5.314     | 5.251    | 5.64   | 4.38  | A1F   | —                   | 1.86 | —    | 1.25 | 0.61 | 0.50  | 2.13 | 7.2  |
| 8MPC56S36  | 2012    | 56           | 5.614     | 5.551    | 5.95   | 4.69  | A1F   | —                   | 1.86 | —    | 1.25 | 0.61 | 0.50  | 2.13 | 8.1  |
| 8MPC60S36  | 2517    | 60           | 6.015     | 5.952    | 6.41   | 5.00  | A1F   | —                   | 1.86 | —    | 1.75 | 0.11 | 0.50  | 2.69 | 10.1 |
| 8MPC63S36  | 2517    | 63           | 6.316     | 6.253    | 6.77   | 5.38  | A1F   | —                   | 1.86 | —    | 1.75 | 0.11 | 0.50  | 2.69 | 11.6 |
| 8MPC67S36  | 2517    | 67           | 6.717     | 6.654    | 7.23   | 5.81  | A1F   | —                   | 1.86 | —    | 1.75 | 0.11 | 0.50  | 2.69 | 13.4 |
| 8MPC71S36  | 2517    | 71           | 7.118     | 7.055    | 7.60   | 6.19  | A1F   | —                   | 1.86 | —    | 1.75 | 0.11 | 0.50  | 2.69 | 15.3 |
| 8MPC75S36  | 2517    | 75           | 7.519     | 7.456    | 7.87   | 6.56  | A1F   | —                   | 1.86 | —    | 1.75 | 0.11 | 0.50  | 2.69 | 17.2 |
| 8MPC80S36  | 3020    | 80           | 8.020     | 7.957    | 8.39   | —     | B1F   | —                   | 1.86 | 6.25 | 2.00 | 0.14 | 0.88  | 3.25 | 24   |
| 8MPC90S36  | 3020    | 90           | 9.023     | 8.960    | —      | —     | B1    | —                   | 1.86 | 6.25 | 2.00 | 0.14 | 0.88  | 3.25 | 30   |
| 8MPC112S36   | 3020    | 112          | 11.229    | 11.166   | —      | 10.00 | B2    | —                   | 1.86 | 6.25 | 2.00 | 0.14 | 0.88  | 3.25 | 32   |
| 8MPC140S36   | 3020    | 140          | 14.036    | 13.973   | —      | 12.38 | B3    | —                   | 1.86 | 6.25 | 2.00 | 0.14 | 0.88  | 3.25 | 39   |
| 8MPC180S36   | 3020    | 180          | 18.046    | 17.983   | —      | 16.06 | B3    | —                   | 1.86 | 6.25 | 2.00 | 0.14 | 0.88  | 3.25 | 58   |
| 8MPC224S36   | 3525    | 224          | 22.457    | 22.394   | —      | 20.31 | B3    | —                   | 1.86 | 8.75 | 2.50 | 0.64 | 1.19  | 3.94 | 99   |

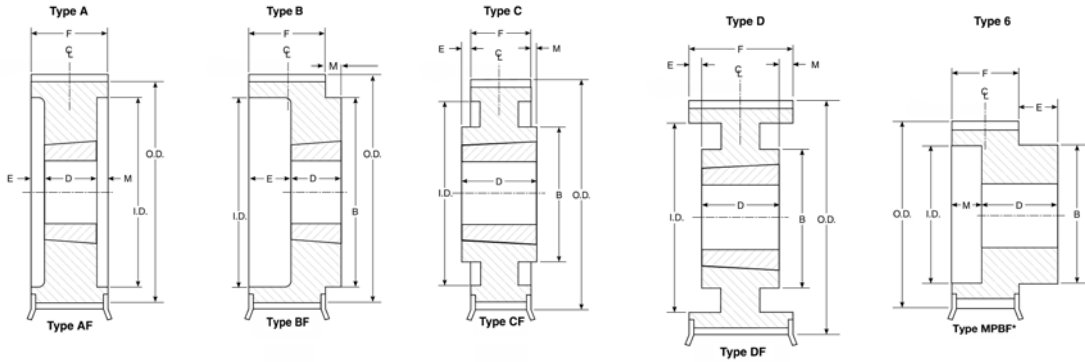
\*Bored-to-suit construction, minimum plain bore, no setscrews.

# QT Power Chain® II Carbon Sprockets

## 8mm Sprocket Dimensions

### SPROCKET TYPES

The synchronous sprockets listed in the tables below are all stock sizes. All dimensions given are for the sprocket with the Taper-Lock bushing in place and are in inches only. The figure following the type sketch letter in the "type" column indicates the construction: (1-solid, 2-web, 3-arms), and the letter "F" indicates the sprocket has flanges.



| PRODUCT NO.  | BUSHING | NO. OF TEETH | DIAMETERS |          |        |       | TYPE  | DIMENSIONS (INCHES) |      |      |      |      | BORE  |       | WT.  |
|--|---------|--------------|-----------|----------|--------|-------|-------|---------------------|------|------|------|------|-------|-------|------|
|  |         |              | P.D.      | O.D.     |        | I.D.  |       | E                   | F    | B    | D    | M    | Min.  | Max.  |      |
|  |         |              |           | Sprocket | Flange |       |       |                     |      |      |      |      |       |       |      |
| FOR BELTS 62 mm (2.44 in.) WIDE • 8mm PITCH (8MPC) |         |              |           |          |        |       |       |                     |      |      |      |      |       |       |      |
| 8MPC22S62MPB                                       | MPB     | 22           | 2.206     | 2.143    | 2.61   | —     | MPB1F | 0.63                | 2.91 | 1.79 | 3.54 | —    | 1.00* | 1.19  | 2.0  |
| 8MPC25S62MPB                                       | MPB     | 25           | 2.506     | 2.443    | 2.91   | —     | MPB1F | 0.63                | 2.91 | 2.08 | 3.54 | —    | 1.00* | 1.50  | 2.9  |
| 8MPC28S62MPB                                       | MPB     | 28           | 2.807     | 2.744    | 3.15   | —     | MPB1F | 0.75                | 2.91 | 2.34 | 3.66 | —    | 1.00* | 1.75  | 4.0  |
| 8MPC30S62MPB                                       | MPB     | 30           | 3.008     | 2.945    | 3.35   | —     | MPB1F | 0.75                | 2.91 | 2.54 | 3.66 | —    | 1.00* | 1.81  | 4.8  |
| 8MPC32S62MPB                                       | MPB     | 32           | 3.208     | 3.145    | 3.54   | —     | MPB1F | 0.75                | 2.91 | 2.73 | 3.66 | —    | 1.00* | 2.00  | 5.7  |
| 8MPC34S62  | 1610    | 34           | 3.409     | 3.346    | 3.81   | 2.63  | A1F   | —                   | 2.91 | —    | 1.00 | 1.91 | 0.50  | 1.69  | 3.2  |
| 8MPC34S62MPB                                       | MPB     | 34           | 3.409     | 3.346    | 3.81   | —     | MPB1F | 0.75                | 2.91 | 2.82 | 3.66 | —    | 1.00* | 2.13  | 6.5  |
| 8MPC36S62  | 1610    | 36           | 3.609     | 3.546    | 3.94   | 2.81  | A1F   | —                   | 2.91 | —    | 1.00 | 1.91 | 0.50  | 1.69  | 3.6  |
| 8MPC36S62MPB                                       | MPB     | 36           | 3.609     | 3.546    | 3.94   | —     | MPB1F | 0.75                | 2.91 | 3.13 | 3.66 | —    | 1.00* | 2.31  | 7.6  |
| 8MPC38S62  | 1610    | 38           | 3.810     | 3.747    | 4.13   | 3.00  | A1F   | —                   | 2.91 | —    | 1.00 | 1.91 | 0.50  | 1.69  | 4.0  |
| 8MPC38S62MPB                                       | MPB     | 38           | 3.810     | 3.747    | 4.13   | —     | MPB1F | 0.75                | 2.91 | 3.32 | 3.66 | —    | 1.00* | 2.44  | 8.6  |
| 8MPC40S62  | 2012    | 40           | 4.010     | 3.947    | 4.34   | 3.19  | A1F   | —                   | 2.91 | —    | 1.25 | 1.66 | 0.50  | 2.13  | 4.9  |
| 8MPC40S62MPB                                       | MPB     | 40           | 4.010     | 3.947    | 4.34   | —     | MPB1F | 1.00                | 2.91 | 3.52 | 3.91 | —    | 1.00* | 2.56  | 10.3 |
| 8MPC42S62  | 2012    | 42           | 4.211     | 4.148    | 4.53   | 3.31  | A1F   | —                   | 2.91 | —    | 1.25 | 1.66 | 0.50  | 2.13  | 5.4  |
| 8MPC42S62MPB                                       | MPB     | 42           | 4.211     | 4.148    | 4.53   | —     | MPB1F | 1.00                | 2.91 | 3.79 | 3.91 | —    | 1.00* | 2.75  | 11.6 |
| 8MPC45S62  | 2012    | 45           | 4.511     | 4.448    | 4.91   | 3.56  | A1F   | —                   | 2.91 | —    | 1.25 | 1.66 | 0.50  | 2.13  | 6.4  |
| 8MPC45S62MPB                                       | MPB     | 45           | 4.511     | 4.448    | 4.91   | —     | MPB1F | 1.00                | 2.91 | 3.79 | 3.91 | —    | 1.00* | 2.75  | 13.0 |
| 8MPC48S62  | 2517    | 48           | 4.812     | 4.749    | 5.16   | 3.88  | A1F   | —                   | 2.91 | —    | 1.75 | 1.16 | 0.50  | 2.69  | 7.1  |
| 8MPC50S62  | 2517    | 50           | 5.013     | 4.950    | 5.32   | 4.13  | A1F   | —                   | 2.91 | —    | 1.75 | 1.16 | 0.50  | 2.69  | 7.7  |
| 8MPC53S62  | 2517    | 53           | 5.314     | 5.251    | 5.64   | 4.38  | A1F   | —                   | 2.91 | —    | 1.75 | 1.16 | 0.50  | 2.69  | 8.9  |
| 8MPC56S62  | 2517    | 56           | 5.614     | 5.551    | 5.95   | 4.69  | A1F   | —                   | 2.91 | —    | 1.75 | 1.16 | 0.50  | 2.69  | 10.2 |
| 8MPC60S62  | 3020    | 60           | 6.015     | 5.952    | 6.41   | 5.00  | A1F   | —                   | 2.91 | —    | 2.00 | 0.91 | 0.88  | 3.25  | 14.3 |
| 8MPC63S62  | 3020    | 63           | 6.316     | 6.253    | 6.77   | 5.38  | A1F   | —                   | 2.91 | —    | 2.00 | 0.91 | 0.88  | 3.25  | 15.9 |
| 8MPC67S62  | 3020    | 67           | 6.717     | 6.654    | 7.23   | 5.81  | A1F   | —                   | 2.91 | —    | 2.00 | 0.91 | 0.88  | 3.25  | 18.0 |
| 8MPC71S62  | 3020    | 71           | 7.118     | 7.055    | 7.60   | 6.19  | A1F   | —                   | 2.91 | —    | 2.00 | 0.91 | 0.88  | 3.25  | 20   |
| 8MPC75S62  | 3020    | 75           | 7.519     | 7.456    | 7.87   | 6.56  | A1F   | —                   | 2.91 | —    | 2.00 | 0.91 | 0.88  | 3.25  | 23   |
| 8MPC80S62  | 3020    | 80           | 8.020     | 7.957    | 8.39   | 7.00  | A1F   | —                   | 2.91 | —    | 2.00 | 0.91 | 0.88  | 3.25  | 26   |
| 8MPC90S62  | 3020    | 90           | 9.023     | 8.960    | —      | 7.88  | A1    | —                   | 2.91 | —    | 2.00 | 0.91 | 0.88  | 3.25  | 34   |
| 8MPC112S62   | 3020    | 112          | 11.229    | 11.166   | —      | 10.00 | A2    | —                   | 2.91 | 6.25 | 2.00 | 0.91 | 0.88  | 3.25  | 37   |
| 8MPC140S62   | 3525    | 140          | 14.036    | 13.973   | —      | 11.88 | A3    | —                   | 2.91 | 8.75 | 2.50 | 0.41 | 1.19  | 3.94  | 79   |
| 8MPC180S62   | 3525    | 180          | 18.046    | 17.983   | —      | 15.44 | A3    | —                   | 2.91 | 8.75 | 2.50 | 0.41 | 1.19  | 3.94  | 106  |
| 8MPC224S62   | 3525    | 224          | 22.457    | 22.394   | —      | 19.69 | A3    | —                   | 2.91 | 8.75 | 2.50 | 0.41 | 1.188 | 3.938 | 141  |

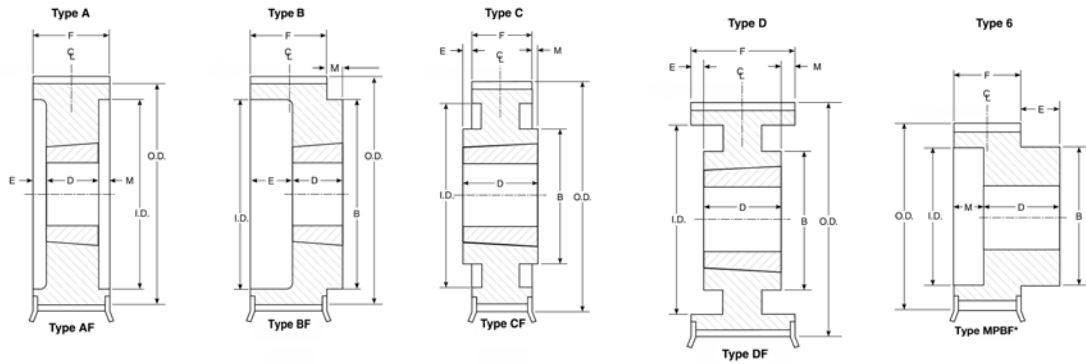
\*Bored-to-suit construction, minimum plain bore, no setscrews.

# QT Power Chain® II Carbon Sprockets

## 14mm Sprocket Dimensions

### SPROCKET TYPES

The synchronous sprockets listed in the tables below are all stock sizes. All dimensions given are for the sprocket with the Taper-Lock bushing in place and are in inches only. The figure following the type sketch letter in the “type” column indicates the construction: (1-solid, 2-web, 3-arms), and the letter “F” indicates the sprocket has flanges.



| PRODUCT NO.  | BUSHING | NO. OF TEETH | DIAMETERS |          |        |       | TYPE | DIMENSIONS (INCHES) |      |       |      |      | BORE |      | WT.  |
|--|---------|--------------|-----------|----------|--------|-------|------|---------------------|------|-------|------|------|------|------|------|
|  |         |              | P.D.      | O.D.     |        | I.D.  |      | E                   | F    | B     | D    | M    | Min. | Max. |      |
|  |         |              |           | Sprocket | Flange |       |      |                     |      |       |      |      |      |      |      |
| FOR BELTS 20 mm (0.79 in.) WIDE • 14mm PITCH (14MPC) |         |              |           |          |        |       |      |                     |      |       |      |      |      |      |      |
| 14MPC28S20   | 2012    | 28           | 4.912     | 4.802    | 5.40   | 3.50  | A1F  | —                   | 1.36 | —     | 1.25 | 0.11 | 0.50 | 2.13 | 5.1  |
| 14MPC29S20   | 2012    | 29           | 5.088     | 4.978    | 5.76   | 3.88  | A1F  | —                   | 1.36 | —     | 1.25 | 0.11 | 0.50 | 2.13 | 5.6  |
| 14MPC30S20   | 2012    | 30           | 5.263     | 5.153    | 5.76   | 3.94  | A1F  | —                   | 1.36 | —     | 1.25 | 0.11 | 0.50 | 2.13 | 6.0  |
| 14MPC31S20   | 2012    | 31           | 5.439     | 5.329    | 6.11   | 4.06  | A1F  | —                   | 1.36 | —     | 1.25 | 0.11 | 0.50 | 2.13 | 6.4  |
| 14MPC32S20   | 2012    | 32           | 5.614     | 5.504    | 6.11   | 4.19  | A1F  | —                   | 1.36 | —     | 1.25 | 0.11 | 0.50 | 2.13 | 6.8  |
| 14MPC33S20   | 2012    | 33           | 5.790     | 5.680    | 6.46   | 4.38  | A1F  | —                   | 1.36 | —     | 1.25 | 0.11 | 0.50 | 2.13 | 7.4  |
| 14MPC34S20   | 2012    | 34           | 5.965     | 5.855    | 6.46   | 4.50  | A1F  | —                   | 1.36 | —     | 1.25 | 0.11 | 0.50 | 2.13 | 7.8  |
| 14MPC35S20   | 2012    | 35           | 6.141     | 6.031    | 6.82   | 4.69  | A1F  | —                   | 1.36 | —     | 1.25 | 0.11 | 0.50 | 2.13 | 8.4  |
| 14MPC36S20   | 2517    | 36           | 6.316     | 6.206    | 6.82   | —     | B1F  | —                   | 1.36 | 4.88  | 1.75 | 0.39 | 0.50 | 2.69 | 9.6  |
| 14MPC37S20   | 2517    | 37           | 6.492     | 6.382    | 7.17   | —     | B1F  | —                   | 1.36 | 4.88  | 1.75 | 0.39 | 0.50 | 2.69 | 10.3 |
| 14MPC38S20   | 2517    | 38           | 6.667     | 6.557    | 7.17   | —     | B1F  | —                   | 1.36 | 4.88  | 1.75 | 0.39 | 0.50 | 2.69 | 10.7 |
| 14MPC39S20   | 2517    | 39           | 6.842     | 6.732    | 7.52   | —     | B1F  | —                   | 1.36 | 4.88  | 1.75 | 0.39 | 0.50 | 2.69 | 11.4 |
| 14MPC40S20   | 2517    | 40           | 7.018     | 6.908    | 7.52   | —     | B1F  | —                   | 1.36 | 4.88  | 1.75 | 0.39 | 0.50 | 2.69 | 11.9 |
| 14MPC43S20   | 2517    | 43           | 7.544     | 7.434    | 8.04   | —     | B1F  | —                   | 1.36 | 4.88  | 1.75 | 0.39 | 0.50 | 2.69 | 14.0 |
| 14MPC45S20   | 3020    | 45           | 7.895     | 7.785    | 8.40   | —     | B1F  | —                   | 1.36 | 6.25  | 2.00 | 0.64 | 0.88 | 3.25 | 20   |
| 14MPC48S20   | 3020    | 48           | 8.421     | 8.311    | 8.94   | —     | B1F  | —                   | 1.36 | 6.25  | 2.00 | 0.64 | 0.88 | 3.25 | 22   |
| 14MPC50S20   | 3020    | 50           | 8.772     | 8.662    | 9.44   | —     | B1F  | —                   | 1.36 | 6.25  | 2.00 | 0.64 | 0.88 | 3.25 | 23   |
| 14MPC53S20   | 3020    | 53           | 9.299     | 9.189    | 9.69   | —     | B1F  | —                   | 1.36 | 6.25  | 2.00 | 0.64 | 0.88 | 3.25 | 26   |
| 14MPC56S20   | 3525    | 56           | 9.825     | 9.715    | 10.63  | —     | B1F  | —                   | 1.36 | 8.75  | 2.50 | 1.14 | 1.19 | 3.94 | 46   |
| 14MPC60S20   | 3525    | 60           | 10.527    | 10.417   | 11.06  | —     | B1F  | —                   | 1.36 | 8.75  | 2.50 | 1.14 | 1.19 | 3.94 | 50   |
| 14MPC63S20   | 3525    | 63           | 11.053    | 10.943   | 11.71  | —     | B1F  | —                   | 1.36 | 8.75  | 2.50 | 1.14 | 1.19 | 3.94 | 53   |
| 14MPC67S20   | 3525    | 67           | 11.755    | 11.645   | 12.50  | —     | B1F  | —                   | 1.36 | 8.75  | 2.50 | 1.14 | 1.19 | 3.94 | 57   |
| 14MPC71S20   | 3525    | 71           | 12.457    | 12.347   | 13.19  | —     | B1F  | —                   | 1.36 | 8.75  | 2.50 | 1.14 | 1.19 | 3.94 | 62   |
| 14MPC75S20   | 3525    | 75           | 13.158    | 13.048   | 13.73  | 11.63 | B2F  | —                   | 1.36 | 8.75  | 2.50 | 1.14 | 1.19 | 3.94 | 60   |
| 14MPC80S20   | 3525    | 80           | 14.036    | 13.926   | 14.63  | 12.50 | B2F  | —                   | 1.36 | 8.75  | 2.50 | 1.14 | 1.19 | 3.94 | 64   |
| 14MPC90S20   | 3525    | 90           | 15.790    | 15.680   | —      | 14.19 | B3   | —                   | 1.36 | 8.75  | 2.50 | 1.14 | 1.19 | 3.94 | 62   |
| 14MPC112S20  | 3525    | 112          | 19.650    | 19.540   | —      | 16.88 | B3   | —                   | 1.36 | 8.75  | 2.50 | 1.14 | 1.19 | 3.94 | 82   |
| 14MPC140S20  | 3525    | 140          | 24.562    | 24.452   | —      | 21.44 | B3   | —                   | 1.36 | 8.75  | 2.50 | 1.14 | 1.19 | 3.94 | 106  |
| 14MPC168S20  | 3525    | 168          | 29.475    | 29.365   | —      | 26.44 | B3   | —                   | 1.36 | 8.75  | 2.50 | 1.14 | 1.19 | 3.94 | 132  |
| 14MPC180S20  | 3525    | 180          | 31.580    | 31.470   | —      | 28.44 | B3   | —                   | 1.36 | 8.75  | 2.50 | 1.14 | 1.19 | 3.94 | 147  |
| 14MPC200S20  | 3525    | 200          | 35.089    | 34.979   | —      | 31.88 | B3   | —                   | 1.36 | 8.75  | 2.50 | 1.14 | 1.19 | 3.94 | 169  |
| 14MPC224S20  | 4030    | 224          | 39.300    | 39.190   | —      | 36.50 | B3   | —                   | 1.36 | 10.00 | 3.00 | 1.64 | 1.44 | 4.44 | 190  |

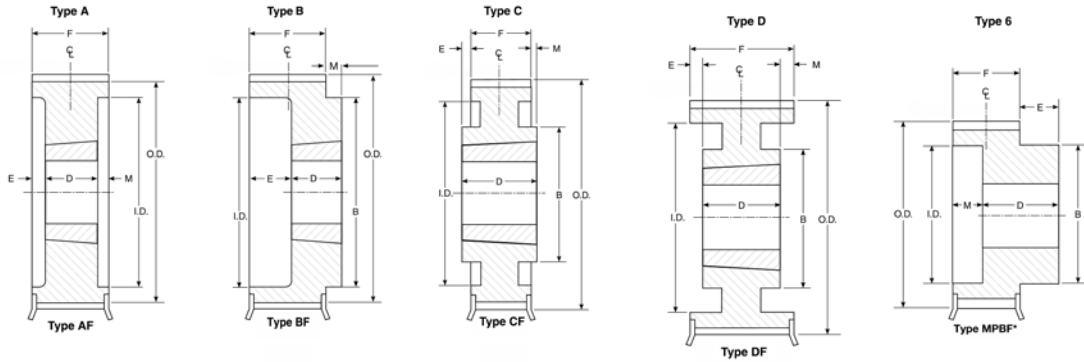
\*Bored-to-suit construction, minimum plain bore, no setscrews.

# QT Power Chain® II Carbon Sprockets

## 14mm Sprocket Dimensions

### SPROCKET TYPES

The synchronous sprockets listed in the tables below are all stock sizes. All dimensions given are for the sprocket with the Taper-Lock bushing in place and are in inches only. The figure following the type sketch letter in the "type" column indicates the construction: (1-solid, 2-web, 3-arms), and the letter "F" indicates the sprocket has flanges.



| PRODUCT NO.  | BUSH-ING | NO. OF TEETH | DIAMETERS |          |        |       | TYPE  | DIMENSIONS (INCHES) |      |       |      |      | BORE |      | WT.  |
|--|----------|--------------|-----------|----------|--------|-------|-------|---------------------|------|-------|------|------|------|------|------|
|  |          |              | P.D.      | O.D.     |        | I.D.  |       | E                   | F    | B     | D    | M    | Min. | Max. |      |
|  |          |              |           | Sprocket | Flange |       |       |                     |      |       |      |      |      |      |      |
| FOR BELTS 37 mm (1.46 in.) WIDE • 14mm PITCH (14MPC) |          |              |           |          |        |       |       |                     |      |       |      |      |      |      |      |
| 14MPC28S37   | 2012     | 28           | 4.912     | 4.802    | 5.40   | 3.50  | A1F   | —                   | 2.06 | —     | 1.25 | 0.81 | 0.50 | 2.13 | 6.4  |
| 14MPC28S37MPB  | MPB      | 28           | 4.912     | 4.802    | 5.40   | —     | MPB1F | 1.00                | 2.06 | 3.97  | 3.06 | —    | 1.*  | 2.94 | 11.2 |
| 14MPC29S37   | 2517     | 29           | 5.088     | 4.978    | 5.76   | 3.88  | A1F   | —                   | 2.06 | —     | 1.75 | 0.31 | 0.50 | 2.69 | 6.5  |
| 14MPC30S37   | 2517     | 30           | 5.263     | 5.153    | 5.76   | 3.94  | A1F   | —                   | 2.06 | —     | 1.75 | 0.31 | 0.50 | 2.69 | 7.1  |
| 14MPC31S37   | 2517     | 31           | 5.439     | 5.329    | 6.11   | 4.06  | A1F   | —                   | 2.06 | —     | 1.75 | 0.31 | 0.50 | 2.69 | 7.8  |
| 14MPC32S37   | 2517     | 32           | 5.614     | 5.504    | 6.11   | 4.19  | A1F   | —                   | 2.06 | —     | 1.75 | 0.31 | 0.50 | 2.69 | 8.4  |
| 14MPC33S37   | 2517     | 33           | 5.790     | 5.680    | 6.46   | 4.38  | A1F   | —                   | 2.06 | —     | 1.75 | 0.31 | 0.50 | 2.69 | 9.2  |
| 14MPC34S37   | 2517     | 34           | 5.965     | 5.855    | 6.46   | 4.50  | A1F   | —                   | 2.06 | —     | 1.75 | 0.31 | 0.50 | 2.69 | 9.8  |
| 14MPC35S37   | 2517     | 35           | 6.141     | 6.031    | 6.82   | 4.69  | A1F   | —                   | 2.06 | —     | 1.75 | 0.31 | 0.50 | 2.69 | 10.7 |
| 14MPC36S37   | 2517     | 36           | 6.316     | 6.206    | 6.82   | 4.88  | A1F   | —                   | 2.06 | —     | 1.75 | 0.31 | 0.50 | 2.69 | 11.3 |
| 14MPC37S37   | 2517     | 37           | 6.492     | 6.382    | 7.17   | 5.06  | A1F   | —                   | 2.06 | —     | 1.75 | 0.31 | 0.50 | 2.69 | 12.2 |
| 14MPC38S37   | 3020     | 38           | 6.667     | 6.557    | 7.17   | 5.19  | A1F   | —                   | 2.06 | —     | 2.00 | 0.06 | 0.88 | 3.25 | 15.3 |
| 14MPC39S37   | 3020     | 39           | 6.842     | 6.732    | 7.52   | 5.38  | A1F   | —                   | 2.06 | —     | 2.00 | 0.06 | 0.88 | 3.25 | 16.3 |
| 14MPC40S37   | 3020     | 40           | 7.018     | 6.908    | 7.52   | 5.50  | A1F   | —                   | 2.06 | —     | 2.00 | 0.06 | 0.88 | 3.25 | 17.1 |
| 14MPC43S37   | 3020     | 43           | 7.544     | 7.434    | 8.04   | 6.00  | A1F   | —                   | 2.06 | —     | 2.00 | 0.06 | 0.88 | 3.25 | 20   |
| 14MPC45S37   | 3020     | 45           | 7.895     | 7.785    | 8.40   | 6.38  | A1F   | —                   | 2.06 | —     | 2.00 | 0.06 | 0.88 | 3.25 | 22   |
| 14MPC48S37   | 3020     | 48           | 8.421     | 8.311    | 8.94   | 6.88  | A1F   | —                   | 2.06 | —     | 2.00 | 0.06 | 0.88 | 3.25 | 26   |
| 14MPC50S37   | 3020     | 50           | 8.772     | 8.662    | 9.44   | 7.25  | A1F   | —                   | 2.06 | —     | 2.00 | 0.06 | 0.88 | 3.25 | 28   |
| 14MPC53S37   | 3020     | 53           | 9.299     | 9.189    | 9.69   | 7.50  | A1F   | —                   | 2.06 | —     | 2.00 | 0.06 | 0.88 | 3.25 | 31   |
| 14MPC56S37   | 3525     | 56           | 9.825     | 9.715    | 10.63  | —     | B1F   | —                   | 2.06 | 8.75  | 2.50 | 0.44 | 1.19 | 3.94 | 48   |
| 14MPC60S37   | 3525     | 60           | 10.527    | 10.417   | 11.06  | —     | B1F   | —                   | 2.06 | 8.75  | 2.50 | 0.44 | 1.19 | 3.94 | 54   |
| 14MPC63S37   | 3525     | 63           | 11.053    | 10.943   | 11.71  | —     | B1F   | —                   | 2.06 | 8.75  | 2.50 | 0.44 | 1.19 | 3.94 | 58   |
| 14MPC67S37   | 3525     | 67           | 11.755    | 11.645   | 12.50  | —     | B1F   | —                   | 2.06 | 8.75  | 2.50 | 0.44 | 1.19 | 3.94 | 65   |
| 14MPC71S37   | 3525     | 71           | 12.457    | 12.347   | 13.19  | —     | B1F   | —                   | 2.06 | 8.75  | 2.50 | 0.44 | 1.19 | 3.94 | 72   |
| 14MPC75S37   | 3525     | 75           | 13.158    | 13.048   | 13.73  | 11.63 | B2F   | —                   | 2.06 | 8.75  | 2.50 | 0.44 | 1.19 | 3.94 | 64   |
| 14MPC80S37   | 3525     | 80           | 14.036    | 13.926   | 14.63  | 12.50 | B2F   | —                   | 2.06 | 8.75  | 2.50 | 0.44 | 1.19 | 3.94 | 68   |
| 14MPC90S37   | 3525     | 90           | 15.790    | 15.680   | —      | 14.19 | B3    | —                   | 2.06 | 8.75  | 2.50 | 0.44 | 1.19 | 3.94 | 70   |
| 14MPC112S37  | 3525     | 112          | 19.650    | 19.540   | —      | 16.75 | B3    | —                   | 2.06 | 8.75  | 2.50 | 0.44 | 1.19 | 3.94 | 99   |
| 14MPC140S37  | 3525     | 140          | 24.562    | 24.452   | —      | 21.31 | B3    | —                   | 2.06 | 8.75  | 2.50 | 0.44 | 1.19 | 3.94 | 135  |
| 14MPC168S37  | 4030     | 168          | 29.475    | 29.365   | —      | 26.00 | B3    | —                   | 2.06 | 10.00 | 3.00 | 0.94 | 1.44 | 4.44 | 192  |
| 14MPC180S37  | 4030     | 180          | 31.580    | 31.470   | —      | 28.06 | B3    | —                   | 2.06 | 10.00 | 3.00 | 0.94 | 1.44 | 4.44 | 210  |
| 14MPC200S37  | 4030     | 200          | 35.089    | 34.979   | —      | 31.56 | B3    | —                   | 2.06 | 10.00 | 3.00 | 0.94 | 1.44 | 4.44 | 238  |
| 14MPC224S37  | 4030     | 224          | 39.300    | 39.190   | —      | 35.25 | B3    | —                   | 2.06 | 10.00 | 3.00 | 0.94 | 1.44 | 4.44 | 284  |

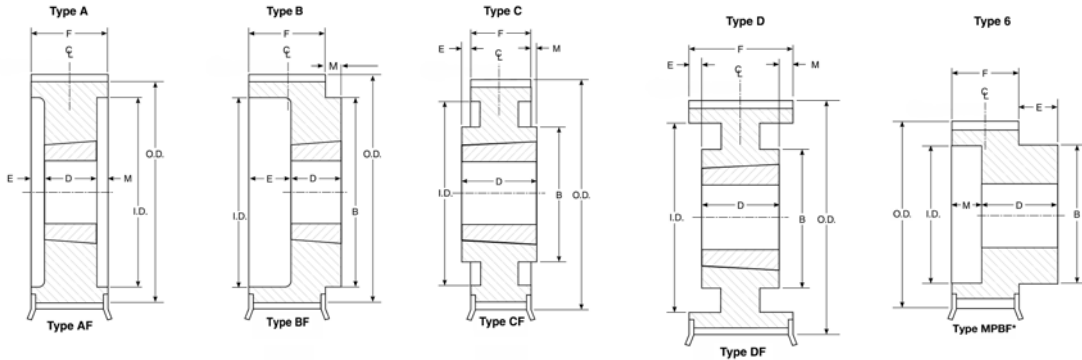
\*Bored-to-suit construction, minimum plain bore, no setscrews.

# QT Power Chain® II Carbon Sprockets

## 14mm Sprocket Dimensions

### SPROCKET TYPES

The synchronous sprockets listed in the tables below are all stock sizes. All dimensions given are for the sprocket with the Taper-Lock bushing in place and are in inches only. The figure following the type sketch letter in the “type” column indicates the construction: (1-solid, 2-web, 3-arms), and the letter “F” indicates the sprocket has flanges.



| PRODUCT NO.  | BUSHING | NO. OF TEETH | DIAMETERS |          |        |       | TYPE  | DIMENSIONS (INCHES) |      |       |      |      | BORE  |      | WT.  |
|--|---------|--------------|-----------|----------|--------|-------|-------|---------------------|------|-------|------|------|-------|------|------|
|  |         |              | P.D.      | O.D.     |        | I.D.  |       | E                   | F    | B     | D    | M    | Min.  | Max. |      |
|  |         |              |           | Sprocket | Flange |       |       |                     |      |       |      |      |       |      |      |
| FOR BELTS 68 mm (2.68 in.) WIDE • 14mm PITCH (14MPC) |         |              |           |          |        |       |       |                     |      |       |      |      |       |      |      |
| 14MPC28S68MPB  | MPB     | 28           | 4.912     | 4.802    | 5.40   | —     | MPB1F | 1.00                | 3.33 | 3.97  | 4.33 | —    | 1.00* | 2.94 | 16.4 |
| 14MPC29S68   | 2517    | 29           | 5.088     | 4.978    | 5.76   | 3.88  | A1F   | —                   | 3.33 | —     | 1.75 | 1.58 | 0.50  | 2.69 | 8.5  |
| 14MPC29S68MPB  | MPB     | 29           | 5.088     | 4.978    | 5.76   | —     | MPB1F | 1.00                | 3.33 | 4.35  | 4.33 | —    | 1.00* | 3.19 | 18.3 |
| 14MPC30S68   | 2517    | 30           | 5.263     | 5.153    | 5.76   | 3.94  | A1F   | —                   | 3.33 | —     | 1.75 | 1.58 | 0.50  | 2.69 | 9.4  |
| 14MPC30S68MPB  | MPB     | 30           | 5.263     | 5.153    | 5.76   | —     | MPB1F | 1.00                | 3.33 | 4.35  | 4.33 | —    | 1.00* | 3.19 | 19.3 |
| 14MPC31S68   | 2517    | 31           | 5.439     | 5.329    | 6.11   | 4.06  | A1F   | —                   | 3.33 | —     | 1.75 | 1.58 | 0.50  | 2.69 | 10.3 |
| 14MPC31S68MPB  | MPB     | 31           | 5.439     | 5.329    | 6.11   | —     | MPB1F | 1.13                | 3.33 | 4.57  | 4.46 | —    | 1.00* | 3.44 | 22.0 |
| 14MPC32S68   | 2517    | 32           | 5.614     | 5.504    | 6.11   | 4.19  | A1F   | —                   | 3.33 | —     | 1.75 | 1.58 | 0.50  | 2.69 | 11.1 |
| 14MPC32S68MPB  | MPB     | 32           | 5.614     | 5.504    | 6.11   | —     | MPB1F | 1.13                | 3.33 | 4.57  | 4.46 | —    | 1.00* | 3.44 | 23.0 |
| 14MPC33S68   | 2517    | 33           | 5.790     | 5.680    | 6.46   | 4.38  | A1F   | —                   | 3.33 | —     | 1.75 | 1.58 | 0.50  | 2.69 | 11.9 |
| 14MPC33S68MPB  | MPB     | 33           | 5.790     | 5.680    | 6.46   | —     | MPB1F | 1.13                | 3.33 | 4.89  | 4.46 | —    | 1.00* | 3.50 | 25.0 |
| 14MPC34S68   | 2517    | 34           | 5.965     | 5.855    | 6.46   | 4.50  | A1F   | —                   | 3.33 | —     | 1.75 | 1.58 | 0.50  | 2.69 | 12.8 |
| 14MPC34S68MPB  | MPB     | 34           | 5.965     | 5.855    | 6.46   | —     | MPB1F | 1.13                | 3.33 | 4.89  | 4.46 | —    | 1.00* | 3.50 | 26.0 |
| 14MPC35S68   | 3020    | 35           | 6.141     | 6.031    | 6.82   | 4.75  | A1F   | —                   | 3.33 | —     | 2.00 | 1.33 | 0.88  | 3.25 | 15.7 |
| 14MPC36S68   | 3020    | 36           | 6.316     | 6.206    | 6.82   | 4.88  | A1F   | —                   | 3.33 | —     | 2.00 | 1.33 | 0.88  | 3.25 | 16.7 |
| 14MPC37S68   | 3020    | 37           | 6.492     | 6.382    | 7.17   | 5.06  | A1F   | —                   | 3.33 | —     | 2.00 | 1.33 | 0.88  | 3.25 | 17.7 |
| 14MPC38S68   | 3020    | 38           | 6.667     | 6.557    | 7.17   | 5.19  | A1F   | —                   | 3.33 | —     | 2.00 | 1.33 | 0.88  | 3.25 | 18.7 |
| 14MPC39S68   | 3020    | 39           | 6.842     | 6.732    | 7.52   | 5.38  | A1F   | —                   | 3.33 | —     | 2.00 | 1.33 | 0.88  | 3.25 | 19.8 |
| 14MPC40S68   | 3020    | 40           | 7.018     | 6.908    | 7.52   | 5.50  | A1F   | —                   | 3.33 | —     | 2.00 | 1.33 | 0.88  | 3.25 | 21   |
| 14MPC43S68   | 3020    | 43           | 7.544     | 7.434    | 8.04   | 6.00  | A1F   | —                   | 3.33 | —     | 2.00 | 1.33 | 0.88  | 3.25 | 24   |
| 14MPC45S68   | 3020    | 45           | 7.895     | 7.785    | 8.40   | 6.38  | A1F   | —                   | 3.33 | —     | 2.00 | 1.33 | 0.88  | 3.25 | 26   |
| 14MPC48S68   | 3525    | 48           | 8.421     | 8.311    | 8.94   | 6.88  | A1F   | —                   | 3.33 | —     | 2.50 | 0.83 | 1.19  | 3.94 | 40   |
| 14MPC50S68   | 3525    | 50           | 8.772     | 8.662    | 9.44   | 7.25  | A1F   | —                   | 3.33 | —     | 2.50 | 0.83 | 1.19  | 3.94 | 43   |
| 14MPC53S68   | 3525    | 53           | 9.299     | 9.189    | 9.69   | 7.50  | A1F   | —                   | 3.33 | —     | 2.50 | 0.83 | 1.19  | 3.94 | 48   |
| 14MPC56S68   | 3525    | 56           | 9.825     | 9.715    | 10.63  | 8.25  | A1F   | —                   | 3.33 | —     | 2.50 | 0.83 | 1.19  | 3.94 | 53   |
| 14MPC60S68   | 3525    | 60           | 10.527    | 10.417   | 11.06  | 8.88  | A1F   | —                   | 3.33 | —     | 2.50 | 0.83 | 1.19  | 3.94 | 60   |
| 14MPC63S68   | 3525    | 63           | 11.053    | 10.943   | 11.71  | 9.38  | A1F   | —                   | 3.33 | —     | 2.50 | 0.83 | 1.19  | 3.94 | 66   |
| 14MPC67S68   | 3525    | 67           | 11.755    | 11.645   | 12.50  | 10.25 | A1F   | —                   | 3.33 | —     | 2.50 | 0.83 | 1.19  | 3.94 | 74   |
| 14MPC71S68   | 3525    | 71           | 12.457    | 12.347   | 13.19  | 10.94 | A1F   | —                   | 3.33 | —     | 2.50 | 0.83 | 1.19  | 3.94 | 83   |
| 14MPC75S68   | 3525    | 75           | 13.158    | 13.048   | 13.73  | 11.63 | A2F   | —                   | 3.33 | 8.75  | 2.50 | 0.83 | 1.19  | 3.94 | 75   |
| 14MPC80S68   | 3525    | 80           | 14.036    | 13.926   | 14.63  | 12.50 | A2F   | —                   | 3.33 | 8.75  | 2.50 | 0.83 | 1.19  | 3.94 | 81   |
| 14MPC90S68   | 4030    | 90           | 15.790    | 15.680   | —      | 14.19 | A2    | —                   | 3.33 | 10.00 | 3.00 | 0.33 | 1.44  | 4.44 | 110  |
| 14MPC112S68  | 4030    | 112          | 19.650    | 19.540   | —      | 16.75 | A3    | —                   | 3.33 | 10.00 | 3.00 | 0.33 | 1.44  | 4.44 | 148  |
| 14MPC140S68  | 4030    | 140          | 24.562    | 24.452   | —      | 21.25 | A3    | —                   | 3.33 | 10.00 | 3.00 | 0.33 | 1.44  | 4.44 | 200  |
| 14MPC168S68  | 4535    | 168          | 29.475    | 29.365   | —      | 25.75 | B3    | —                   | 3.33 | 10.50 | 3.50 | 0.17 | 1.94  | 4.94 | 279  |
| 14MPC180S68  | 4535    | 180          | 31.580    | 31.470   | —      | 27.69 | B3    | —                   | 3.33 | 10.50 | 3.50 | 0.17 | 1.94  | 4.94 | 306  |
| 14MPC200S68  | 4535    | 200          | 35.089    | 34.979   | —      | 31.19 | B3    | —                   | 3.33 | 10.50 | 3.50 | 0.17 | 1.94  | 4.94 | 354  |
| 14MPC224S68  | 5040    | 224          | 39.300    | 39.190   | —      | 35.38 | B3    | —                   | 3.33 | 11.00 | 4.00 | 0.67 | 2.44  | 5.00 | 425  |

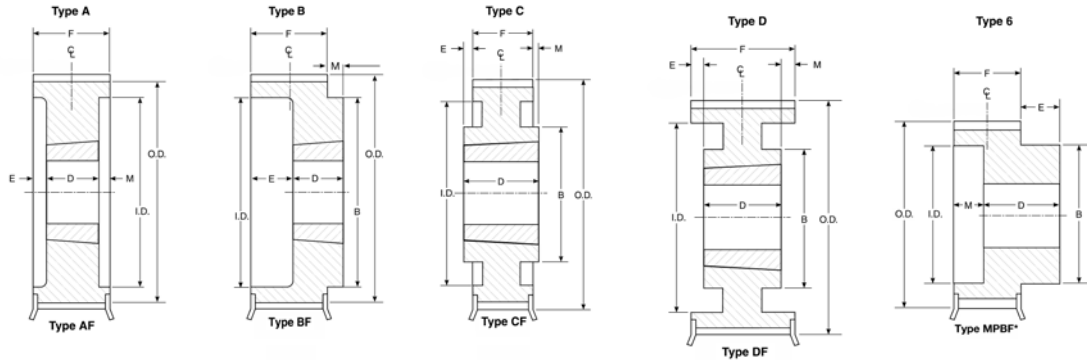
\*Bored-to-suit construction, minimum plain bore, no setscrews.

# QT Power Chain® II Carbon Sprockets

## 14mm Sprocket Dimensions

### SPROCKET TYPES

The synchronous sprockets listed in the tables below are all stock sizes. All dimensions given are for the sprocket with the Taper-Lock bushing in place and are in inches only. The figure following the type sketch letter in the "type" column indicates the construction: (1-solid, 2-web, 3-arms), and the letter "F" indicates the sprocket has flanges.



| PRODUCT NO.  | BUSH-ING | NO. OF TEETH | DIAMETERS |          |        |       | TYPE  | DIMENSIONS (INCHES) |      |       |      |      | BORE  |      | WT.  |
|--|----------|--------------|-----------|----------|--------|-------|-------|---------------------|------|-------|------|------|-------|------|------|
|  |          |              | P.D.      | O.D.     |        | I.D.  |       | E                   | F    | B     | D    | M    | Min.  | Max. |      |
|  |          |              |           | Sprocket | Flange |       |       |                     |      |       |      |      |       |      |      |
| FOR BELTS 90 mm (3.54 in.) WIDE • 14mm PITCH (14MPC) |          |              |           |          |        |       |       |                     |      |       |      |      |       |      |      |
| 14MPC28S90MPB  | MPB      | 28           | 4.912     | 4.802    | 5.40   | —     | MPB1F | 1.00                | 4.20 | 3.97  | 5.20 | —    | 1.50* | 2.94 | 18.6 |
| 14MPC29S90MPB  | MPB      | 29           | 5.088     | 4.978    | 5.76   | —     | MPB1F | 1.00                | 4.20 | 4.35  | 5.20 | —    | 1.50* | 3.19 | 21.0 |
| 14MPC30S90MPB  | MPB      | 30           | 5.263     | 5.153    | 5.76   | —     | MPB1F | 1.00                | 4.20 | 4.35  | 5.20 | —    | 1.50* | 3.19 | 22.0 |
| 14MPC31S90MPB  | MPB      | 31           | 5.439     | 5.329    | 6.11   | —     | MPB1F | 1.13                | 4.20 | 4.57  | 5.33 | —    | 1.50* | 3.44 | 25.0 |
| 14MPC32S90MPB  | MPB      | 32           | 5.614     | 5.504    | 6.11   | —     | MPB1F | 1.13                | 4.20 | 4.57  | 5.33 | —    | 1.50* | 3.44 | 26.0 |
| 14MPC33S90MPB  | MPB      | 33           | 5.790     | 5.680    | 6.46   | —     | MPB1F | 1.13                | 4.20 | 4.89  | 5.33 | —    | 1.50* | 3.50 | 28.0 |
| 14MPC34S90MPB  | MPB      | 34           | 5.965     | 5.855    | 6.46   | —     | MPB1F | 1.13                | 4.20 | 4.89  | 5.33 | —    | 1.50* | 3.50 | 30.0 |
| 14MPC35S90   | 3020     | 35           | 6.141     | 6.031    | 6.82   | 4.75  | A1F   | —                   | 4.20 | —     | 2.00 | 2.20 | 0.88  | 3.25 | 17.7 |
| 14MPC35S90MPB  | MPB      | 35           | 6.141     | 6.031    | 6.82   | —     | MPB1F | 1.13                | 4.20 | 5.30  | 5.33 | —    | 1.50* | 3.81 | 33.0 |
| 14MPC36S90   | 3020     | 36           | 6.316     | 6.206    | 6.82   | 4.88  | A1F   | —                   | 4.20 | —     | 2.00 | 2.20 | 0.88  | 3.25 | 18.8 |
| 14MPC36S90MPB  | MPB      | 36           | 6.316     | 6.206    | 6.82   | —     | MPB1F | 1.13                | 4.20 | 5.30  | 5.33 | —    | 1.50* | 3.81 | 34.0 |
| 14MPC37S90   | 3020     | 37           | 6.492     | 6.382    | 7.17   | 5.06  | A1F   | —                   | 4.20 | —     | 2.00 | 2.20 | 0.88  | 3.25 | 19.9 |
| 14MPC37S90MPB  | MPB      | 37           | 6.492     | 6.382    | 7.17   | —     | MPB1F | 1.13                | 4.20 | 5.63  | 5.33 | —    | 1.50* | 4.13 | 37   |
| 14MPC38S90   | 3020     | 38           | 6.667     | 6.557    | 7.17   | 5.19  | A1F   | —                   | 4.20 | —     | 2.00 | 2.20 | 0.88  | 3.25 | 21   |
| 14MPC38S90MPB  | MPB      | 38           | 6.667     | 6.557    | 7.17   | —     | MPB1F | 1.13                | 4.20 | 5.63  | 5.33 | —    | 1.50* | 4.13 | 39   |
| 14MPC39S90   | 3020     | 39           | 6.842     | 6.732    | 7.52   | 5.38  | A1F   | —                   | 4.20 | —     | 2.00 | 2.20 | 0.88  | 3.25 | 22   |
| 14MPC39S90MPB  | MPB      | 39           | 6.842     | 6.732    | 7.52   | —     | MPB1F | 1.13                | 4.20 | 5.89  | 5.33 | —    | 1.50* | 4.38 | 42   |
| 14MPC40S90   | 3020     | 40           | 7.018     | 6.908    | 7.52   | 5.50  | A1F   | —                   | 4.20 | —     | 2.00 | 2.20 | 0.88  | 3.25 | 23   |
| 14MPC40S90MPB  | MPB      | 40           | 7.018     | 6.908    | 7.52   | —     | MPB1F | 1.13                | 4.20 | 5.89  | 5.33 | —    | 1.50* | 4.38 | 44   |
| 14MPC43S90   | 3525     | 43           | 7.544     | 7.434    | 8.04   | 6.00  | A1F   | —                   | 4.20 | —     | 2.50 | 1.70 | 1.19  | 3.94 | 36   |
| 14MPC45S90   | 3525     | 45           | 7.895     | 7.785    | 8.40   | 6.38  | A1F   | —                   | 4.20 | —     | 2.50 | 1.70 | 1.19  | 3.94 | 38   |
| 14MPC48S90   | 3525     | 48           | 8.421     | 8.311    | 8.94   | 6.88  | A1F   | —                   | 4.20 | —     | 2.50 | 1.70 | 1.19  | 3.94 | 43   |
| 14MPC50S90   | 3525     | 50           | 8.772     | 8.662    | 9.44   | 7.25  | A1F   | —                   | 4.20 | —     | 2.50 | 1.70 | 1.19  | 3.94 | 46   |
| 14MPC53S90   | 3525     | 53           | 9.299     | 9.189    | 9.69   | 7.50  | A1F   | —                   | 4.20 | —     | 2.50 | 1.70 | 1.19  | 3.94 | 52   |
| 14MPC56S90   | 4030     | 56           | 9.825     | 9.715    | 10.63  | 8.25  | A1F   | —                   | 4.20 | —     | 3.00 | 1.20 | 1.44  | 4.44 | 65   |
| 14MPC60S90   | 4030     | 60           | 10.527    | 10.417   | 11.06  | 8.88  | A1F   | —                   | 4.20 | —     | 3.00 | 1.20 | 1.44  | 4.44 | 74   |
| 14MPC63S90   | 4030     | 63           | 11.053    | 10.943   | 11.71  | 9.38  | A1F   | —                   | 4.20 | —     | 3.00 | 1.20 | 1.44  | 4.44 | 81   |
| 14MPC67S90   | 4030     | 67           | 11.755    | 11.645   | 12.50  | 10.25 | A1F   | —                   | 4.20 | —     | 3.00 | 1.20 | 1.44  | 4.44 | 90   |
| 14MPC71S90   | 4030     | 71           | 12.457    | 12.347   | 13.19  | 10.94 | A1F   | —                   | 4.20 | —     | 3.00 | 1.20 | 1.44  | 4.44 | 101  |
| 14MPC75S90   | 4030     | 75           | 13.158    | 13.048   | 13.73  | 11.63 | A1F   | —                   | 4.20 | —     | 3.00 | 1.20 | 1.44  | 4.44 | 115  |
| 14MPC80S90   | 4030     | 80           | 14.036    | 13.926   | 14.63  | 12.50 | A1F   | —                   | 4.20 | —     | 3.00 | 1.20 | 1.44  | 4.44 | 127  |
| 14MPC90S90   | 4030     | 90           | 15.790    | 15.680   | —      | 14.19 | A2    | —                   | 4.20 | 10.00 | 3.00 | 1.20 | 1.44  | 4.44 | 122  |
| 14MPC112S90  | 4535     | 112          | 19.650    | 19.540   | —      | 16.75 | A2    | —                   | 4.20 | 10.50 | 3.50 | 0.70 | 1.94  | 4.94 | 201  |
| 14MPC140S90  | 5040     | 140          | 24.562    | 24.452   | —      | 21.19 | A3    | —                   | 4.20 | 11.00 | 4.00 | 0.20 | 2.44  | 5.00 | 269  |
| 14MPC168S90  | 6050     | 168          | 29.475    | 29.365   | —      | 25.63 | B3    | —                   | 4.20 | 15.50 | 5.00 | 0.80 | 4.44  | 6.00 | 445  |
| 14MPC180S90  | 6050     | 180          | 31.580    | 31.470   | —      | 27.63 | B3    | —                   | 4.20 | 15.50 | 5.00 | 0.80 | 4.44  | 6.00 | 481  |
| 14MPC200S90  | 6050     | 200          | 35.089    | 34.979   | —      | 30.88 | B3    | —                   | 4.20 | 15.50 | 5.00 | 0.80 | 4.44  | 6.00 | 542  |
| 14MPC224S90  | 6050     | 224          | 39.300    | 39.190   | —      | 35.06 | B3    | —                   | 4.20 | 15.50 | 5.00 | 0.80 | 4.44  | 6.00 | 613  |

\*Bored-to-suit construction, minimum plain bore, no setscrews.

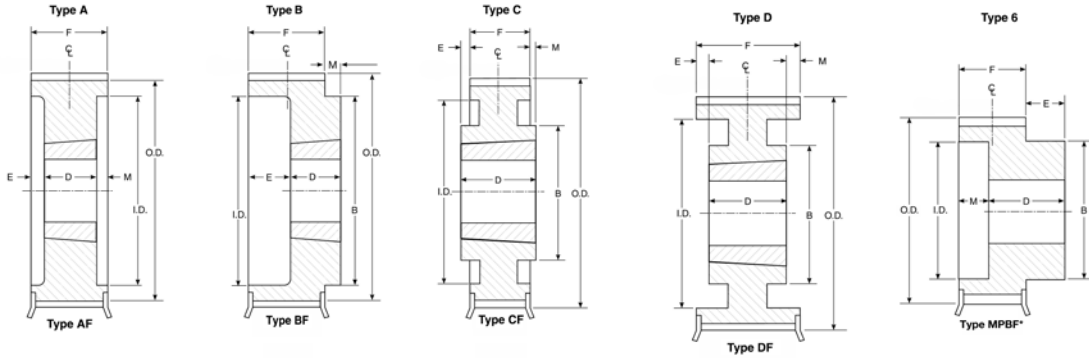


# QT Power Chain® II Carbon Sprockets

## 14mm Sprocket Dimensions

### SPROCKET TYPES

The synchronous sprockets listed in the tables below are all stock sizes. All dimensions given are for the sprocket with the Taper-Lock bushing in place and are in inches only. The figure following the type sketch letter in the "type" column indicates the construction: (1-solid, 2-web, 3-arms), and the letter "F" indicates the sprocket has flanges.



| PRODUCT NO.   | BUSHING | NO. OF TEETH | DIAMETERS |          |        |       | TYPE  | DIMENSIONS (INCHES) |      |       |      |      | BORE  |      | WT. |
|---|---------|--------------|-----------|----------|--------|-------|-------|---------------------|------|-------|------|------|-------|------|-----|
|   |         |              | P.D.      | O.D.     |        | I.D.  |       | E                   | F    | B     | D    | M    | Min.  | Max. |     |
|   |         |              |           | Sprocket | Flange |       |       |                     |      |       |      |      |       |      |     |
| FOR BELTS 125 mm (2.68 in.) WIDE • 14mm PITCH (14MPC) |         |              |           |          |        |       |       |                     |      |       |      |      |       |      |     |
| 14MPC28S125MPB  | MPB     | 28           | 4.912     | 4.802    | 5.40   | —     | MPB1F | 1.00                | 5.61 | 3.97  | 6.61 | —    | 1.50* | 2.94 | 24  |
| 14MPC29S125MPB  | MPB     | 29           | 5.088     | 4.978    | 5.76   | —     | MPB1F | 1.00                | 5.61 | 4.35  | 6.61 | —    | 1.50* | 3.19 | 27  |
| 14MPC30S125MPB  | MPB     | 30           | 5.263     | 5.153    | 5.76   | —     | MPB1F | 1.00                | 5.61 | 4.35  | 6.61 | —    | 1.50* | 3.19 | 29  |
| 14MPC31S125MPB  | MPB     | 31           | 5.439     | 5.329    | 6.11   | —     | MPB1F | 1.13                | 5.61 | 4.57  | 6.74 | —    | 1.50* | 3.44 | 31  |
| 14MPC32S125MPB  | MPB     | 32           | 5.614     | 5.504    | 6.11   | —     | MPB1F | 1.13                | 5.61 | 4.57  | 6.74 | —    | 1.50* | 3.44 | 33  |
| 14MPC33S125MPB  | MPB     | 33           | 5.790     | 5.608    | 6.46   | —     | MPB1F | 1.13                | 5.61 | 4.89  | 6.74 | —    | 1.50* | 3.50 | 36  |
| 14MPC34S125MPB  | MPB     | 34           | 5.965     | 5.855    | 6.46   | —     | MPB1F | 1.13                | 5.61 | 4.89  | 6.74 | —    | 1.50* | 3.50 | 39  |
| 14MPC35S125MPB  | MPB     | 35           | 6.141     | 6.031    | 6.82   | —     | MPB1F | 1.13                | 5.61 | 5.30  | 6.74 | —    | 1.50* | 3.81 | 42  |
| 14MPC36S125MPB  | MPB     | 36           | 6.316     | 6.206    | 6.82   | —     | MPB1F | 1.13                | 5.61 | 5.30  | 6.74 | —    | 1.50* | 3.81 | 44  |
| 14MPC37S125MPB  | MPB     | 37           | 6.492     | 6.382    | 7.17   | —     | MPB1F | 1.13                | 5.61 | 5.63  | 6.74 | —    | 1.50* | 4.13 | 48  |
| 14MPC38S125MPB  | MPB     | 38           | 6.667     | 6.557    | 7.17   | —     | MPB1F | 1.13                | 5.61 | 5.63  | 6.74 | —    | 1.50* | 4.13 | 50  |
| 14MPC39S125MPB  | MPB     | 39           | 6.842     | 6.732    | 7.52   | —     | MPB1F | 1.13                | 5.61 | 5.89  | 6.74 | —    | 1.50* | 4.38 | 53  |
| 14MPC40S125MPB  | MPB     | 40           | 7.018     | 6.908    | 7.52   | —     | MPB1F | 1.13                | 5.61 | 5.89  | 6.74 | —    | 1.50* | 4.38 | 56  |
| 14MPC43S125MPB  | MPB     | 43           | 7.544     | 7.434    | 8.04   | —     | MPB1F | 1.31                | 5.61 | 6.50  | 6.92 | —    | 1.50* | 4.81 | 68  |
| 14MPC45S125MPB  | MPB     | 45           | 7.895     | 7.785    | 8.40   | —     | MPB1F | 1.31                | 5.61 | 6.75  | 6.92 | —    | 1.50* | 5.00 | 74  |
| 14MPC48S125MPB  | MPB     | 48           | 8.421     | 8.311    | 8.94   | —     | MPB1F | 1.31                | 5.61 | 7.29  | 6.92 | —    | 1.50* | 5.63 | 86  |
| 14MPC50S125   | 4535    | 50           | 8.772     | 8.662    | 9.44   | 7.34  | A1F   | —                   | 5.61 | —     | 3.50 | 2.11 | 1.94  | 4.94 | 61  |
| 14MPC53S125   | 4535    | 53           | 9.299     | 9.189    | 9.69   | 7.50  | A1F   | —                   | 5.61 | —     | 3.50 | 2.11 | 1.94  | 4.94 | 70  |
| 14MPC56S125   | 4535    | 56           | 9.825     | 9.715    | 10.63  | 8.25  | A1F   | —                   | 5.61 | —     | 3.50 | 2.11 | 1.94  | 4.94 | 77  |
| 14MPC60S125   | 4535    | 60           | 10.527    | 10.417   | 11.06  | 8.88  | A1F   | —                   | 5.61 | —     | 3.50 | 2.11 | 1.94  | 4.94 | 88  |
| 14MPC63S125   | 4535    | 63           | 11.053    | 10.943   | 11.71  | 9.38  | A1F   | —                   | 5.61 | —     | 3.50 | 2.11 | 1.94  | 4.94 | 96  |
| 14MPC67S125   | 4535    | 67           | 11.755    | 11.645   | 12.50  | 10.25 | A1F   | —                   | 5.61 | —     | 3.50 | 2.11 | 1.94  | 4.94 | 107 |
| 14MPC71S125   | 5040    | 71           | 12.457    | 12.347   | 13.19  | 10.94 | A1F   | —                   | 5.61 | —     | 4.00 | 1.61 | 2.44  | 5.00 | 130 |
| 14MPC75S125   | 5040    | 75           | 13.158    | 13.048   | 13.73  | 11.63 | A1F   | —                   | 5.61 | —     | 4.00 | 1.61 | 2.44  | 5.00 | 145 |
| 14MPC80S125   | 5040    | 80           | 14.036    | 13.926   | 14.63  | 12.50 | A1F   | —                   | 5.61 | —     | 4.00 | 1.61 | 2.44  | 5.00 | 165 |
| 14MPC90S125   | 5040    | 90           | 15.790    | 15.680   | —      | 14.19 | A2    | —                   | 5.61 | 11.00 | 4.00 | 1.61 | 2.44  | 5.00 | 167 |
| 14MPC112S125  | 6050    | 112          | 19.650    | 19.540   | —      | 16.75 | A1    | —                   | 5.61 | —     | 5.00 | 0.61 | 4.44  | 6.00 | 375 |
| 14MPC140S125  | 6050    | 140          | 24.562    | 24.452   | —      | 21.19 | A2    | —                   | 5.61 | 15.50 | 5.00 | 0.61 | 4.44  | 6.00 | 463 |
| 14MPC168S125  | 7060    | 168          | 29.475    | 29.365   | —      | 25.63 | B3    | —                   | 5.61 | 17.00 | 6.00 | 0.39 | 4.94  | 7.00 | 603 |
| 14MPC180S125  | 7060    | 180          | 31.580    | 31.470   | —      | 27.63 | B3    | —                   | 5.61 | 17.00 | 6.00 | 0.39 | 4.94  | 7.00 | 646 |
| 14MPC200S125  | 7060    | 200          | 35.089    | 34.979   | —      | 30.88 | B3    | —                   | 5.61 | 17.00 | 6.00 | 0.39 | 4.94  | 7.00 | 735 |
| 14MPC224S125  | 7060    | 224          | 39.300    | 39.190   | —      | 34.88 | B3    | —                   | 5.61 | 17.00 | 6.00 | 0.39 | 4.94  | 7.00 | 824 |

\*Bored-to-suit construction, minimum plain bore, no setscrews.