

Flexalign Coupling - Close Coupled Full Flex - Sizes 8 Thru 12 Installation Instructions

FLEXALIGN COUPLING - CLOSE COUPLED FULL FLEX - SIZES 8 THRU 12

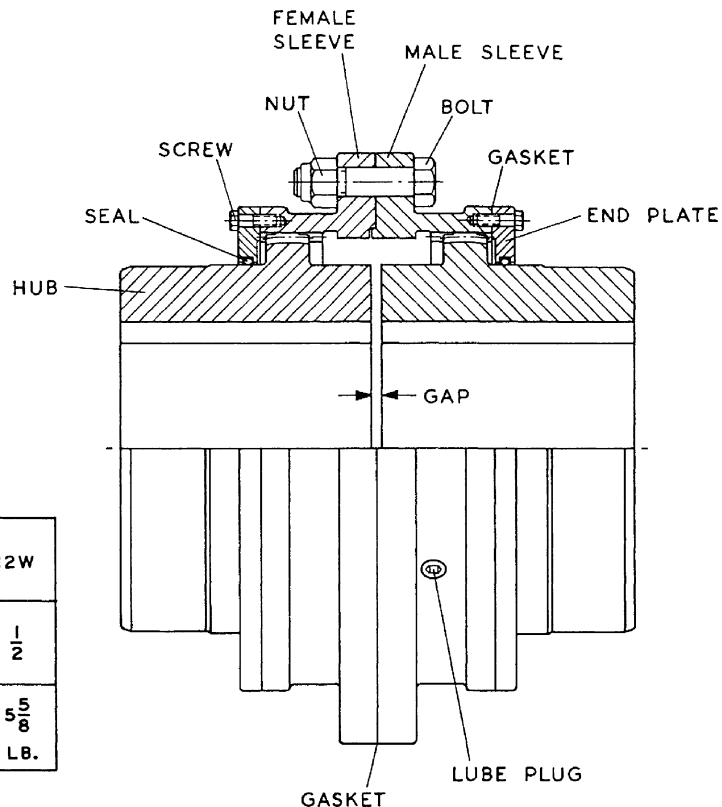
1. Place end plates, with seals installed, over both shaft ends. Be certain that face of end plate, which has step, is facing end of shaft.
2. Place end plate gaskets over each shaft.
3. Insert keys in place.
4. Install hubs on shafts with faces flush with shaft ends and shorter ends of hubs facing each other.
5. Use plastic oil proof sealing compound to prevent leakage of lubricant around keys.
6. Smear grease in and around teeth of each hub.
7. Place sleeves over hubs and engage gear teeth. Slide sleeves across hub teeth as far as possible. This will expose shorter end of hub for aligning.
8. Bring shafts together and check gap between hubs at quarter points (90° apart). This can be done with tapered gauge or flat stock. For gap measurement refer to table.
9. Align coupling using a straight edge across hub diameters. (Also at quarter points.)
10. Clean flanges thoroughly and install flange gasket.
11. Draw sleeves together and insert bolts and tighten to insure a tight seal between flanges. See table for tightening torque.
12. Apply a small amount of grease to both seals so they will slide easily over hub surface. Make sure seals are not crimped or bent over, otherwise leakage of lubricant may occur.
13. Thoroughly clean surfaces of sleeves and end plates that are to butt up against each end plate gasket.
14. Insert cap screws and tighten to insure a tight seal between sleeves and end plates.
15. Remove both lube plugs and fill coupling with required amount of lubricant shown in table. For list of recommended lubricants see reverse side. Install lube plugs and tighten.

RECOMMENDED SPARE PARTS

Two seals, two end plate gaskets, one flange gasket, two sets of cap screws and one set of bolts and nuts.

BOLT SIZE (INCHES)	TIGHTENING TORQUE (FT. LBS.)
1/8	220
1/4	300
3/8	400
1/2	520

SIZE	8W	9W	10W	11W	12W
GAP INCHES	3/8	1/2	1/2	1/2	1/2
LUBE REQ'D LB.	2 1/8	3 5/8	4 1/2	4 7/8	5 5/8



NOTE: COUPLINGS ARE POTENTIALLY DANGEROUS AS ARE ALL ROTATING BODIES AND SHOULD THEREFORE BE PROPERLY GUARDED.

LUBRICATION INSTRUCTIONS

FLEXALIGN COUPLING

It is highly recommended that sealed couplings have their lubricant flushed out after the initial "break-in" period of operation. The duration of this period varies widely with the application. One approximation would be 3 million revolutions, which is equal to about 40 hours at 1200 RPM. Relubrication after that is also dependent on the application and should be considered at every maintenance shutdown period.

RECOMMENDED LUBRICANTS

Ambient atmospheric conditions as well as operating conditions in many different combinations affect the need for and the kind of lubricant best suited for gear coupling applications. Products listed below were recommended to Waldron by the lubricant manufacturers for normal coupling operation. The listing of brand names is solely for the convenience of users of our couplings and their lubricant suppliers; it does not constitute endorsement nor is it intended to exclude any equivalent lubricant which was not listed.

Midland-Ross Corporation assumes no responsibility for the quality, performance or availability of any of the listed products.

<u>Company</u>	<u>Grease</u>	<u>Temp. Range °F.</u>
Atlantic Richfield Company	Litholine EP 1	-20/200
	Caldron EP 2	200/500
	Premier H 1	-20/150
	Premier Super 2	150/500
Boundry Films Inc. Castrol Company - London	BFB #1	-15/450
	Spheerol AP1	Up to 300
	Castrolease LN	Up to 380
Citgo Oil Company	Citgo HB-31	0/200
	Premium Molythium	0/260
	Citgo H-2	-30/250
	Citgo SEP-2	260/400
Fiske Brothers Refining	Lubriplate 930 AAA	10/250
	Lubriplate 930 AA	10/250
	Lubriplate Low Temp.	-20/200
Humble Oil & Refining	Andok B	-20/400
	Fibrax 370	40/200
	Nebula EPO	-20/400
	Pen-0-Led EP 350	40/200
Kendall Refining Company	Kenlube C-999	40/150
	Calcium Complex 742	Up to 500
	L-412	Up to 350
Mobil Oil Company	Mobilgrease #3	-20/150
	Savarex L-0	-20/200
	Mobiltemp #1	150/500
	Mobil Plex EPO	32/300
Non-Fluid Oil Corporation	S-#58	-25/300
	F-#924	-10/350
Pennzoil United Company	HMP-EP	-40/500
	Multi-Purpose #303	-30/300
	Pennlith EP 710	Up to 370
	Pennlith EP 711	Up to 370
	Pennlith EP 712	Up to 370
Quaker State Oil & Refining Company	Quaker State Expp-2	Up to 215
	Golden Chasis	Up to 215
	Multi Purpose L	Up to 365
	Multi Purpose B	Up to 500
Shell Oil Company	Simnia 00	-20/300
	Alvania EP 1	-20/300
Sun Oil Company	Sun Prestige 740 AEP	-30/60
	Sun Prestige 741 EP	60/250
	Sunaplex 991 EP	0/350
Texaco Inc.	Thermatex EP 1	100/400
	Low Temp 1888	-50/0
	Marfak HD-EP 1	0/200
	Marfak HD-EP 2	30/300



 **WARNING: Cancer and Reproductive Harm -**
www.P65Warnings.ca.gov

www.tbwoods.com

2000 Clovis Barker Road
San Marcos, TX 78666
512-353-4000