

The disc pack provided with this Repair kit may have to be modified to fit the application. In October 2004, the disc packs for the BF series sizes 33 & 38 were increased in thickness by 4 discs (both sizes). Therefore, if your coupling was ordered prior to October 2004, you may need replacement disc packs that are of the old thickness. In order to determine if you need to remove discs to make the replacement disc pack fit correctly, see the chart below. Note: The 'COUPLING OD' and 'DISC PACK WIDTH' dimensions are given to help you determine the size of your coupling. As shown in Figure 1 below, the 'DISC PACK WIDTH' dimension is the distance across the outside flats of any of the disc blades. The 'G' GAP dimension is the dimension between the inside flange face of either adapter and the corresponding outside flange face of the spacer, as illustrated in figure 2 below.

SIZE	COUPLING OD	DISC PACK WIDTH	IF YOUR COUPLING 'G' GAP DIMENSION IS:	OR YOUR EXISTING (OLD) DISC PACK THICKNESS IS:	THEN REMOVE THIS MANY BLADES FROM YOUR NEW (REPLACEMENT) DISC PACK:
33	4.93	3.75	0.28	0.105	4
			0.335	0.16	0
38	6	4.8125	0.33	0.135	4
			0.39	0.195	0

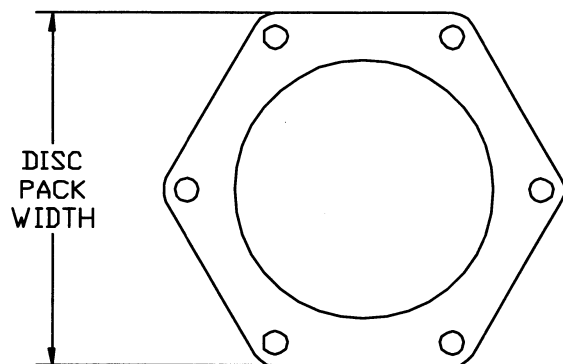


Figure 1.

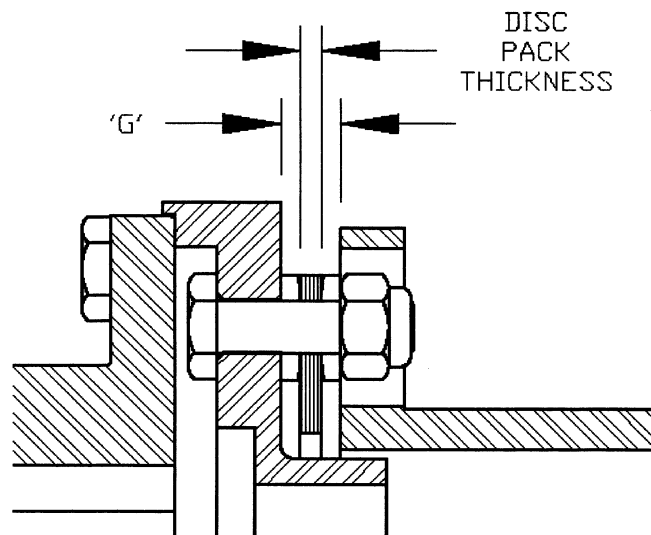


Figure 2.