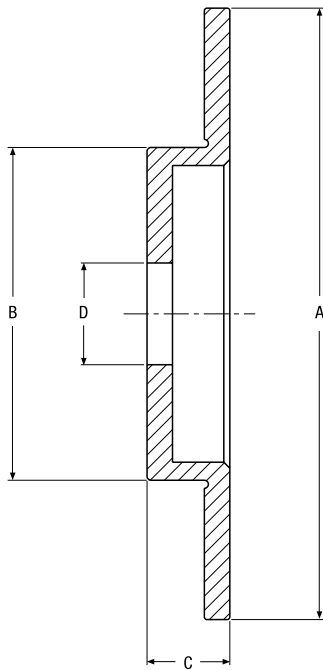


Disc and Hub Assemblies

Brake Discs



12.7mm thick brake discs

Nominal Diameter	A	B	C	D Min.	Inertia kgm ²	Weight kg	Max. Safe Disc Speed
250	250	128	36	30	0.04	4.0	6500
300	305	166	41	51	0.09	7.3	6000
350	356	210	54	76	0.17	10.9	5100
400	406	260	54	102	0.28	14.1	4400
460	457	311	54	102	0.48	19.1	3900
515	514	368	54	102	0.75	22.7	3500
610	610	464	54	102	1.57	33.0	2900
710	711	565	54	102	3.20	52.3	2500
810	813	660	54	102	6.57	85.5	2200
915	914	762	54	102	10.80	110.9	1900

All dimensions in mm

25.4mm thick brake discs

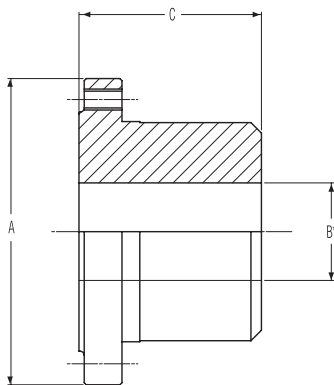
Nominal Diameter	A	B	C	D Min.	Inertia kgm ²	Weight kg	Max. Safe Disc Speed
610	610	343	76	125	2.75	66	2900
760	762	495	76	125	7.0	104	2300
915	914	648	76	230	16.0	150	1900
1065	1067	800	76	230	29.1	220	1600
1220	1219	914	76	230	49.1	273	1400
1370	1372	1067	76	*	80.1	346	1200
1525	1524	1219	76	*	120.5	393	1100
1830	1829	1524	76	*	243.5	522	1000

All dimensions in mm

* Bores cast and machined to order

Twiflex brake discs may be supplied bored and drilled to customer requirements. Non-standard disc sizes, not shown in the tables, can be supplied to order. Brake discs are manufactured from spheroidal graphite iron.

Hubs



Range of Hubs used with Twiflex Brake Discs

Hub Size	A	B*	C	Disc Size	Max. Brake Torque (kNm)	WR ² (kgm ²)
112	99	14-42	58	250	1.1	0.00097
168	146	28-65	87	300	3.6	0.0088
240	200	60-95	117	400	9.5	0.044
330	272	75-130	155	400	24.0	0.23
370	308	90-150	176	515	30.0	0.35

* Hubs can be supplied with parallel or taper bores, and keywayed to order, at extra cost.

Hubs are manufactured from steel 080M40.