

I N T R O D U C I N G

T30 Topdrive Caliper Brake

for Oil and Gas Applications

NEW

Twiflex T30 Caliper Brake

The Twiflex T30 is a pressure applied modular brake design, developed to provide a high braking force capacity from a compact assembly.

It features a split housing for flexibility of mounting and accommodation of a variety of disc thicknesses.

- 120 bar (1740 psi) operating pressure produces 25.4 kN (5710 lb) braking force
- Side or centre-mount arrangement
- Compact, robust housing design
- #4 SAE o-ring port per SAE J1926/1: 7/16-20
- Self-adjusting mechanism maintains a constant air gap for consistent response times
- Minimum disc diameter of 245 mm (9.6 in)
- Standard disc thickness 25.4 mm (1.0 in)
- Design operating range between from -20°C to +70°C (-4°F and 158°F)
- Custom levels of finish and protection available

* Note new units may be 30% to 50% less braking force than the catalogue nominal value until the friction pads are bed in.

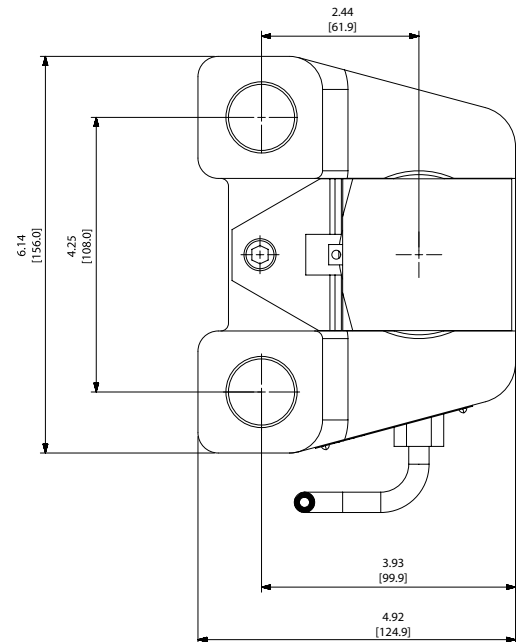
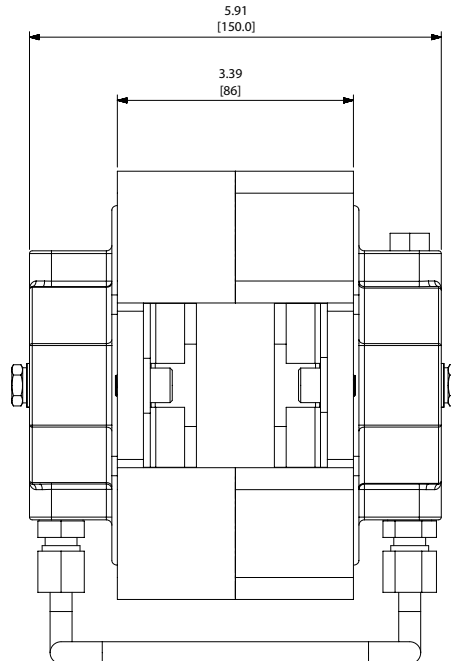
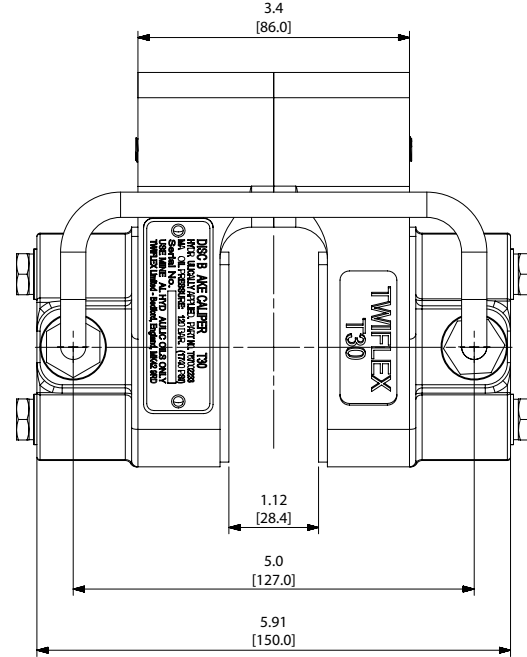


 **Twiflex**[®]
Limited

An Altra Industrial Motion Company



T30 Topdrive Caliper Brake



www.twiflex.com

9 Briar Road, Twickenham
Middlesex, England TW2 6RB
+44 (0) 20 8894 1161
Fax: +44 (0) 20 8894 6056
Email: sales@twiflex.com

2800 Fisher Road
Wichita Falls, TX 76302 - USA
940-723-3483
Fax: 940-723-3436