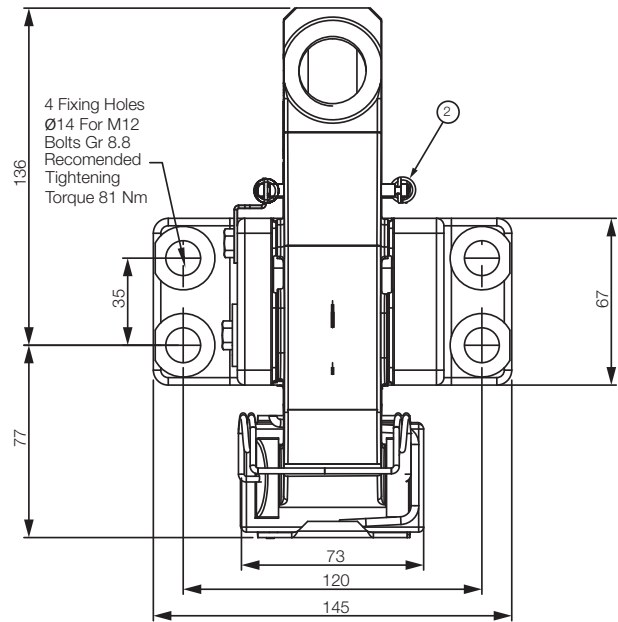
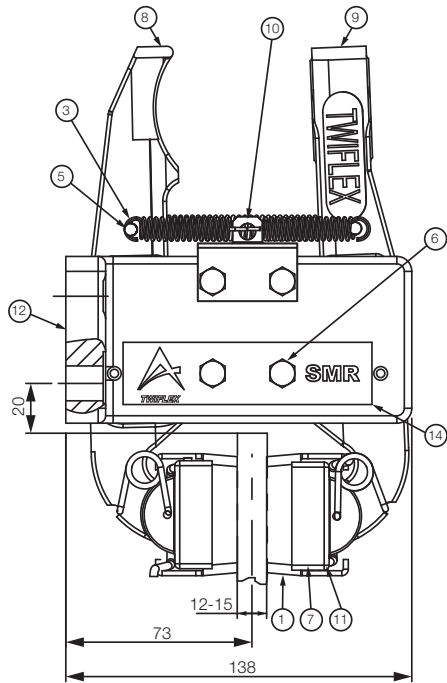


SMR Disc Brake Caliper

CALIPER PART NUMBER 6702225

Weight of Caliper 7.0 kg
 Pad wear allowance 8mm
 Total pad area 58cm² (2 pads)
 Pad dimensions new 63 x 48 x 13.7mm thick
 Pad material Asbestos-free friction material

AVAILABLE SPARES

Item	Component	Part No.	QTY
1	Pad Assembly	0780123-W	2
2	Tension Spring	2400035	1
3	Tension Spring	2400158	2
4	Shoe Retaining Spring	2500348	2
5	Grooved Pin	3100088	4
6	Setscrew	5300307	4
7	SMR Shoe	6600351	2
8	SMR Caliper Arm - Slotted side	6630345	1
9	SMR Caliper Arm - Thruster side	6630346	1
10	Spring Anchor Bracket	7901501	1
11	Pad Retaining Spring	7908688	2
12	SMR Caliper Base	7938556	1
13	Pivot Pin (not shown)	7958558	2
14	Keep Plate	7958611	1

Twiflex Disc Brakes must be used with Twiflex asbestos free brake pads.

The use of any other brake pads will invalidate the warranty.

Twiflex Limited reserves the right to modify or change the design without prior notice.

SMR Disc Brake Caliper

General Description

The SMR disc brake caliper is suitable for use with brake discs of 12-15 mm thick. They may be used with any of the series of actuators listed below. Normally one or two units will be used per disc but the number may be increased, depending on disc size and brake torque required.

Thruster	Description	Maximum Braking Force - kN
A	Pneumatically applied - Spring released	6.9
B	Pneumatically applied - Spring released	11.0
D	Pneumatically applied - Spring released	3.6
E	Pneumatically applied - Spring released	0.74
G	Pneumatically applied - Spring released	1.9
H	Mechanically applied - Lever operated	8.3
K	Spring applied - Pneumatically released	2.2, 4.3 and 6.4
L	Spring applied - Hydraulically released	2.2, 4.3 and 6.4
W	Mechanically applied - Hand operated	2.68

Mounting:

The SMR brake calipers may be positioned at any angle around the periphery of the disc, but ideally they should be mounted horizontally (3 or 9 o'clock positions) to prevent bias due to the weight of the thruster.

If a unit is mounted at any angle greater than 10° from the horizontal it should be fitted with an inclined mounting kit. This also applies to calipers used on vertical shaft applications.

The SMR brake caliper can be used for braking in either direction.

Discs:

A range of standard discs of 12.7mm thick are available from Twiflex see Data Sheet DB5002. Minimum disc diameter for the SMR caliper is 250mm

Effective disc radius = Actual disc radius – 0.033 m

Pad replacement:

To replace the pads, secure the installation to ensure safety. Ease out the pad retaining springs and remove the worn pads. Clean the disc and pad mounts with a suitable cleaning agent such as white spirit. Fit new pads. Replace pad retaining springs.

For bedding-in and conditioning procedures see publication M1060

Health and Safety data sheet refer to DS0500