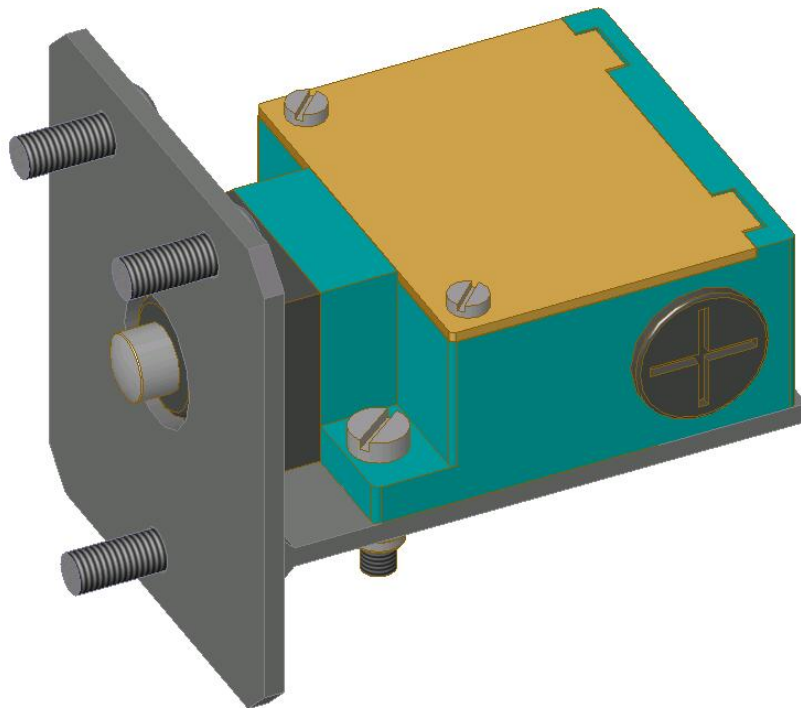




**MONITOR SWITCH
(BRAKE OFF)
FOR
ELECTRIC ACTUATOR
MANUAL
M1446**



AMENDMENT AND ISSUE RECORD - M1446

AMENDMENT NUMBER ISSUE AND DATE			SIGNATURE AND DATE WHEN AMENDMENT ISSUED
	01	August 2004	

'BRAKE OFF' MONITOR SWITCH FOR ELECTRIC ACTUATOR

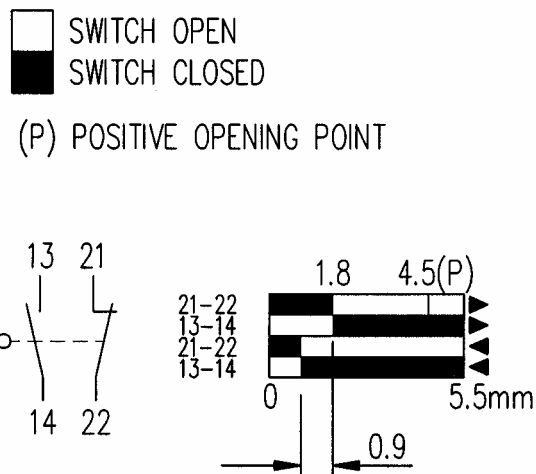
General Assembly: Drawing No. A34902
Part No. 7701237

The monitor switch is used on the spring applied/electrically retracted brake actuator. The switch monitors when the actuator push rod is fully retracted, signaling the brake is off, and may be used to operate a warning lamp or other indicating devices.

The switch is a metal bodied Telemecanique make, 2-pole, 1 N/O + 1 N/C contacts with positive opening operation and three M20 gland ports. Protected to IP66 specification.

The switch unit is mounted on a bracket to the rear casing of the actuator and set as shown on drawing A34902.

Switch Function Diagram



Refer to drawing A34902 for part identification listed below.

Item No.	Description	Part No.	Qty.
1	Switch Bracket	7903323	1
2			
3			
4	Switch, 2 Pole, 1 N/O + 1 N/C with positive opening point	7701212	1
5			
6			
7	Washer, Plain, Form A, M5	4700233	2
8	Nut, Philidas, M5	5100374	2
9	Screw, Pan Head Slotted, M6 x 16	5600131	3
10	Screw, Cheese Head Slotted, M5 x 20	5600092	2
11			
12			
13			
14			
15			
16			

SOLIDWORKS PART

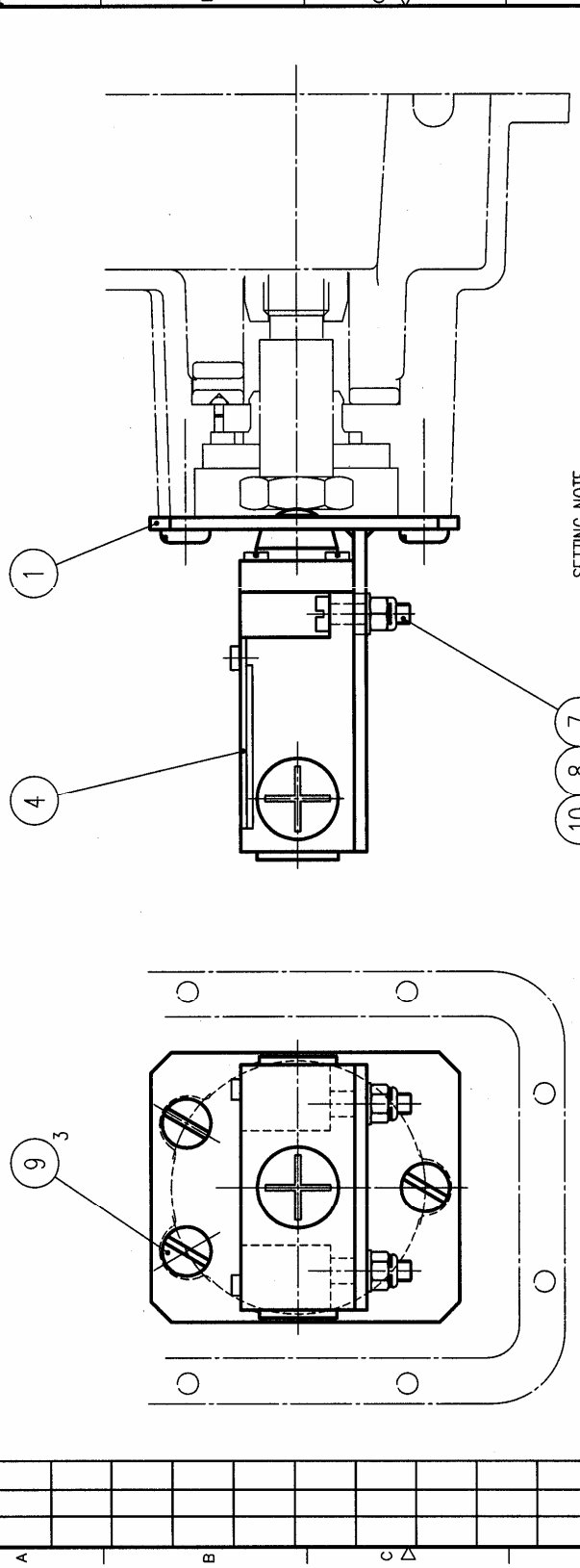
THIS DRAWING IS THE PROPERTY OF TWIFLEX LTD. IT MUST NOT BE LENT OR COPIED OR DISCLOSED WHOLLY OR IN PART TO ANY PERSON WITHOUT WRITTEN AUTHORITY FROM TWIFLEX LTD.

METRIC 0 10 mm 50 100
DIMENSIONS AND TOLERANCES TO BS 308

REMOVE SHARP EDGES
DO NOT SCALE

USED ON

THIRD ANGLE PROJECTION



SETTING NOTE:
WITH THE ACTUATOR FULLY RETRACTED, ADJUST THE POSITION OF THE LIMIT SWITCH (ITEM 4) ON THE SLOTS OF THE BRACKET (ITEM 1) UNTIL THE SWITCH FULLY OPERATES ON THE HEAD OF THE ACTUATOR ADJUSTING SCREW.
THEN SECURE THE TWO CHEESE HEAD SCREWS.

SCHEDULE Z265/25
MANUAL M1446

DATE	13-02-04	CERT'D	✓	DESCRIPTION	MONITOR SWITCH ASSEMBLY, BRAKE OFF, SINGLE FUNCTION - POSITIVE ACTION, EA	INERTIA	- kg m ²	WEIGHT	- kg
ISSUE No.	01	CHECKED	✓	MATERIAL	FINISH	PART No.	7701237		
ALT No.		DRAWN	AGD	SCALE	1:1	DRG No.	A34902		
		DATE	12-02-04						

TWIFLEX
TWIFLEX LIMITED
THE GREEN TWICKENHAM
MIDDLESEX ENGLAND TW2 5AQ

FORM No. DO/29-3