

Washdown Electro Pack

If your clutch/brake application demands consistent, repeatable performance cycle after cycle, through wet and dry conditions, choose Warner Electric's Washdown Electro Pack Clutch/Brakes.

Even in the most demanding environments, Washdown Electro Pack Clutch/Brakes (EP-W) will weather the storm. Designed specifically for use in food, sanitary or any other washdown application, these packaged clutch/brakes are totally enclosed in smooth, completely sealed, rugged enclosures to keep wear particles in and contaminants out.

Washdown Electro Packs are factory aligned, assembled and burnished for consistent out-of-the-box performance.

- USDA Approved coating
- Smooth exterior
- Shielded/sealed bearings
- Available in 70 and 270 lb-in Static torque configurations
- Available in 24 and 90 vdc



Horsepower vs. Shaft Speed

HP ▼	SHAFT SPEED AT CLUTCH (IN RPM)																				
	100	200	300	400	500	600	700	800	900	1000	1100	1200	1500	1800	2000	2400	3000	3600	4000	4500	5000
1/50																					
1/20																					
1/12																					
1/8																					
1/6																					
1/4																					
1/3																					
1/2																					
3/4																					
1																					
1-1/2																					
2																					
3																					

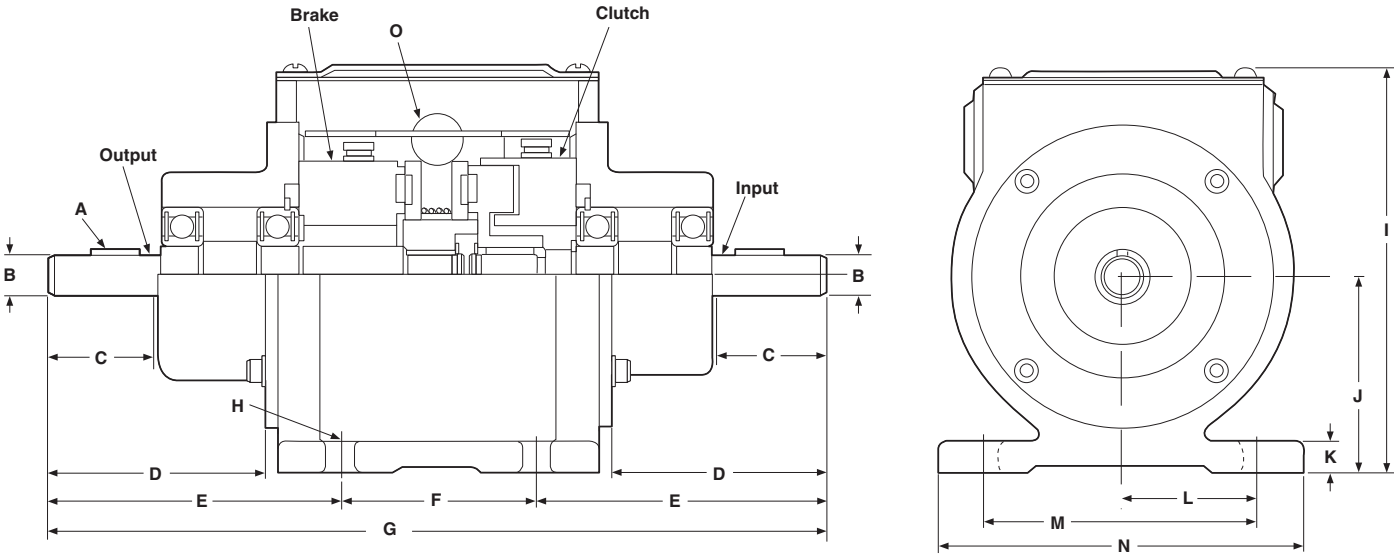
Washdown Electro Pack Clutch/Brakes

Warner Electric's new Washdown Electro Packs are currently available in two sizes, and in 24 and 90 volt configurations. If your application requires a different voltage or mounting configuration, please contact Warner Electric for assistance.

Model	Voltage (DC)		Static Torque (lb-in)	Part Number
	Max RPM			
EP-250-W	24	7500	70	5130-273-060
	90			5130-273-061
EP-400-W	24	4500	270	5131-273-030
	90			5131-273-031

Washdown Electro Pack

EP-250 and EP-400



Dimensions

All dimensions are nominal, unless otherwise noted.

Size	A	B	C Min.	D	E	F	G Max.	H	I	J	K	L	M	N	O
250	1/8 x	.4995	1.250	2.468	3.312	2.250	8.968	.312 Wide (4 slots)	5.281	2.318	.375	1.625	3.250	4.250	1/2 14 NPT Conduit x 2
	1/16	.4985 Dia.								2.308					
400	3/16 x	.7495	1.875	3.515	4.593	2.500	11.781	.312 Wide (4 slots)	6.937	3.474	.500	2.578	5.156	6.000	1/2 14 NPT Conduit x 2
	3/16 x 1-1/2	.7485 Dia.								3.464					

Specifications

Model Size	Voltage DC	Static Torque lb. in.	Inertia*—WR ² (lb-in ²)		Max. RPM	Weight lbs.
			Output	Input		
EP-250-W	6	70	.331	.293	7,500	7.1
	24	70	.331	.293	7,500	7.1
	90	70	.331	.293	7,500	7.1
EP-400-W	6	270	2.566	2.222	4,500	19.7
	24	270	2.566	2.222	4,500	19.7
	90	270	2.566	2.222	4,500	19.7