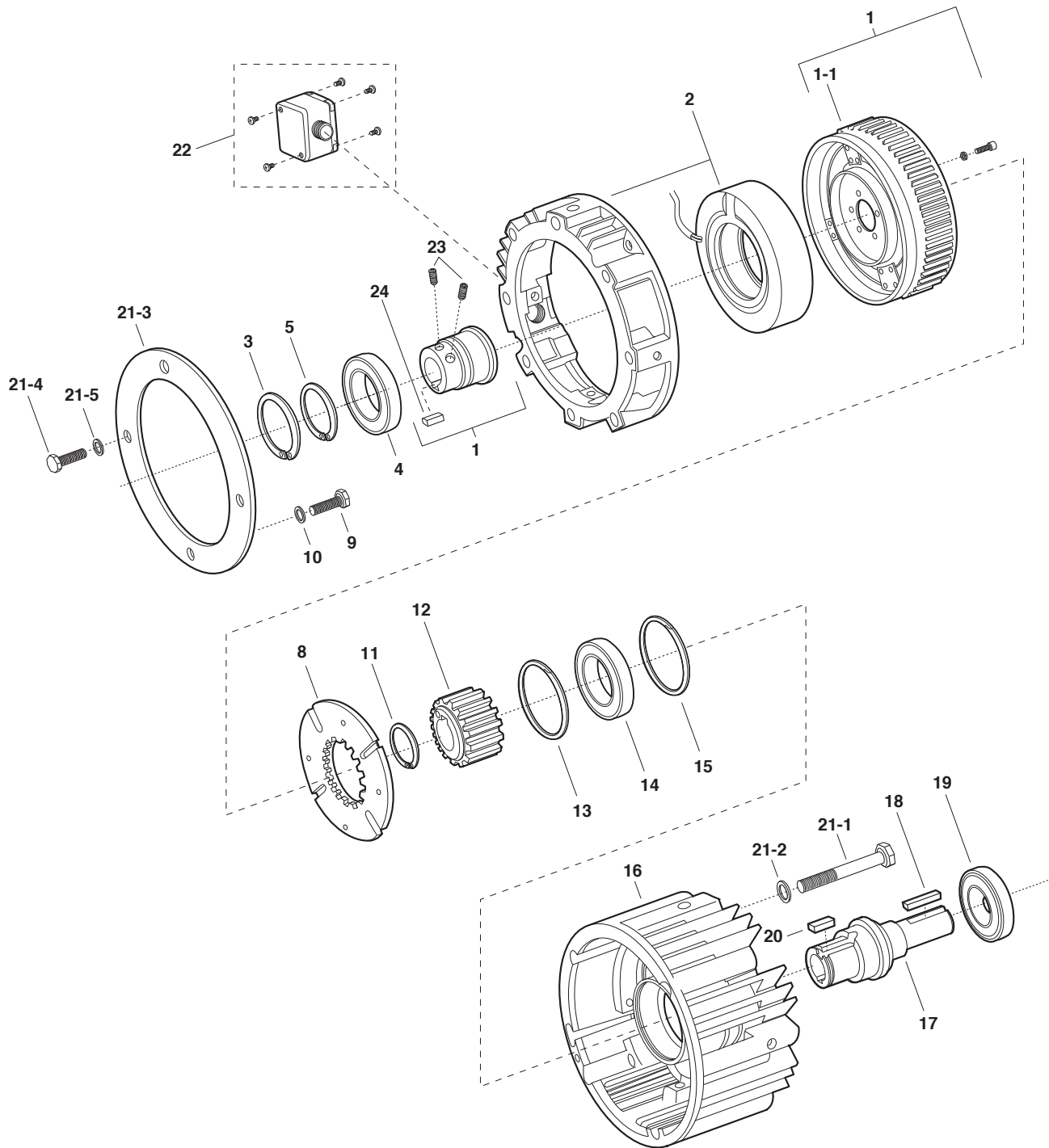


UM Series UniModule

Original Design – UM-1040 Clutch Combination

Sizes 50, 100, 180, 210 and 215



Service Parts

Original Design – UM-1040 Clutch Combination

Sizes 50, 100, 180, 210 and 215

Component Parts (Gray shaded areas indicate original design parts which will be available for a limited time)

Item	Description	UM-50		UM-100		UM-180		UM-210		UM-215	
		Part No.	Qty.	Part No.	Qty.	Part No.	Qty.	Part No.	Qty.	Part No.	Qty.
1	Rotor Assembly (with fan and hub)	5370-751-019	1	5370-751-022	1	5370-751-017	1	5371-751-012	1	5371-751-031	1
2	Field (with housing)		1		1		1		1		1
	6 volt	5370-451-062		5370-451-057		5370-451-057		5371-451-027		5371-451-027	
	24 volt	5370-451-064		5370-451-059		5370-451-059		5371-451-029		5371-451-029	
	90 volt	5370-451-063		5370-451-058		5370-451-058		5371-451-028		5371-451-028	
3	Retaining Ring	748-0101	1	748-0101	1	748-0101	1	748-0558	1	748-0558	1
4	Bearing	166-0150	1	166-0101	1	166-0101	1	166-0168	1	166-0168	1
5	Retaining Ring	748-0018	1	748-0001	1	748-0001	1	748-0067	1	748-0067	1
8	Armature Assembly	5370-111-011	1	5370-111-013	1	5370-111-013	1	5371-111-005	1	5371-111-005	1
9	Capscrew							797-0081	6	797-0081	6
10	Lockwasher							950-0372	6	950-0372	6
11	Retaining Ring	748-0445	1	748-0676	1	748-0676	1				
12	Hub	540-1638	1	540-1642	1	540-1642	1	540-2053	1	540-2053	1
13	Retaining Ring	748-0113	1	748-0101	1	748-0101	1	748-0112	1	748-0112	1
14	Ball Bearing	166-0149	1	166-0101	1	166-0101	1	166-0142	1	166-0142	1
15	Retaining Ring	748-0113	1								
16	Housing	535-0167	1	535-0168	1	535-0168	1	535-0169	1	535-0169	1
17	Shaft	798-0046	1	798-0128	1	798-0085	1	798-0051	1	798-0254	1
18	Key	590-0029	1	590-0029	1	590-0029	1	590-0019	1	590-0124	1
19	Ball Bearing	166-0155	1	166-0143	1	166-0143	1	166-0144	1	166-0144	1
20	Key	590-0043	1	590-0084	1	590-0084	1				
21	Mounting Accessory	5370-101-040	1	5370-101-040	1	5370-101-040	1	5371-101-020	1	5371-101-020	1
	21-1 Capscrew	797-1378	4	797-1378	4	797-1378	4	797-1440	4	797-1440	4
	21-2 Lockwasher	950-0354	4	950-0354	4	950-0354	4	950-0111	4	950-0111	4
	21-3 Adapter			807-0218	1			104-0321	1	104-0321	1
	21-4 Capscrew							797-1442	4	797-1442	4
	21-5 Lockwasher							950-0101	4	950-0101	4
22	Conduit Box (Optional)	5370-101-042	1	5370-101-042	1	5370-101-042	1	5370-101-042	1	5370-101-042	1
23	Set Screw	797-1098	2	797-0069	2	797-0069	2	797-1098	2	797-1098	2
24	Input Key	5370-101-072	1	5370-101-072	1	5370-101-072	1	5371-101-043	1	5371-101-044	1

Note: As of June, 2000 all rotors are manufactured as a single piece design. The rotor assembly part number remains the same and now includes the hub and set screws.

Refer to Service Manual P-213.

These units meet the standards of UL 508 and are listed under guide card #NMTR 2, file #59164.



Service Parts