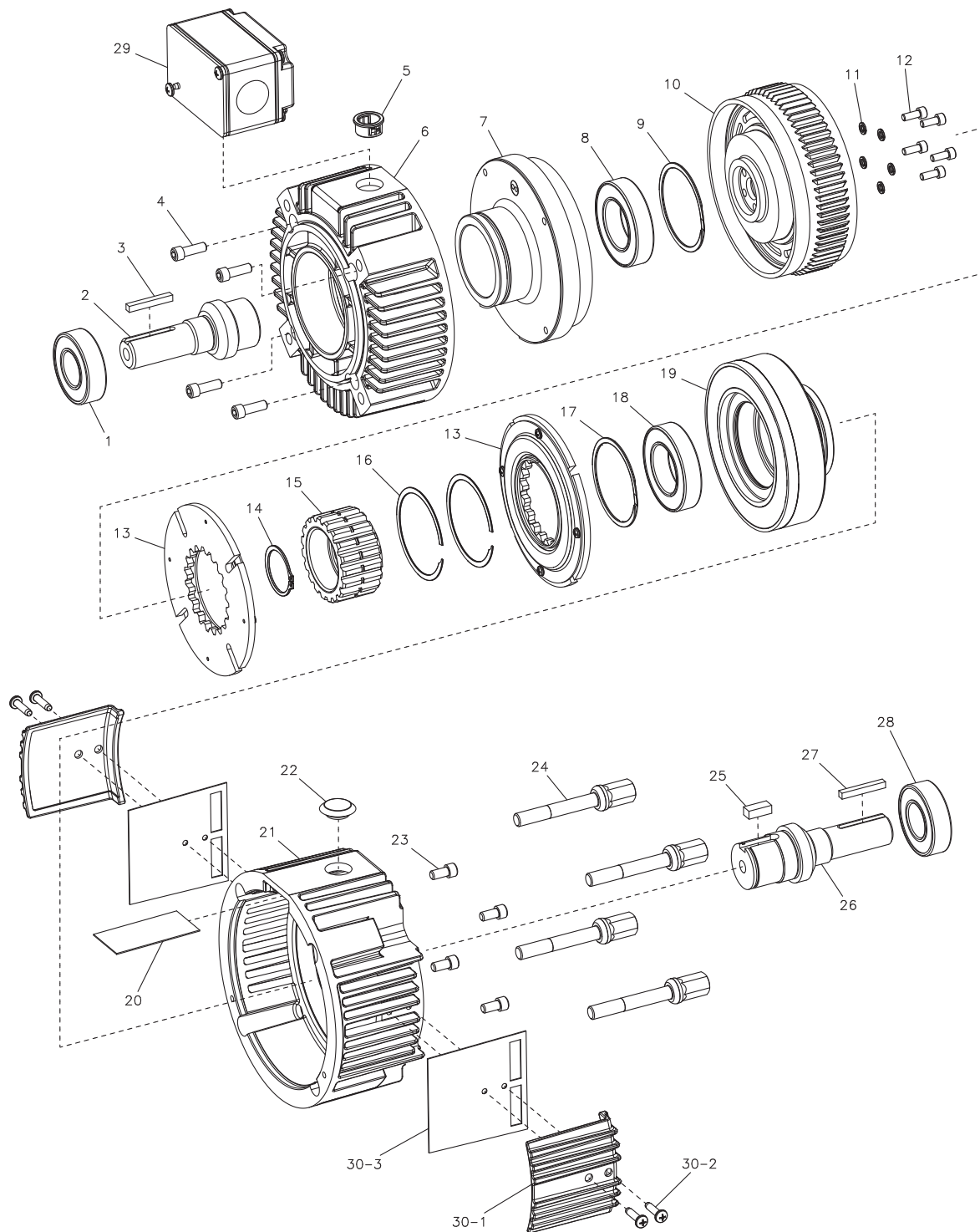


UM Series UniModule

GEN 2 Design – UM-2030 Clutch/Brake Combination

Sizes 50, 100 and 180



Service Parts

GEN 2 Design – UM-2030 Clutch/Brake Combination Sizes 50, 100 and 180

Component Parts

Item	Description	UM-50		UM-100		UM-180	
		Part No.	Qty.	Part No.	Qty.	Part No.	Qty.
1	Ball Bearing	166-0143	1	166-0143	1	166-0143	1
2	Shaft	798-0300	1	798-0303	1	798-0306	1
3	Key	590-0029	1	590-0029	1	590-0029	1
4	Field Mounting Screw	797-0077	4	797-0077	4	797-0077	4
5	Bushing	572-0522	1	572-0522	1	572-0522	1
6	Housing	535-0205	1	535-0205	1	535-0205	1
7	Field Assembly		1		1		1
	6 Volt	5370-451-211		5370-451-216		5370-451-216	
	24 Volt	5370-451-213		5370-451-218		5370-451-218	
	90 Volt	5370-451-214		5370-451-219		5370-451-219	
8	Ball Bearing	166-0143	1	166-0150	1	166-0150	1
9	Retaining Ring	748-2044	1	748-0101	1	748-0101	1
10	Rotor Assembly	5370-751-006	1	5370-751-053	1	5370-751-053	1
11	Washer	950-0436	4	950-0436	5	950-0436	5
12	Screw	797-1294	4	797-1214	5	797-1214	5
13	Armature Assembly	5370-111-022	2	5370-111-013	2	5370-111-013	2
14	Retaining Ring	748-0445	1	748-0676	1	748-0676	1
15	Armature Hub	540-1638	1	540-2038	1	540-2038	1
16	Armature Hub Retaining Ring			748-0450	2	748-0450	2
17	Retaining Ring	748-2044	1	748-0101	1	748-0101	1
18	Ball Bearing	166-0143	1	166-0150	1	166-0150	1
19	Magnet Assembly		1		1		1
	6 Volt	5370-631-201		5370-631-216		5370-631-216	
	24 Volt	5370-631-203		5370-631-218		5370-631-218	
	90 Volt	5370-631-204		5370-631-219		5370-631-219	
20	Insulator	572-1029	1	572-1029	1	572-1029	1
21	Housing	535-0206	1	535-0206	1	535-0206	1
22	Plug	680-0037	1	680-0037	1	680-0037	1
23	Magnet Mounting Screw	797-0077	4	797-1358	4	797-1358	4
24	Tie Bolt	825-0013	4	825-0013	4	825-0013	4
25	Key	590-0043	1	590-0084	1	590-0084	1
26	Shaft	798-0298	1	798-0301	1	798-0304	1
27	Key	590-0029	1	590-0029	1	590-0029	1
28	Ball Bearing	166-0143	1	166-0143	1	166-0143	1
29	Conduit Box (Optional)	5370-101-042	1	5370-101-042	1	5370-101-042	1
30	Cover Kit (Optional)	5370-101-076	1	5370-101-076	1	5370-101-076	1
	30-1 Cover	258-1227	2	258-1227	2	258-1227	2
	30-2 Screw	797-1562	4	797-1562	4	797-1562	4
	30-3 Gasket	495-0042	2	495-0042	2	495-0042	2

Refer to service manual P-273-4.

These units meet the standards of UL 508 and are listed under guide card #NMTR2, file #59164.



Service Parts