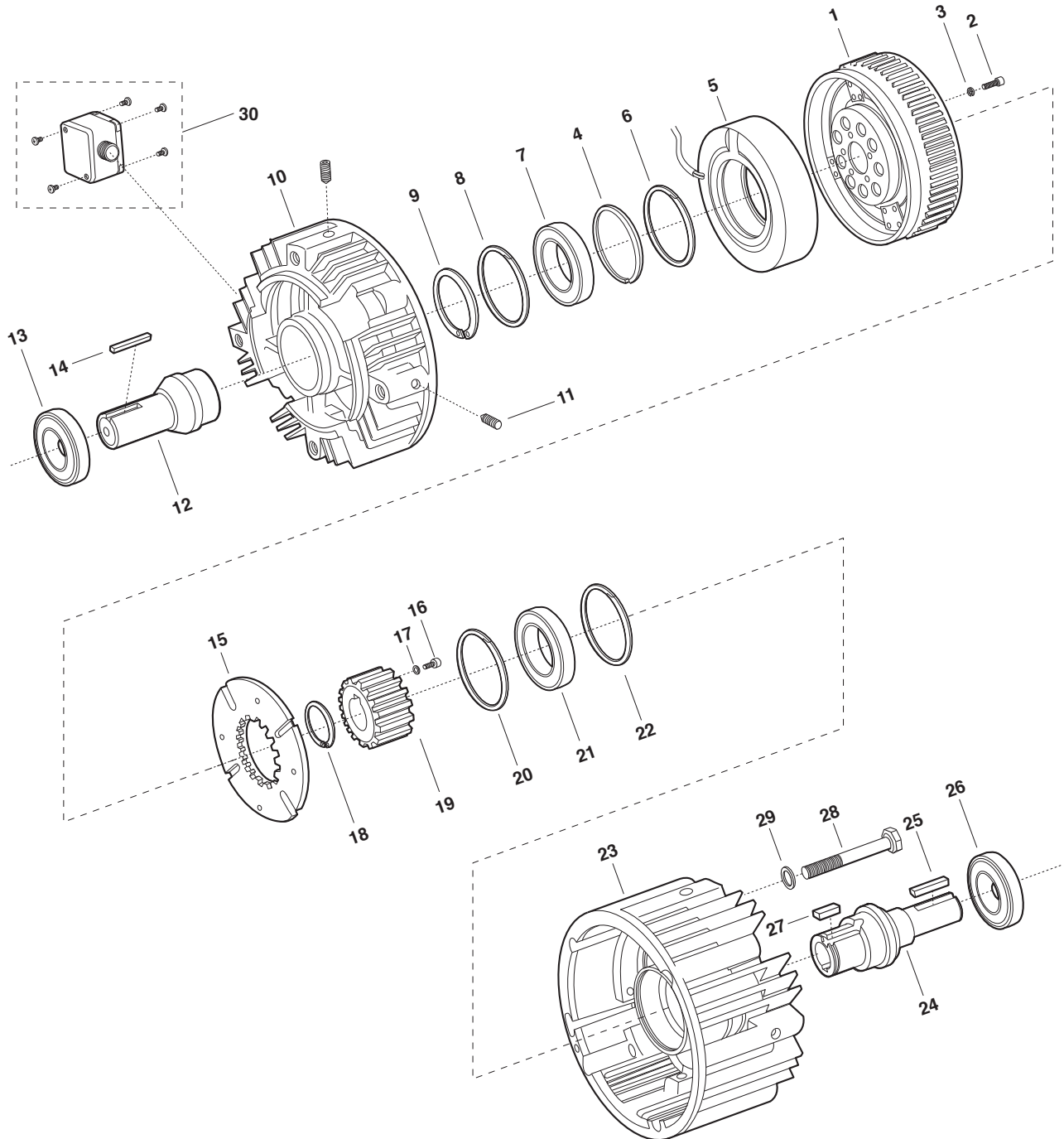


# UM Series UniModule

## Original Design – UM-3040 Clutch Combination–Base Mounted

Sizes 50, 100, 180, 210 and 215



### Service Parts

## Original Design – UM-3040 Clutch Combination–Base Mounted Sizes 50, 100, 180, 210 and 215

### Component Parts (Gray shaded areas indicate original design parts which will be available for a limited time)

Item	Description	UM-50		UM-100		UM-180		UM-210		UM-215	
		Part No.	Qty.	Part No.	Qty.	Part No.	Qty.	Part No.	Qty.	Part No.	Qty.
1	Rotor Assembly w/fan	5370-751-006	1	5370-751-009	1	5370-751-009	1	5371-751-007	1	5371-751-007	1
2	Capscrew	797-1294	4	797-1214	5	797-1214	5	797-0083	6	797-0083	6
3	Lockwasher	950-0436	4	950-0436	5	950-0436	5	950-0372	6	950-0372	6
4	Spacer			807-0062	1	807-0062	1	807-0061	1	807-0061	1
5	Field (with housing UM-50-3040 only)		1		1		1		1		1
	6 volt	5370-451-072		5370-451-007		5370-451-007		5371-451-002		5371-451-002	
	24 volt	5370-451-074		5370-451-005		5370-451-005		5371-451-005		5371-451-005	
	90 volt	5370-451-073		5370-451-008		5370-451-008		5371-451-003		5371-451-003	
6	Retaining Ring	748-0113	1	748-0101	1	748-0101	1	748-0112	1	748-0112	1
7	Ball Bearing	166-0149	1	166-0101	1	166-0101	1	166-0142	1	166-0142	1
8	Retaining Ring	748-0113	1								
9	Retaining Ring	748-0017	1								
10	Housing			535-0164	1	535-0164	4	535-0129	1	535-0129	1
11	Setscrew			797-0471	4	797-0471	4	797-0103	4	797-0103	4
12	Shaft	798-0047	1	798-0129	1	798-0124	1	798-0123	1	798-0255	1
13	Bearing	166-0155	1	166-0143	1	166-0143	1	166-0144	1	166-0144	1
14	Key	590-0029	1	590-0029	1	590-0029	1	590-0019	1	590-0124	1
15	Armature Assembly	5370-111-011	1	5370-111-013	1	5370-111-013	1	5371-111-005	1	5371-111-005	1
16	Capscrew							797-0081	6	797-0081	6
17	Lockwasher							950-0372	6	950-0372	6
18	Retaining Ring	748-0445	1	748-0676	1	748-0676	1				
19	Hub	540-1638	1	540-1642	1	540-1642	1	540-2053	1	540-2053	1
20	Retaining Ring	748-0113	1	748-0101	1	748-0101	1	748-0112	1	748-0112	1
21	Ball Bearing	166-0149	1	166-0101	1	166-0101	1	166-0142	1	166-0142	1
22	Retaining Ring	748-0113	1								
23	Housing	535-0167	1	535-0168	1	535-0168	1	535-0169	1	535-0169	1
24	Shaft	798-0046	1	798-0128	1	798-0085	1	798-0051	1	798-0251	1
25	Key	590-0029	1	590-0029	1	590-0029	1	590-0019	1	590-0124	1
26	Ball Bearing	166-0155	1	166-0143	1	166-0143	1	166-0144	1	166-0144	1
27	Key	590-0043	1	590-0084	1	590-0084	1				
28	Capscrew	797-0353	4	797-0353	4	797-0353	4	797-1075	4	797-1075	4
29	Lockwasher	950-0354	4	950-0354	4	950-0354	4	950-0032	4	950-0032	4
30	Conduit Box (Optional)	5370-101-042	1	5370-101-042	1	5370-101-042	1	5370-101-042	1	5370-101-042	1

Refer to Service Manual P-213.

These units meet the standards of UL 508 and are listed under guide card #NMTR2, file #59164.



### Service Parts