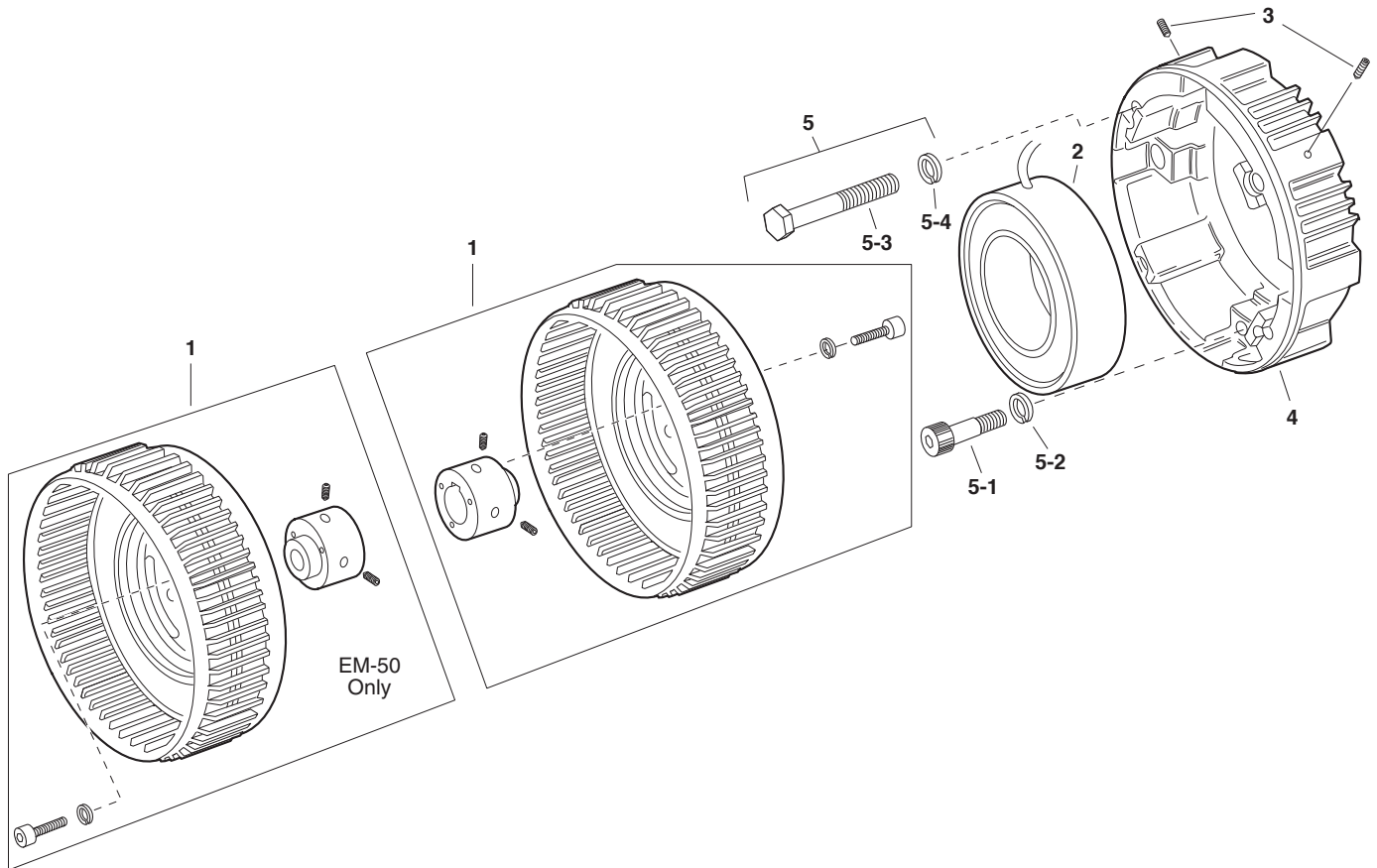


EM Series Electro Module

Original Design – EM-10 Motor Clutch Module

Sizes 50, 100, 180 and 210



Component Parts (Gray shaded areas indicate original design parts which will be available for a limited time)

Item	Description	EM-50		EM-100		EM-180		EM-210	
		Part No.	Qty.	Part No.	Qty.	Part No.	Qty.	Part No.	Qty.
1*	Rotor Assembly w/fan & hub	5370-751-010	1	5370-751-013	1	5370-751-007	1	5371-751-005	1
	Field		1		1		1		1
2	6 volt	5370-451-011		5370-451-021		5370-451-021		5371-451-010	
	24 volt	5370-451-014		5370-451-024		5370-451-024		5371-451-013	
	90 volt	5370-451-012		5370-451-022		5370-451-022		5371-451-011	
3	Setscrew							797-0471	4
4	Adapter							104-0096	1
5	Mounting Accessory	5370-101-028	1	5370-101-013	1	5370-101-013	1	5371-101-008	1
	5-1 Capscrew	797-0293	4	797-0293	4	797-0293	4	797-1078	4
	5-2 Lockwasher	950-0128	4	950-0128	4	950-0128	4	950-0101	4
	5-3 Capscrew							797-1075	4
	5-4 Lockwasher							950-0032	4

*Shipped Assembled
Refer to Service Manual P-213.
These units meet the standards of UL 508 and are listed under guide card #NMTR2, file #59164.



Service Parts