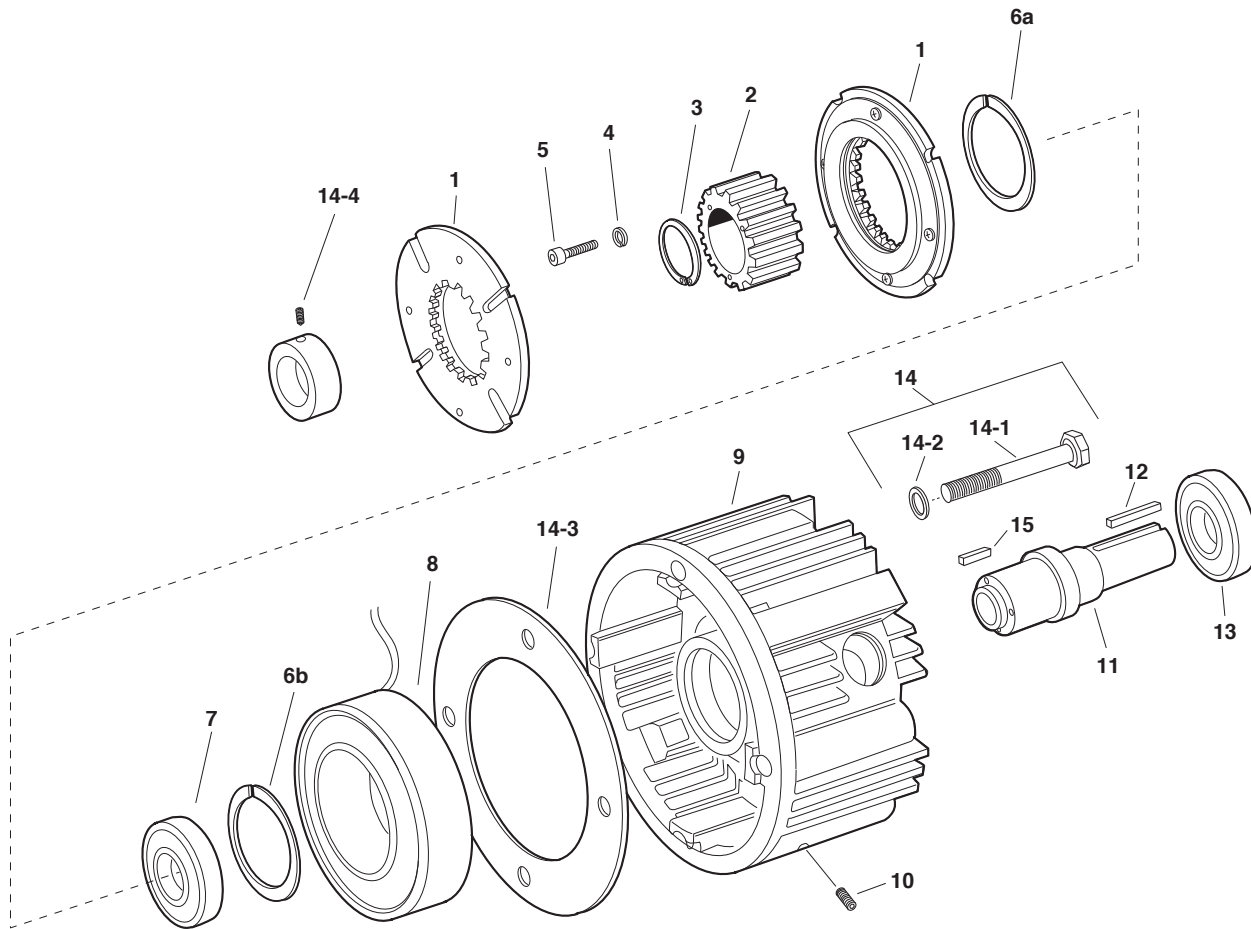


# EM Series Electro Module

## Original Design – EM-20 Brake Module

Sizes 50, 100, 180, 210 and 215



### Service Parts

# EM Series Electro Module

## Original Design – EM-20 Brake Module Sizes 50, 100, 180, 210 and 215

### Component Parts (Gray shaded areas indicate original design parts which will be available for a limited time)

Item	Description	EM-50		EM-100		EM-180		EM-210		EM-215	
		Part No.	Qty.	Part No.	Qty.	Part No.	Qty.	Part No.	Qty.	Part No.	Qty.
1	Armature	5370-111-011	2	5370-111-013	2	5370-111-013	2	5371-111-005	2	5371-111-005	1
2	Armature Hub	540-1638	1	540-1684	1	540-1642	1	540-2053	1	540-2039	1
3	Retaining Ring	748-0445	1	748-0676	1	748-0676	1				
4	Lockwasher							950-0372	6	950-0372	6
5	Capscrew							797-0081	6	797-008	6
6a	Retaining Ring	748-0113	1	748-0101	1	748-0101	1	748-0112	1	748-0112	1
6b	Retaining Ring	748-0113	1							748-2002	1
7	Ball Bearing	166-0149	1	166-0101	1	166-0101	1	166-0142	1	166-0142	1
8	Magnet		1		1		1		1		
	6 Volt	5370-631-008		5370-631-002		5370-631-002		5371-631-002			
	24 Volt	5370-631-010		5370-631-005		5370-631-005		5371-631-005		5371-631-005	1
	90 Volt	5370-631-007		5370-631-003		5370-631-003		5371-631-003		5371-631-003	1
9	Housing	535-0130	1	535-0132	1	535-0132	1	535-0033	1	535-0033	1
10	Setscrew	797-0471	4	797-0471	4	797-0471	4	797-0103	4	797-0103	4
11	Shaft	798-0045	1	798-0127	1	798-0086	1	798-0050	1	798-0268	1
12	Key - Output	590-0029	1	590-0029	1	590-0029	1	590-0019	1	590-0124	1
13	Ball Bearing	166-0155	1	166-0143	1	166-0143	1	166-0144	1	166-0144	1
14	Mounting Accessory	5370-101-017	1	5370-101-017	1	5370-101-023	1	5371-101-007	1	5371-101-007	1
	14-1 Capscrew	797-0353	4	797-0353	4	797-0353	4	797-1081	4	797-1081	4
	14-2 Washer	950-0354	4	950-0354	4	950-0354	4	950-0033	4	950-0033	4
	14-3 Spacer					807-0218	1				
	14-4 Collar					266-0002	1	266-0003	1	266-0003	1
15	Key	590-0043	1	590-0084	1	590-0084	1				
	Key Accessory - Input	5370-101-072	1	5370-101-072	1	5370-101-072	1	5371-101-043	1	5371-101-044	1

Refer to Service Manual P-213.

These units meet the standards of UL 508 and are listed under guide card #NMTR2, file #59164.



### Service Parts