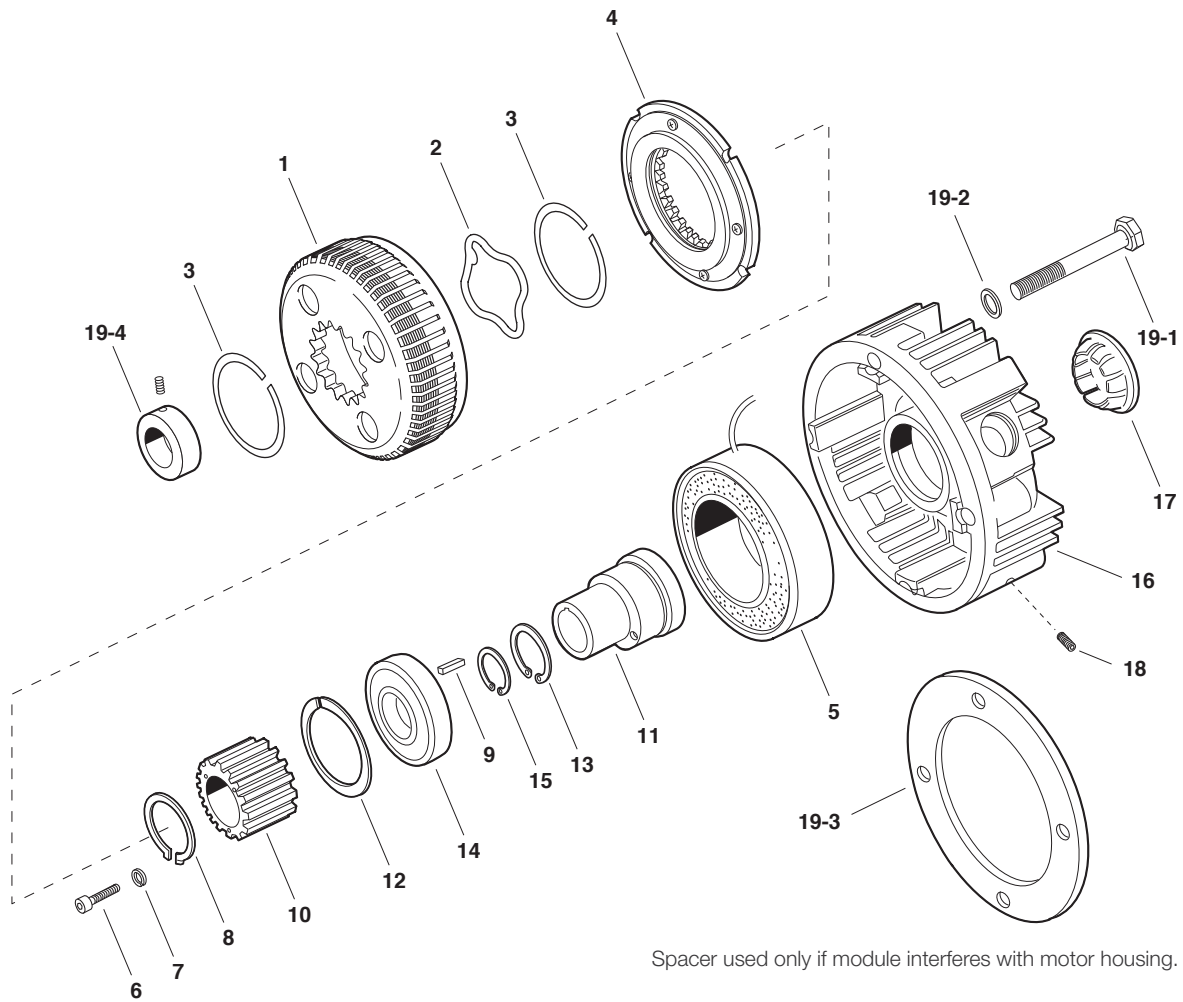


# EM Series Electro Module

## Original Design – 20MB Motor Brake Module

Sizes 50, 180 and 210



Spacer used only if module interferes with motor housing.

### Service Parts

# EM Series Electro Module

## Original Design – 20MB Motor Brake Module

Sizes 50, 180 and 210

### Component Parts (Gray shaded areas indicate original design parts which will be available for a limited time)

Item	Description	EM-50		EM-180		EM-210	
		Part No.	Qty.	Part No.	Qty.	Part No.	Qty.
1	Fan Assembly	5370-104-002	1	5370-104-001	1	748-1052	1
2	Follow-up Spring	808-0104	1	808-0107	1	808-0109	1
3	Retaining Ring	748-0440	2	748-0450	2	748-0455	2
4	Armature	5370-111-011	1	5370-111-013	1	5371-111-005	1
5	Magnet		1		1		1
	6 Volt	5370-631-008		5370-631-002		5371-631-002	
	24 Volt	5370-631-010		5370-631-005		5371-631-005	
	90 Volt	5370-631-007		5370-631-003		5371-631-003	
6	Capscrew					797-0081	6
7	Lockwasher					950-0372	6
8	Retaining Ring	748-0445	1				
9	Key	590-0043	1	590-0084	1		
10	Splined Hub	540-1646	1	540-1647	1	540-2041	1
11	Hub	540-1018	1	540-0726	1	540-1020	1
12	Retaining Ring	748-0113	2	748-0101	1	748-0112	1
13	Retaining Ring			748-0676	1		
14	Bearing	166-0149	1	166-0101	1	166-0142	1
15	Retaining Ring	748-0556	1	748-0555	1	748-0554	1
16	Housing	535-0136	1	535-0134	1	535-0050	1
17	Plug	680-0028	1	680-0028	1	680-0027	1
18	Setscrew	797-0471	4	797-0471	4	797-0103	4
19	Mounting Accessory	5370-101-017	1	5370-101-023	1	5371-101-007	1
	19-1 Capscrew	797-0353	4	797-0353	4	797-1081	4
	19-2 Lockwasher	950-0354	4	950-0354	4	950-0033	4
	19-3 Spacer			807-0218	1		
	19-4 Collar			266-0002	1	266-0003	1
	Key Accessory - Input	5370-101-073	1	5370-101-073	1	5371-101-043	1

Refer to Service Manual P-213.

These units meet the standards of UL 508 and are listed under guide card #NMTR2, file #59164.



### Service Parts