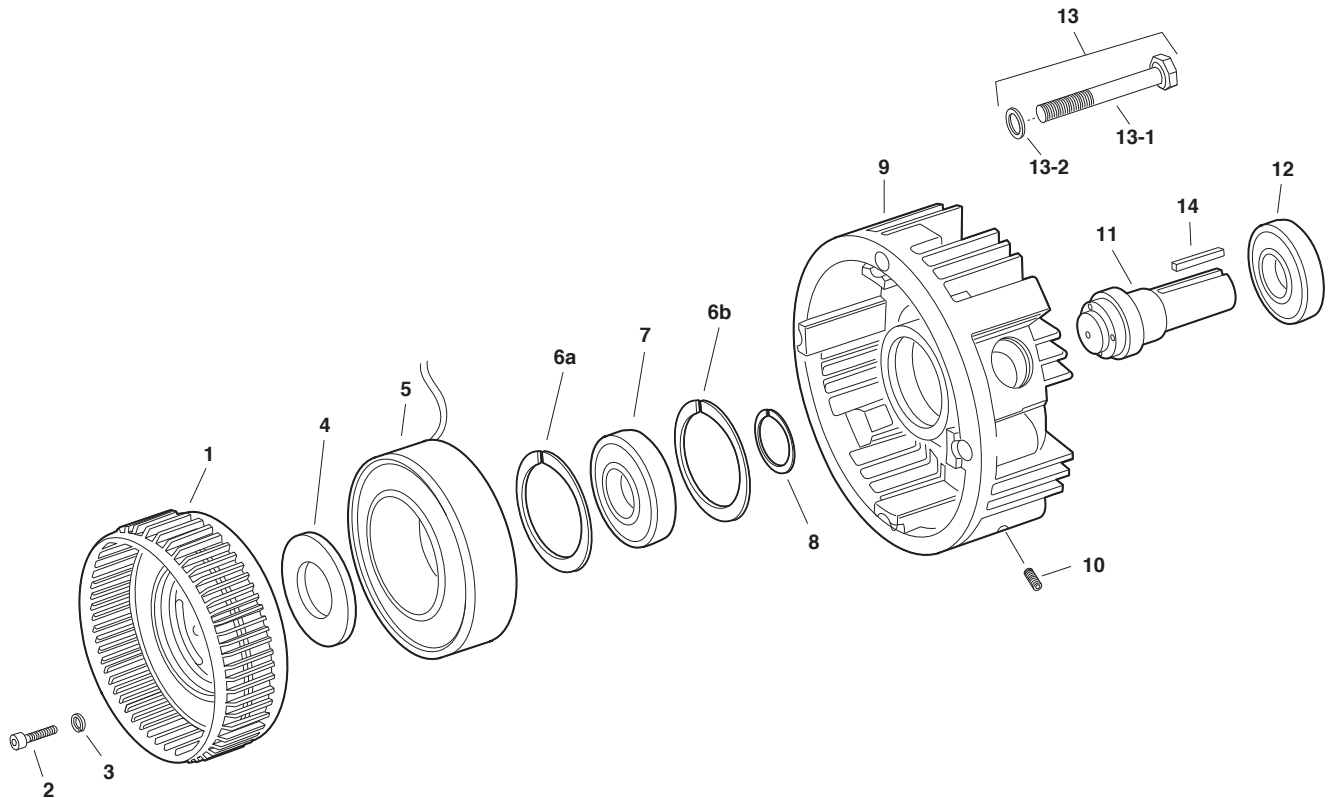


# EM Series Electro Module

## Original Design – 30 Motor Clutch Module

Sizes 50, 100, 180 and 210



### Component Parts (Gray shaded areas indicate original design parts which will be available for a limited time)

Item	Description	EM-50		EM-100		EM-180		EM-210	
		Part No.	Qty.	Part No.	Qty.	Part No.	Qty.	Part No.	Qty.
1	Rotor Assembly w/fan	5370-751-006	1	5370-751-009	1	5370-751-009	1	5371-751-007	1
2	Capscrew	797-1039	4	797-1214	5	797-1214	5	797-0083	6
3	Lockwasher	950-0436	4	950-0436	5	950-0436	5	950-0372	6
4	Spacer			807-0062	1	807-0062	1	807-0061	1
5	Field (with housing EM-50-30 only)		1		1		1		1
	6 volt	5370-451-072		5370-451-007		5370-451-007		5371-451-002	
	24 volt	5370-451-074		5370-451-005		5370-451-005		5371-451-005	
	90 volt	5370-451-073		5370-451-008		5370-451-008		5371-451-003	
6a	Retaining Ring	748-0113	1	748-0101	1	748-0101	1	748-0112	1
6b	Retaining Ring	748-0113	1						
7	Ball Bearing	166-0149	1	166-0101	1	166-0101	1	166-0142	1
8	Retaining Ring	748-0017	1						
9	Housing			535-0164	1	535-0164	1	535-0129	1
10	Setscrew	797-0471	4	797-0471	4	797-0471	4	797-0471	4
11	Shaft	798-0047	1	798-0129	1	798-0124	1	798-0123	1
12	Ball Bearing	166-0155	1	166-0143	1	166-0143	1	166-0144	1
13	Mounting Accessory							5371-101-010	1
	13-1 Capscrew							797-1075	4
	13-2 Lockwasher							950-0032	4
14	Key	590-0029	1	590-0029	1	590-0029	1	590-0019	1

Refer to Service Manual P-213.

These units meet the standards of UL 508 and are listed under guide card #NMTR2, file #59164.



### Service Parts