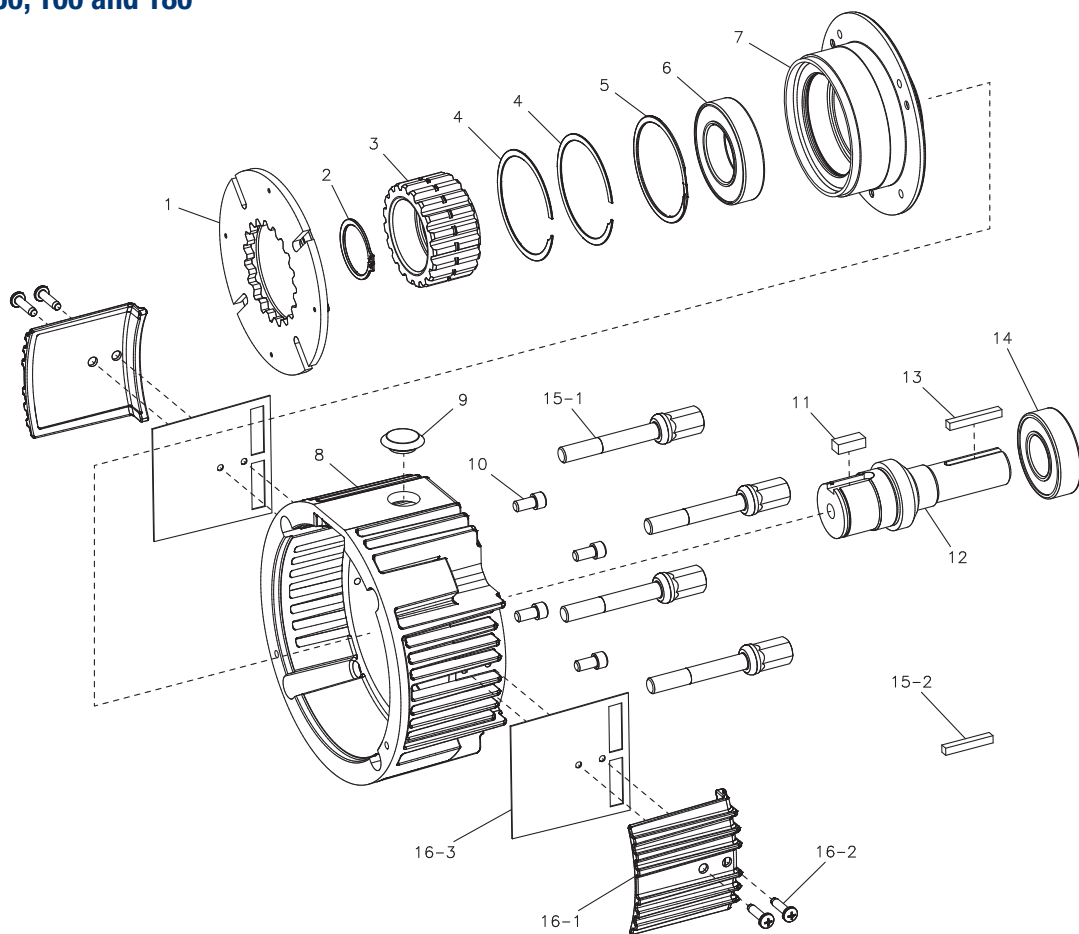


EM Series Electro Module

GEN 2 Design – 40 Output Clutch Module

Sizes 50, 100 and 180



Component Parts

Item	Description	EM-50		EM-100		EM-180	
		Part No.	Qty.	Part No.	Qty.	Part No.	Qty.
1	Armature Assembly	5370-111-022	1	5370-111-013	1	5370-111-013	1
2	Retaining Ring	748-0445	1	748-0676	1	748-0676	1
3	Armature Hub	540-1638	1	540-2038	1	540-2038	1
4	Armature Hub Retaining Ring			748-0450	2	748-0450	2
5	Retaining Ring	748-2044	1	748-0101	1	748-0101	1
6	Ball Bearing	166-0143	1	166-0150	1	166-0150	1
7	Bearing Hub	690-0276	1	690-0278	1	690-0278	1
8	Housing	535-0207	1	535-0207	1	535-0207	1
9	Plug	680-0037	1	680-0037	1	680-0037	1
10	Hub Mounting Screw	797-0077	4	797-1358	4	797-1358	4
11	Key	590-0043	1	590-0084	1	590-0084	1
12	Shaft	798-0298	1	798-0301	1	798-0304	1
13	Key	590-0029	1	590-0029	1	590-0029	1
14	Ball Bearing	166-0143	1	166-0143	1	166-0143	1
15	Mounting Accessory	5370-101-077	1	5370-101-077	1	5370-101-077	1
	15-1 Tie Bolt	825-0013	4	825-0013	4	825-0013	4
	15-2 Key	590-0142	1	590-0142	1	590-0142	1
16	Cover Kit (Optional)	5370-101-076	1	5370-101-076	1	5370-101-076	1
	16-1 Cover	258-1227	2	258-1227	2	258-1227	2
	16-2 Screw	797-1562	4	797-1562	4	797-1562	4
	16-3 Gasket	495-0042	2	495-0042	2	495-0042	2

Refer to service manual P-273-5.

These units meet the standards of UL 508 and are listed under guide card #NMTR2, file #59164.



Service Parts