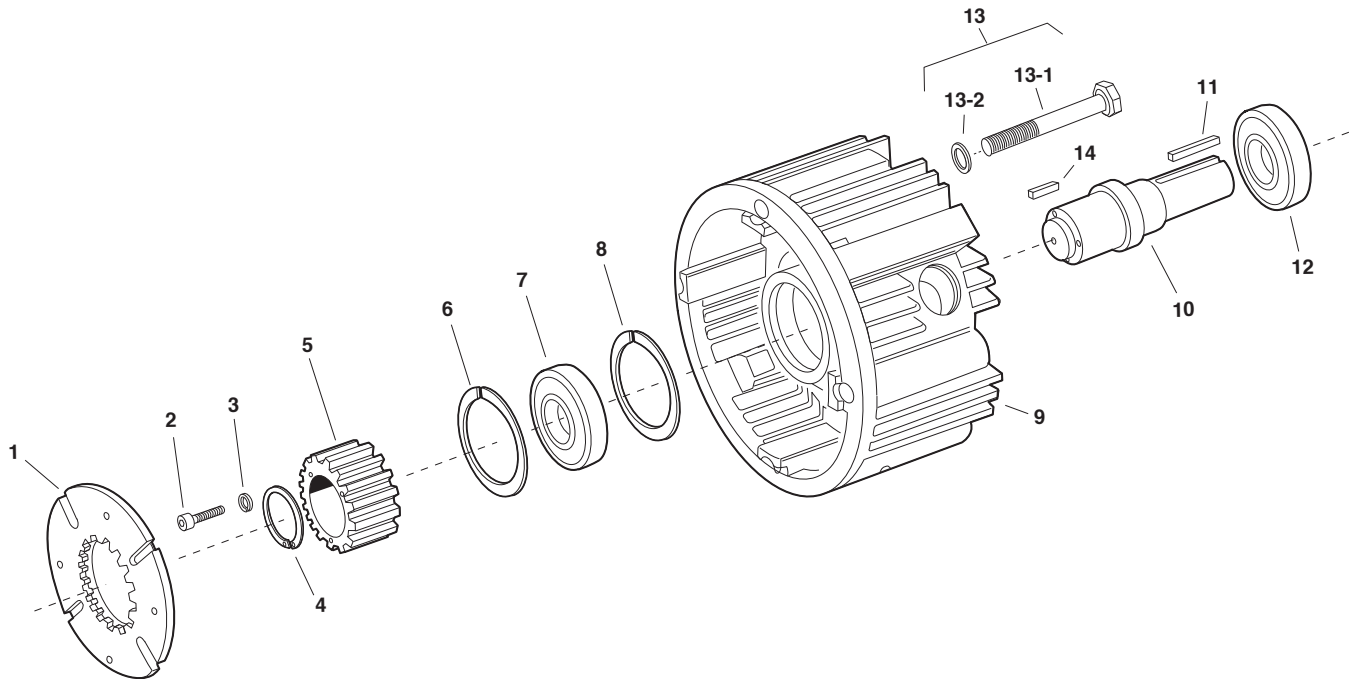


# EM Series Electro Module

## Original Design – 40 Output Clutch Module

Sizes 50, 100, 180 and 210



### Component Parts (Gray shaded areas indicate original design parts which will be available for a limited time)

Item	Description	EM-50		EM-100		EM-180		EM-210	
		Part No.	Qty.	Part No.	Qty.	Part No.	Qty.	Part No.	Qty.
1	Armature	5370-111-011	1	5370-111-013	1	5370-111-013	1	5371-111-005	1
2	Capscrew							797-0081	1
3	Lockwasher							950-0372	6
4	Retaining Ring	748-0445	1	748-0676	1	748-0676	1		
5	Hub	540-1638	1	540-1642	1	540-1642	1	540-2053	1
6	Retaining Ring	748-0113	1	748-0101	1	748-0101	1	748-0112	1
7	Ball Bearing	166-0149	1	166-0101	1	166-0101	1	166-0142	1
8	Retaining Ring	748-0113	2						
9	Housing	535-0131	1	535-0133	1	535-0133	1	535-0034	1
10	Shaft	798-0046	1	798-0128	1	798-0085	1	798-0051	1
11	Key	590-0029	1	590-0029	1	590-0029	1	590-0019	1
12	Ball Bearing	166-0155	1	166-0143	1	166-0143	1	166-0144	1
13	Mounting Accessory	5370-101-017	1	5370-101-017	1	5370-101-017	1		
	13-1 Capscrew	797-0353	4	797-0353	4	797-0353	4		
	13-2 Lockwasher	950-0354	4	950-0354	4	950-0354	4		
14	Key	590-0043	1	590-0084	1	590-0084	1		
	Key Accessory - Input	5370-101-072	1	5370-101-072	1	5370-101-072	1	5371-101-043	1

Refer to Service Manual P-213.

These units meet the standards of UL 508 and are listed under guide card #NMTR2, file #59164.



### Service Parts