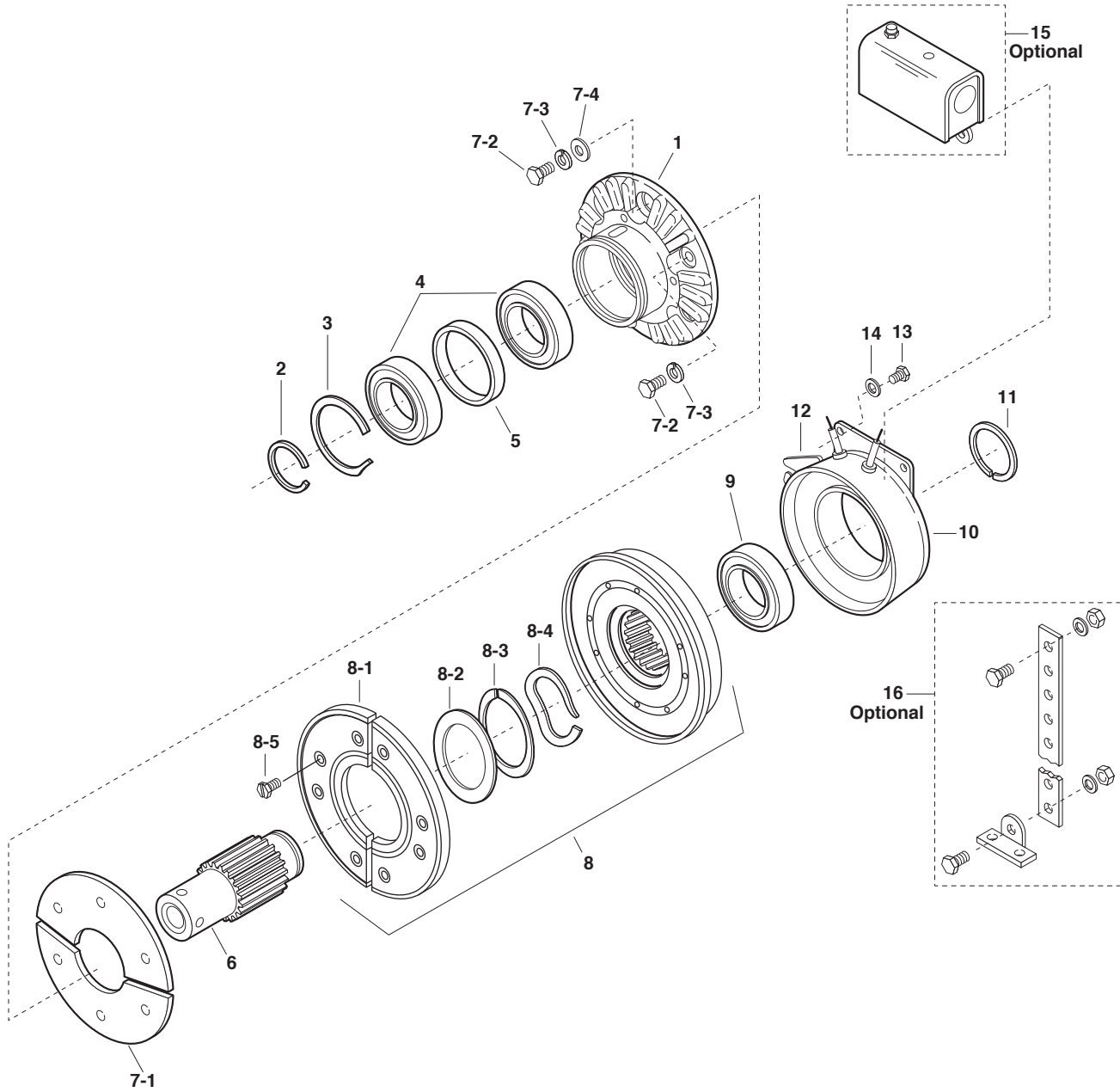


ATC Series AT Clutch

ATC-25, ATC-55, ATC-115



Service Parts

ATC Series AT Clutch

ATC-25, ATC-55, ATC-115

Component Parts

Item	Description	ATC-25		ATC-55		ATC-115	
		Part No.	Qty.	Part No.	Qty.	Part No.	Qty.
1	Armature Hub	540-0907	1	540-0852	1	540-0863	1
2	Retaining Ring	748-0732	1	748-0726	1	748-0737	1
3	Retaining Ring	748-0731	1	748-0728	1	748-0736	1
4	Bearing	166-0278	2	166-0277	2	166-0279	2
5	Spacer	807-0119	1	807-1061	1	807-1063	1
6	Splined Hub		1		1		1
	1/2" Bore	540-0910					
	5/8" Bore	540-0911					
	3/4" Bore	540-0912		540-1501			
	7/8" Bore	540-0913		540-1502			
	1" Bore			540-1503			
	1-1/8" Bore			540-1504		540-0857	
	1-1/4" Bore					540-0858	
	1-3/8" Bore				540-0859		
	1-1/2" Bore				540-0860		
*7-1	Armature	110-0220	1	110-0218	1	110-0223	1
*7-2	Screw	797-1519	4	797-1462	6	797-1463	6
*7-3	Lockwasher	950-0436	4	950-0355	6	950-0355	6
*7-4	Flatwasher			950-0023	2	950-0023	2
*8	Rotor	5161-751-001	1	5162-751-001	1	5163-751-001	1
8-1	Facing Assembly	5161-445-003	1	5162-445-003	1	5163-445-003	1
8-2	Retainer Plate					686-0108	1
8-3	Detent Ring	748-2031	1	748-2038	1	748-2020	1
8-4	Wave Spring	808-0404	1	808-0401	1	808-0384	2
8-5	Machine Screw	797-1389	8	797-1389	8	797-1389	8
*9	Bearing	166-0283	1	166-0284	1	166-0279	1
10	Field Assembly		1		1		1
	6 volts DC	5161-451-002		5162-451-002		5163-451-002	
	90 volts DC	5161-451-003		5162-451-003		5163-451-003	
	24 volts DC	5161-451-004		5162-451-004		5163-451-004	
*11	Retainer Ring	748-0018	1	748-0727	1	748-0737	1
12	Adapter					104-0300	2
13	Screw					797-1396	4
14	Lockwasher					950-0102	4
Optional Accessory Items							
15	Conduit box 100-1	5162-101-002	1	5162-101-002	1	5162-101-002	1
16	Restraining Arm Assembly	5162-101-004	1	5162-101-004	1	5163-101-004	1
Kit Items							
	* Clutch Rebuild Kit	5161-101-011	1	5162-101-011	1	5163-101-011	1
(includes items 7-1, 7-2, 7-3, 7-4, 8, 9, 11)							
Note: In some versions of this product, item 8 consists of a one (1) piece rotor.							
	Friction Face Replacement Kit	5161-101-007		5162-101-007		5163-101-007	
For Clutches with Replaceable Friction Face Only							
Mounting Accessory Kits (not shown)							
1	1/2" Bore - 3/4" Bore	5161-101-001					
1-1	Ring Retainer Ext.	748-0734	1				
1-2	Wire Retainer	742-0027	1				
1-3	Key	590-0104	1				
1-4	Setscrew	797-1393	2				
1	7/8" Bore	5161-101-002					
1-1	Ring Retainer Ext.	748-0734	1				
1-2	Wire Retainer	742-0027	1				
1-3	Key	590-0104	1				
1-4	Collar and Setscrew	266-0031	1				
1	3/4" Bore - 1" Bore			5162-101-001			
1-1	Ring Retainer Ext.			748-0725	1		
1-2	Wire Retainer			742-0026	1		
1-3	Key			590-0103	1		
1-4	Setscrew			797-1386	2		
1	1-1/8" Bore			5162-101-010			
1-1	Ring Retainer Ext.			748-0725	1		
1-2	Wire Retainer			742-0026	1		
1-3	Key			590-0103	1		
1-4	Setscrew			797-1077	2		
1-5	Collar			266-0032	1		
1	All bore sizes					5163-101-001	
1-1	Ring Retainer Ext.					748-0738	1
1-2	Wire Retainer					742-0026	1
1-3	Key					590-0105	1
1-4	Setscrew					797-1395	2