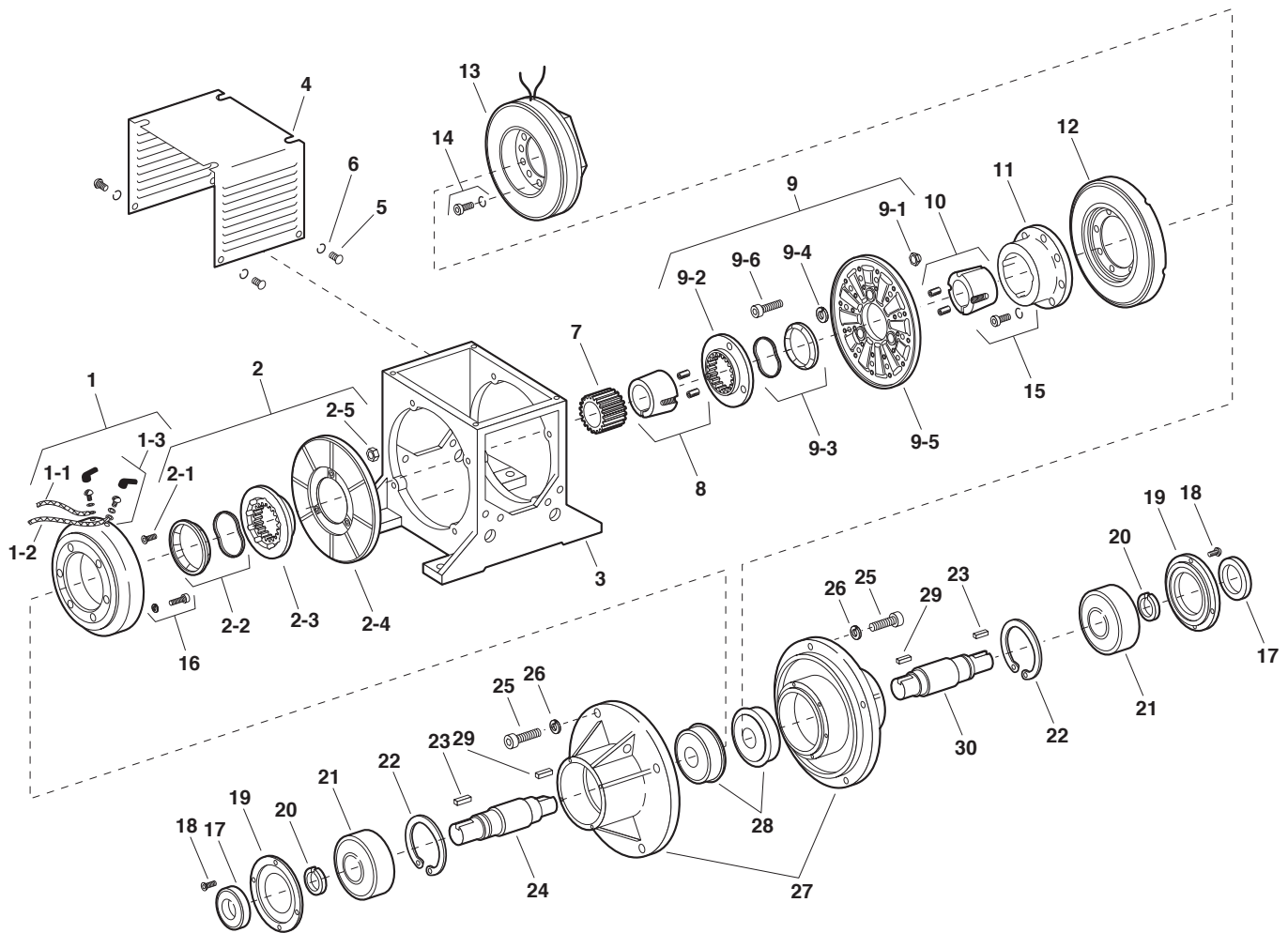


# EP Series Electro Pack

## EP-1000



### Service Parts

### Component Parts

Item	Description	Part No.	Qty.
<b>1</b>	Magnet Assembly		1
	6 volt	5312-631-004	
	24 volt	5312-631-005	
	90 volt	5312-631-006	
<b>1-1</b>	Wire Assembly	5232-954-003	1
<b>1-2</b>	Wire Assembly	5232-954-004	1
<b>1-3</b>	Terminal Accessory	5311-101-001	1
<b>2</b>	Armature & Splined Adapter	5322-111-002	1
<b>2-1</b>	Button Head Screw	797-0272	1
<b>2-2</b>	Autocap Accessory	5322-101-004	1
<b>2-3</b>	Splined Arm, Adapter	104-0009	1
<b>2-4</b>	Armature	5322-111-036	1
<b>2-5</b>	Locknut	661-0004	3
<b>3</b>	Frame	174-0043	1
<b>4</b>	Dust Cover	287-0052	1
<b>5</b>	Button Head Screw	797-1175	8
<b>6</b>	Lockwasher	950-0103	8
<b>7</b>	Splined Armature Hub	540-0061	1
<b>8</b>	Bushing, 1-7/8" Bore	180-0177	1
<b>9</b>	Armature & Splined Adapter	5202-111-001	1
<b>9-1</b>	Locknut	661-0004	3
<b>9-2</b>	Splined Armature Adapter	104-0009	1
<b>9-3</b>	Autogap Accessory	5322-101-004	1
<b>9-4</b>	Spacer	748-0333	3
<b>9-5</b>	Armature	5322-111-036	1

Refer to Service Manual P-212.

These units meet the standards of UL508 and are listed under guide card #NMTR, file #59164.



Item	Description	Part No.	Qty.
<b>9-6</b>	Capscrew	797-0341	3
<b>10</b>	Bushing, 2" Bore	180-0179	1
<b>11</b>	Rotor Hub	540-0315	1
<b>12</b>	Rotor	5202-751-003	1
<b>13</b>	Field Assembly		1
	6 volt	5202-451-004	
	24 volt	5202-451-006	
	90 volt	5202-451-007	
<b>14</b>	Mounting Accessory	5321-101-001	1
<b>15</b>	Mounting Accessory	5201-101-007	1
<b>16</b>	Mounting Accessory	5321-101-001	1
<b>17</b>	Oil Seal	795-0024	2
<b>18</b>	Button Head Screw	797-1008	8
<b>19</b>	Retainer Plate	686-0047	2
<b>20</b>	Retainer Ring – External	748-0504	2
<b>21</b>	Ball Bearing	166-0130	2
<b>22</b>	Retainer Ring – Internal	748-0375	2
<b>23</b>	Key	590-0024	2
<b>24</b>	Shaft, Brake	798-0026	1
<b>25</b>	Capscrew	797-0361	8
<b>26</b>	Lockwasher	950-0362	8
<b>27</b>	Bearing Housing	535-0012	2
<b>28</b>	Ball Bearing	166-0131	2
<b>29</b>	Key	590-0025	2
<b>30</b>	Shaft, Clutch	798-0025	1

### Service Parts