

# ATB Series AT Brake

## Replaceable Armature Faces Assure Minimum Downtime

Rugged, two piece replaceable steel wear surface and precision cast iron components. Superior wear life, torque capacity and magnetic characteristics.

Two piece molded friction disc replaceable without disassembly of unit in most applications. Long life, low noise.

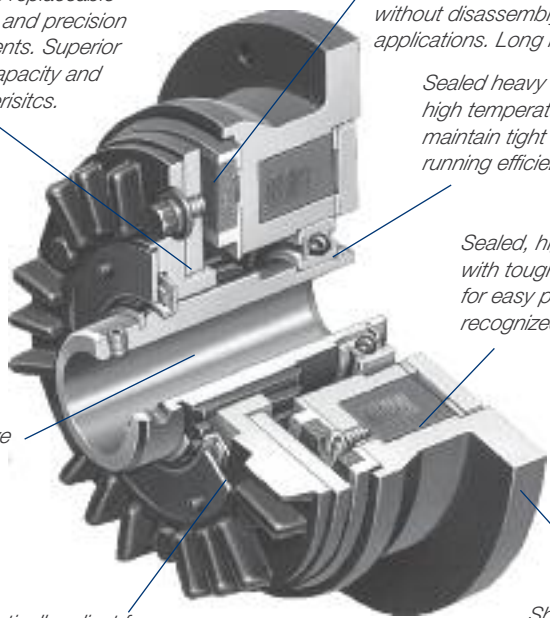
Sealed heavy duty bearing with high temperature lubricant maintain tight concentricities and running efficiency.

Sealed, high temperature coil with tough teflon lead wires for easy power hookup. UL recognized.

Rugged spline drive

Autogaps™ automatically adjust for wear. Consistent engagement times and repeatability for the life of the unit.

Shaft mounted with torque arm restraint.



## Ordering Information

### Part Numbers

Model Size	Bore Size	Voltage DC	Part No.
ATB-25	1/2"	6	5191-170-002
		24	5191-170-010
		90	5191-170-003
	5/8"	6	5191-170-004
		24	5191-170-011
		90	5191-170-005
	3/4"	6	5191-170-006
		24	5191-170-012
		90	5191-170-007
ATB-55	7/8"	6	5191-170-008
		24	5191-170-013
		90	5191-170-009
	3/4"	6	5192-170-002
		24	5192-170-010
		90	5192-170-003
	7/8"	6	5192-170-004
		24	5192-170-011
		90	5192-170-005
1"	6	5192-170-006	
	24	5192-170-012	
	90	5192-170-007	
ATB-115	1-1/8"	6	5192-170-008
		24	5192-170-013
		90	5192-170-009
	1-1/8"	6	5193-170-002
		24	5193-170-010
		90	5193-170-003
	1-1/4"	6	5193-170-004
		24	5193-170-011
		90	5193-170-005
1-3/8"	6	5193-170-006	
	24	5193-170-012	
	90	5193-170-007	
1-1/2"	6	5193-170-008	
	24	5193-170-013	
	90	5193-170-009	

ATB Brakes are completely assembled at the factory and have been specifically designed to match the torque ratings of standard motors, reducers, and other power transmission components. They feature a replaceable friction face, which has been designed to provide superior wear life with reduced engagement noise level wear and consistent torque capacity. Wear surfaces can, in many cases, be replaced without removing the unit from the shaft.

### 4. Select Control

A simple, built-in AC to DC control is optional for 90 volt AT Brakes.

Complete control information is found in the Controls Section. Selection is by required function.

## Selection

### 1. Determine Model Size

Determine the motor horsepower and shaft speed (in RPM) at the brake location.

The correct size unit is shown at the intersection of HP and shaft speed in the chart below.

### 2. Determine Bore Size

Select bore size and determine part number for correct size brake from parts lists starting on this page.

### 3. Select Options

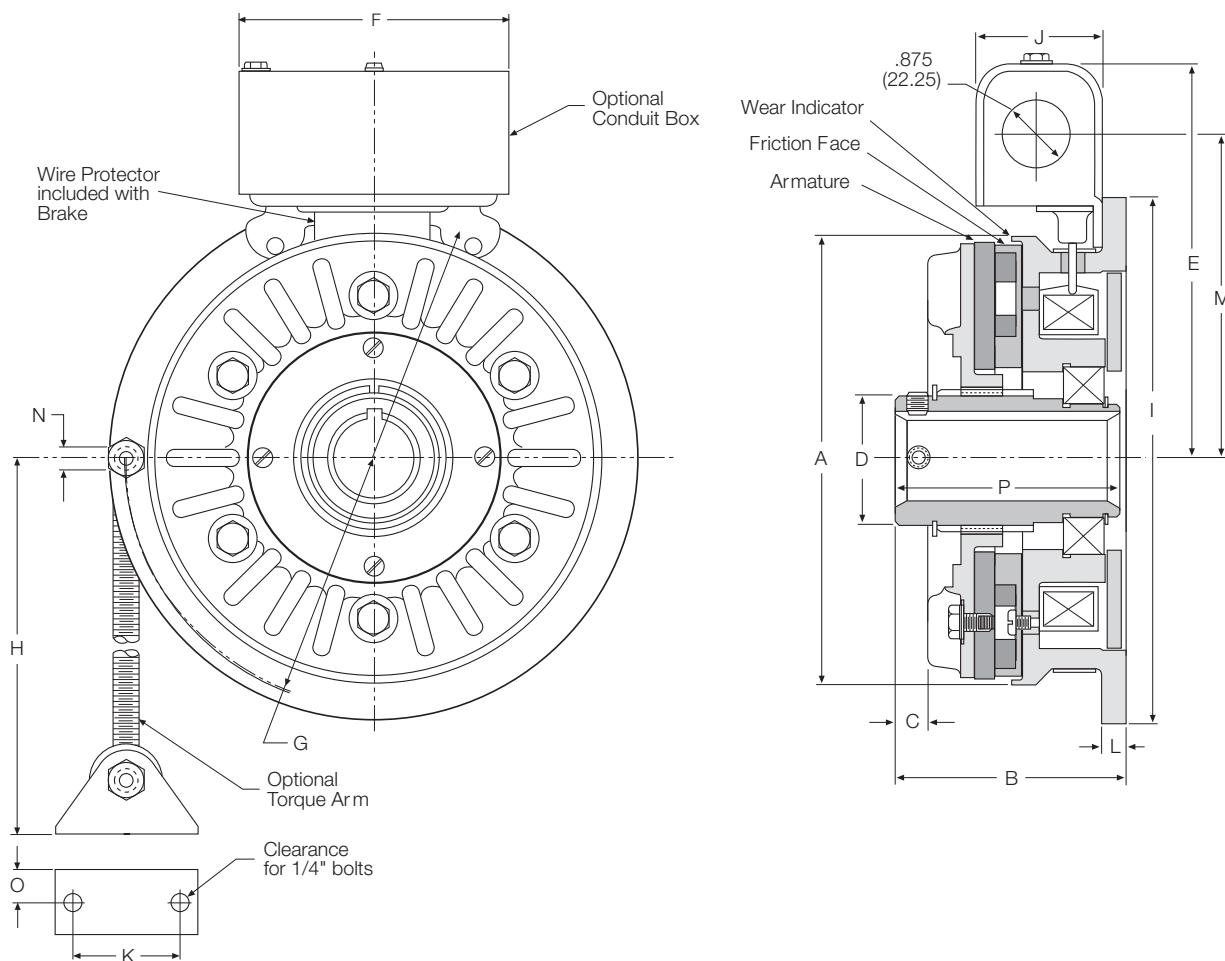
Refer to the Standard Sheaves and Pulley chart to choose an optional Warner Electric standard pulley or obtain information for fitting other pulleys or sprockets.

## Horsepower vs. Shaft Speed

HP	SHAFT SPEED (IN RPM)																		
	100	200	300	400	500	600	700	800	900	1000	1100	1200	1500	1800	2000	2400	3000	3600	
1/4																			
1/2																			
3/4																			
1																			
1-1/2																			
2																			
3																			
5																			
7-1/2																			
10																			
15																			
20																			
25																			
30																			
35																			

# ATB Series AT Brake

## ATB-25, ATB-55, ATB-115



### Dimensions

All dimensions are nominal, unless otherwise noted.

Model	A Max. Dia.	B Max.	C Min. Dia.	D Max.	E Nom.	F Max.	G Nom.	H Max.
25	4.822 (122.48)	2.843 (72.21)	.354 (8.99)	1.345 (34.16)	4.748 (120.60)	3.767 (95.68)	2.406 (61.11)	9.03 (229.36)
55	6.271 (159.28)	3.224 (91.89)	.281 (7.14)	1.756 (44.83)	5.37 (136.40)	3.767 (95.68)	3.00 (76.20)	11.19 (284.23)
115	7.906 (200.81)	4.115 (104.52)	.687 (17.45)	2.150 (54.61)	6.278 (159.46)	3.767 (95.68)	3.781 (96.04)	11.19 (284.23)

Model	I Max. Dia.	J Nom.	K Min. Nom.	L Max.	M Nom.	N Min.	O Nom.	P Max.
25	5.760 (146.30)	1.544 (39.22)	1.500 (38.10)	.195 (4.95)	3.586 (91.08)	.280 (7.11)	.312 (7.92)	2.765 (70.23)
55	7.375 (187.33)	1.544 (39.22)	1.50 (38.10)	.491 (12.47)	4.208 (106.88)	.375 (9.53)	.375 (9.53)	3.105 (78.87)
115	9.00 (228.60)	1.544 (39.22)	1.50 (38.10)	.463 (11.76)	5.116 (129.95)	.375 (9.53)	.375 (9.53)	3.955 (100.46)

### Bore Sizes and Keyways

Size	Unit Bore		Key
ATB-25	.5025	12.76	1/8 Sq.
	.5005	12.71	
	.6275	15.94	3/16 Sq.
.6255	15.89		
ATB-25	.7525	19.11	3/16 Sq.
ATB-55	.7505	19.06	
ATB-25	.8775	22.29	3/16 Sq.
ATB-55	.8755	22.24	
ATB-55	1.0025	25.46	1/4 Sq.
	1.0005	25.41	
ATB-55	1.1275	28.64	1/4 Sq.
ATB-115	1.1255	28.59	
ATB-115	1.2525	31.81	1/4 Sq.
	1.2505	31.76	
	1.3775	34.99	
	1.3755	34.94	5/16 Sq.
	1.5025	38.16	
1.5005	38.11	3/8 Sq.	

### Specifications

Model Size	Voltage DC	Static Torque lb. ft.	Max. RPM	Weight lbs.	Inertia-WR <sup>2</sup> lb.-ft. <sup>2</sup>	Dynamic Torque @ 1800 RPM
25	6, 24 or 90	25	3600	7	.038	12 lb. ft.
55	6, 24 or 90	55	3600	15	.126	20 lb. ft.
115	6, 24 or 90	115	3600	24	.383	30 lb. ft.