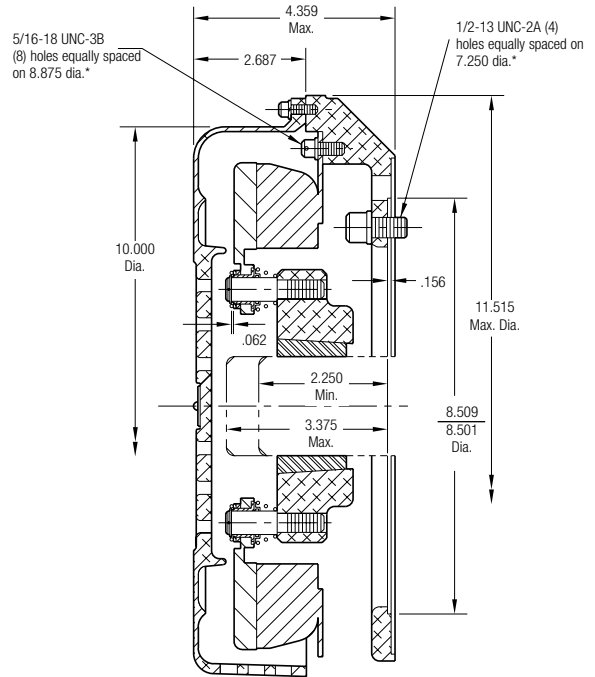
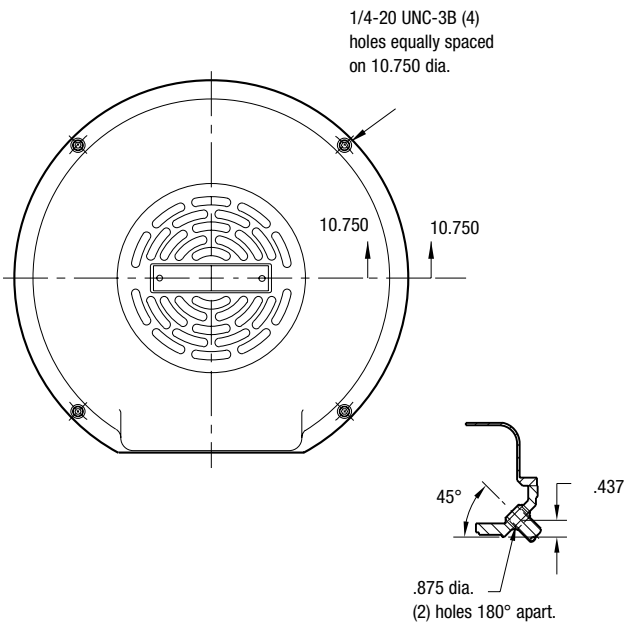


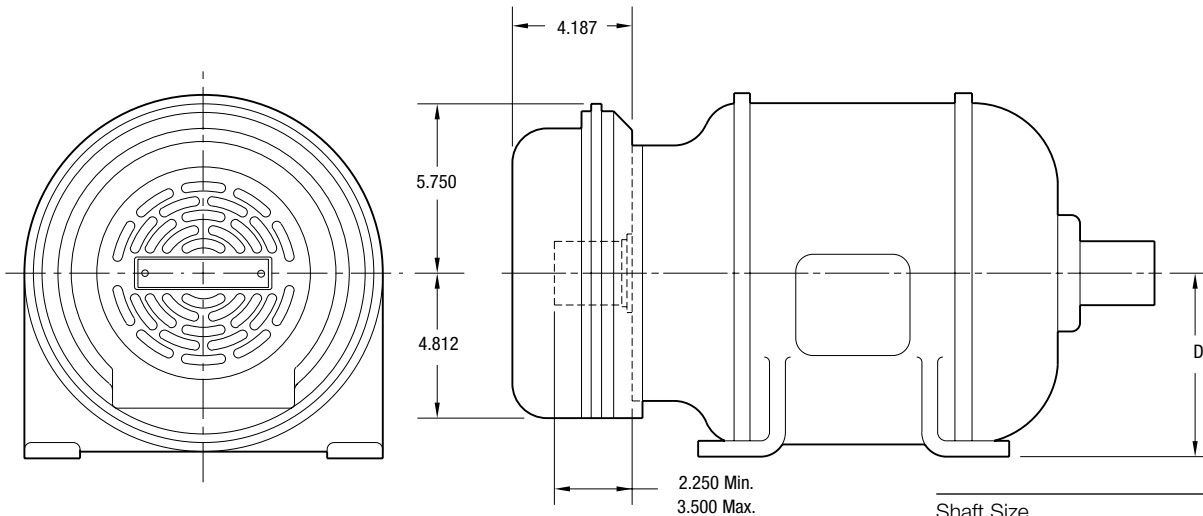
MB Series Motor Brake

MB-825 Flange Mounted Normal Duty



Installation

* Mounting holes are within .006 of true position.



NEMA Frame Sizes	Dim. D
213C & 215C or TC	5.250
254C & 256C or TC	6.250

Shaft Size	.500 – 1.625
Static Torque	80 lb. ft.
Maximum Speed	4,000 rpm
Standard Voltage	D.C. 90



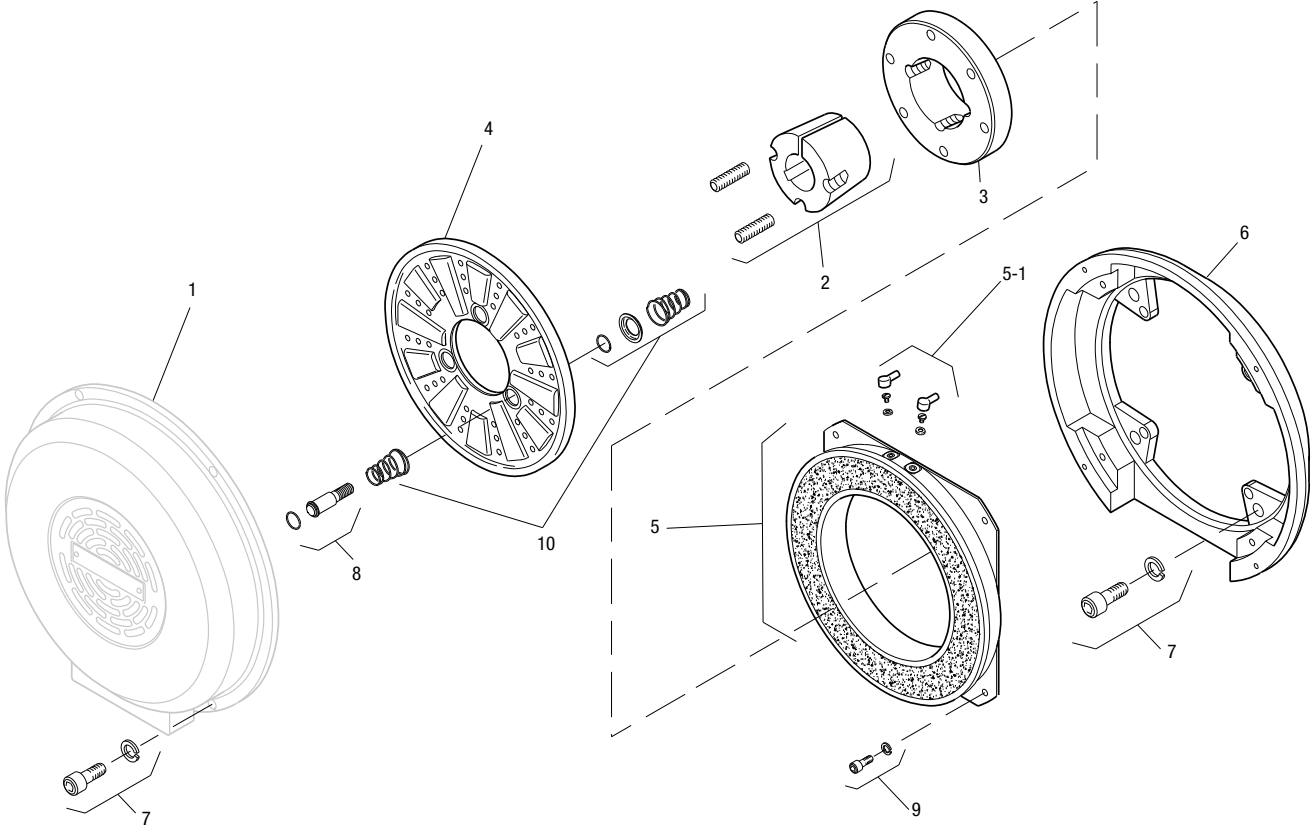
All dimensions are nominal unless otherwise noted.

Information on inertia and weights begins on page 239. Coil data is on pages 250 and 251.

MB Series Motor Brake

Drawing I-25572

MB-825 Flange Mounted Normal Duty



Item	Description	Part Number	Qty.
1	Cover	5351-288-001	N/A
2	Bushing*		1
	1/2" to 1-5/8" Bore	180-0131 to 180-0149	
3	Armature Hub	540-0394	1
4	Armature	5301-111-018	1
5	Magnet - 90 Volt	5351-631-001	1
5-1	Terminal Accessory	5311-101-001	1
6	Adapter	5351-105-001	1
7	Mounting Accessory	5351-101-003	1
8	Drive Pin and Retainer	5301-101-001	3
9	Mounting Accessory	5321-101-002	1
10	Spring Accessory	5301-101-014	1

How to Order:

1. MB-825 Adapts to NEMA C Face, Double Shaft Motors, Frame Sizes 213 C, 215 C, 254 UC and 256 UC.
2. Specify Bore Size for Item 2. (Frame size determines bore).
3. See Controls Section.

Example:

MB-825 Motor Brake per I-25572 - 90 Volt, 7/8" Bore
 These units meet the standards of UL508 and are listed under guide card #NMTR2, file #59164. These units are CSA certified under file #LR11543.

*See page 252 for specific part numbers.

Refer to Service Manual P-0208-WE