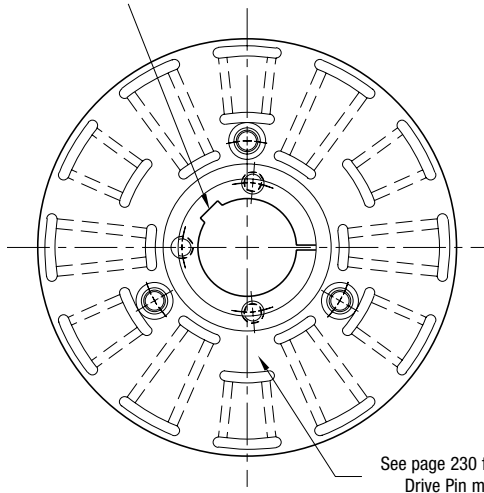


PCB Series Clutch/Brake

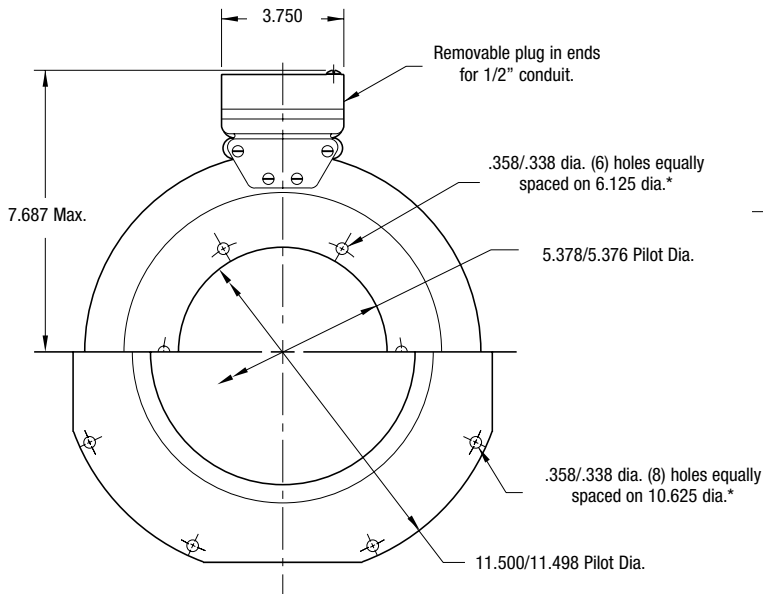
PCB-1000 Normal Duty

See page 252 for details on Bushings.

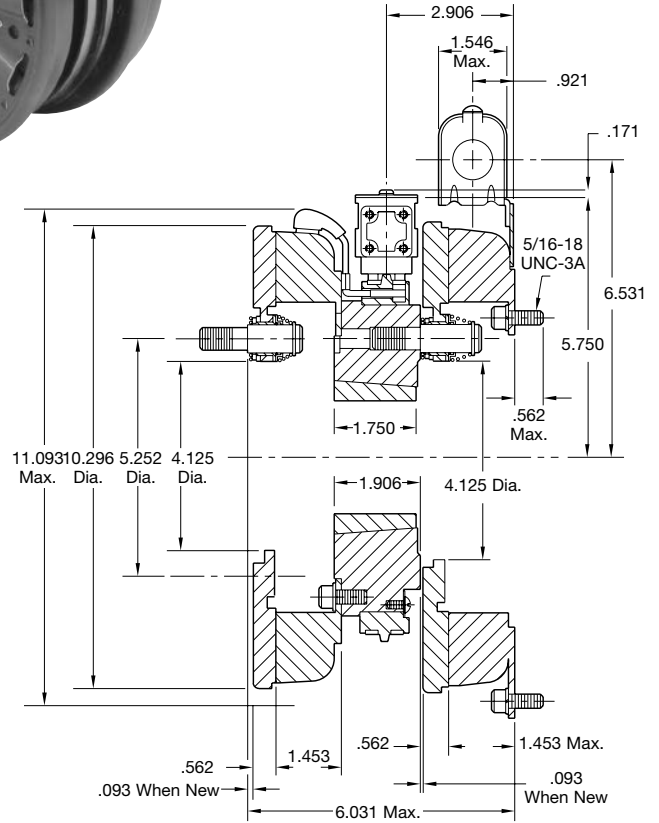


ARMATURE VIEW

See page 230 for details on Drive Pin mountings.



**MAGNET VIEW
(Inside & Outside Mounted)**



* Mounting holes are within .010 of true position relative to pilot diameter.

Customer Shall Maintain:

1. Concentricity of brake mounting pilot diameter with mounting shaft within .010 T.I.R.
2. Squareness of brake magnet mounting face with mounting shaft within .006 T.I.R. measured at magnet mounting bolt circle.



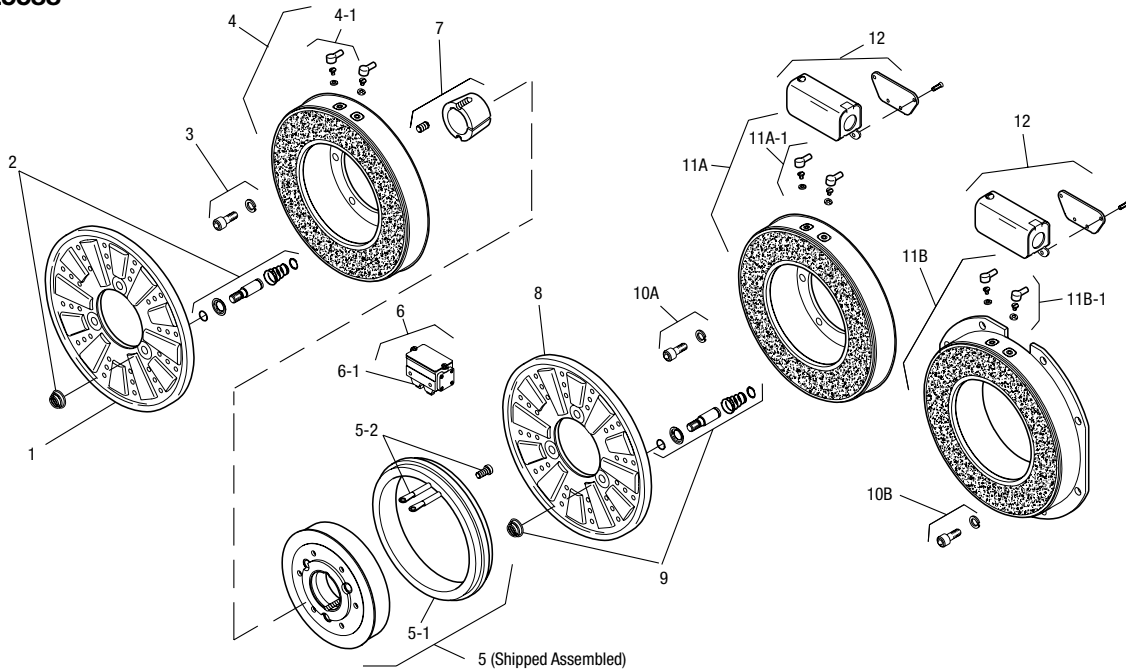
| | |
|------------------|----------------|
| Shaft Size | .500 – 2.500 |
| Static Torque | 240 lb. ft. |
| Maximum Speed | 3,600 rpm |
| Standard Voltage | D.C. 6, 24, 90 |

All dimensions are nominal unless otherwise noted.

Information on inertia and weights begins on page 239. Coil data is on pages 250 and 251.

PCB-1000 Normal Duty

Drawing I-25588



| Item | Description | Part Number | Qty. |
|------|---------------------------|----------------------|------|
| 1 | Armature | 5302-111-013 | 1 |
| 2 | Autogap Accessory | 5201-101-008 | 3 |
| 3 | Mounting Accessory | 5321-101-001 | 1 |
| 4 | Magnet | | 1 |
| | 6 Volt | 5302-631-003 | |
| | 24 Volt | 5302-631-014 | |
| | 90 Volt | 5302-631-005 | |
| | †90 Volt LK Facing | 5302-631-001 | |
| 4-1 | Terminal Accessory | 5311-101-001 | 1 |
| 5 | Magnet Hub | | 1 |
| | Left Hand (shown) | 5302-541-001 | |
| | Right Hand | 5302-541-002 | |
| 5-1 | Collector Ring | 5301-749-001 | 1 |
| 5-2 | Collector Ring Assembly | 5302-101-002 | 1 |
| 6 | Brushholder | 5300-178-001 | 1 |
| 6-1 | Brush | 176-0001 | 4 |
| 7 | Bushing* | | 1 |
| | 1/2" to 2-1/2" Bore | 180-0185 to 180-0217 | |
| 8 | Armature | 5302-111-013 | 1 |
| 9 | Autogap Accessory | 5201-101-008 | 3 |
| 10A | Mounting Accessory - I.M. | 5321-101-001 | 1 |
| 10B | Mounting Accessory - O.M. | 5321-101-002 | 2 |
| 11A | Magnet - Inside Mounted | | 1 |
| | 6 Volt | 5312-631-004 | |
| | 24 Volt | 5312-631-005 | |

| Item | Description | Part Number | Qty. |
|-------|--------------------------|--------------|------|
| | 90 Volt | 5312-631-006 | |
| | †90 Volt LK Facing | 5312-631-001 | |
| 11A-1 | Terminal Accessory | 5311-101-001 | 1 |
| 11B | Magnet - Outside Mounted | | 1 |
| | 6 Volt | 5312-631-011 | |
| | 24 Volt | 5312-631-013 | |
| | 90 Volt | 5312-631-012 | |
| | †90 Volt LK Facing | 5312-631-002 | |
| 11B-1 | Terminal Accessory | 5311-101-001 | 1 |
| 12 | Conduit Box | 5200-101-011 | 1 |

How to Order:

1. Specify Voltage for Item 4 and Item 11A or 11B.
2. Specify left hand or right hand hub for Item 5. Bushing enters from magnet side for L.H. hub and from hub side for R.H.
3. Specify Bore Size for Item 7.
4. Specify Inside Mounted for Items 10A and 11A or Outside Mounted for Items 10B and 11B.
5. See Controls Section.

Example:

PCB-1000 Clutch Brake per I-25588 - 90 Volt, Left Hand hub, 1-1/2" Bore, Inside Mounted

These units meet standards set forth in UL508 and are listed under guide card #NMTR2, file #59164. These units are CSA certified under file #LR11543

*See page 252 for specific part numbers.

Refer to Service Manual P-0205-WE

†Optional LK facing available. For more information, see page 232.