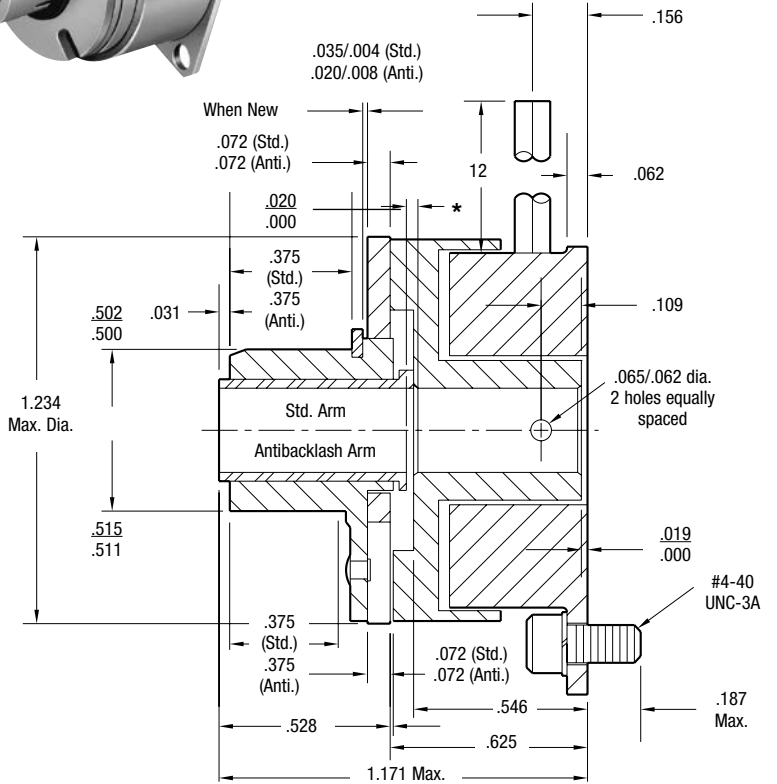
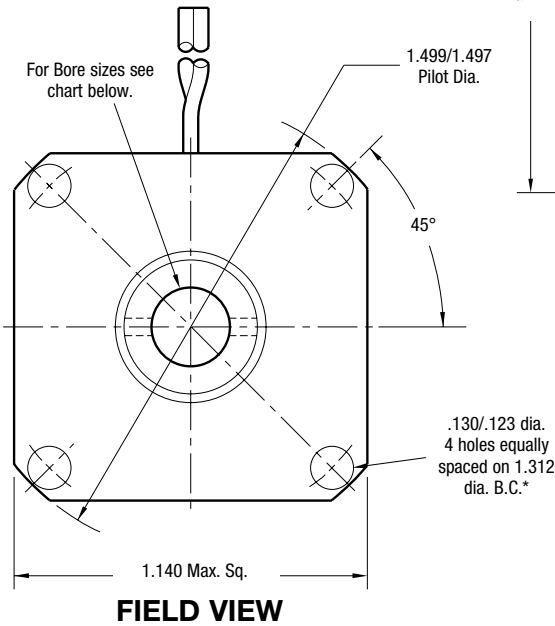
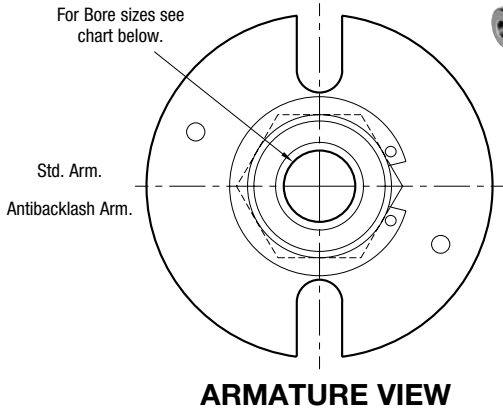
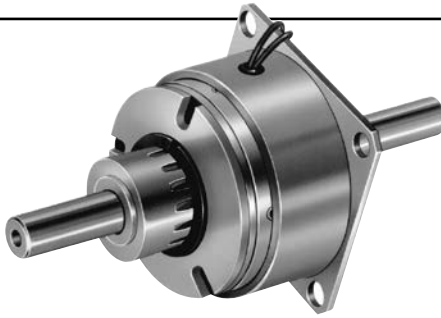


# SF Series Clutch

## SF-120 Flange Mounted



### Bore Dimensions

| Rotor Bore Dia. | Armature Bore Dia. |
|-----------------|--------------------|
| .188/.187       | .195/.190          |
| .251/.250       | .257/.252          |
| .313/.312       | —                  |

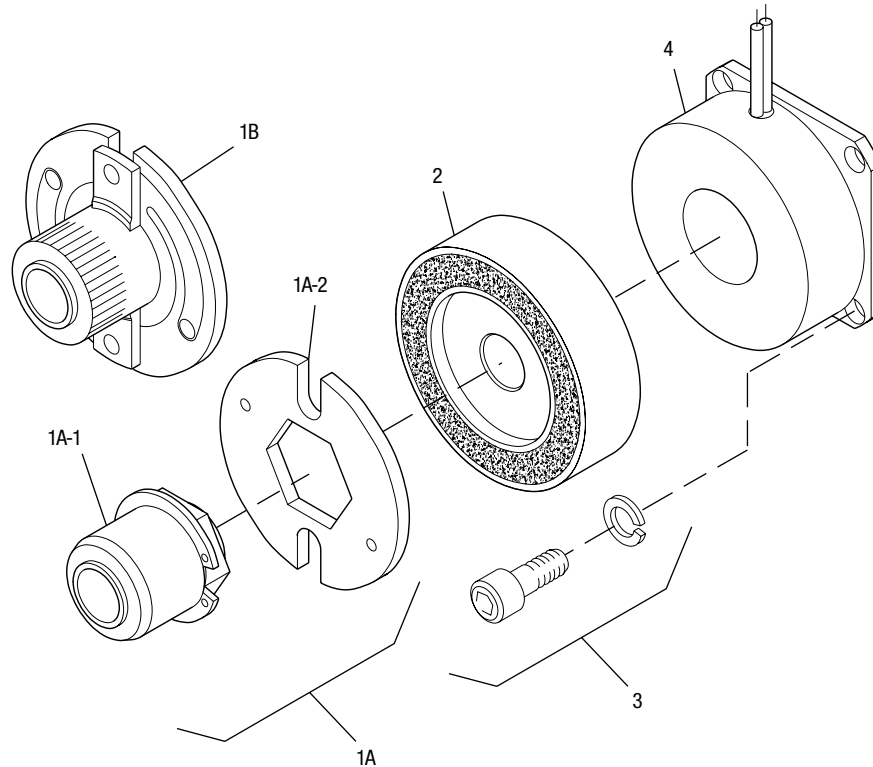
|                  |                |
|------------------|----------------|
| Static Torque    | 5 lb.in.       |
| Maximum Speed    | 3,600 rpm      |
| Standard Voltage | D.C. 6, 24, 90 |

All dimensions are nominal unless otherwise noted.

Information on inertia and weights begins on page 239. Coil data is on pages 250 and 251.



Drawing I-25508



| Item | Description           | Part Number  | Qty. |
|------|-----------------------|--------------|------|
| 1A   | Armature and Hub      |              |      |
| 1A-1 | Armature Hub          |              | 1    |
|      | 3/16" Bore            | 5602-541-009 |      |
|      | 1/4" Bore             | 5602-541-008 |      |
| 1A-2 | Armature              | 110-0110     | 1    |
| 1B   | Antibacklash Armature |              | 1    |
|      | 3/16" Bore            | 5602-111-002 |      |
|      | 1/4" Bore             | 5602-111-003 |      |
|      | 5/16" Bore            | 5602-111-007 |      |
| 2    | Rotor                 |              | 1    |
|      | 3/16" Bore            | 5602-751-004 |      |
|      | 1/4" Bore             | 5602-751-002 |      |
|      | 5/16" Bore            | 5602-751-003 |      |
| 3    | Mounting Accessory    | 5101-101-001 | 1    |
| 4    | Field                 |              | 1    |
|      | 6 Volt                | 5602-451-003 |      |
|      | 24 Volt               | 5602-451-005 |      |
|      | 90 Volt               | 5602-451-007 |      |

### How to Order:

1. Specify Type of Armature Desired.
2. Specify Bore Size for Item 1A-1 or 1B and Item 2.
3. Specify Voltage for Item 4.
4. See Controls Section.

### Example:

SF-120 Clutch per I-25508 - 90 Volt  
 Standard Armature  
 1/4" Armature Hub Bore  
 1/4" Rotor Bore

These units meet standards set forth in UL508 and are listed under guide card #NMTR2, file #59164.

These units are CSA certified under file #LR11543.

Refer to Service Manual P-0200-WE