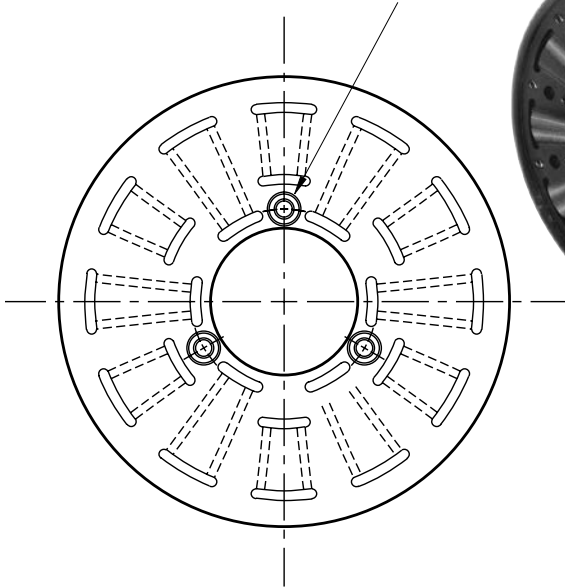


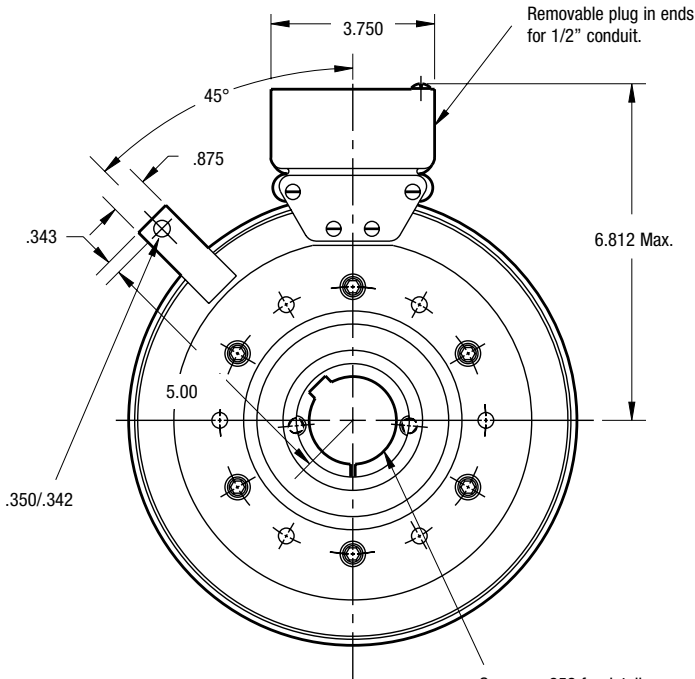
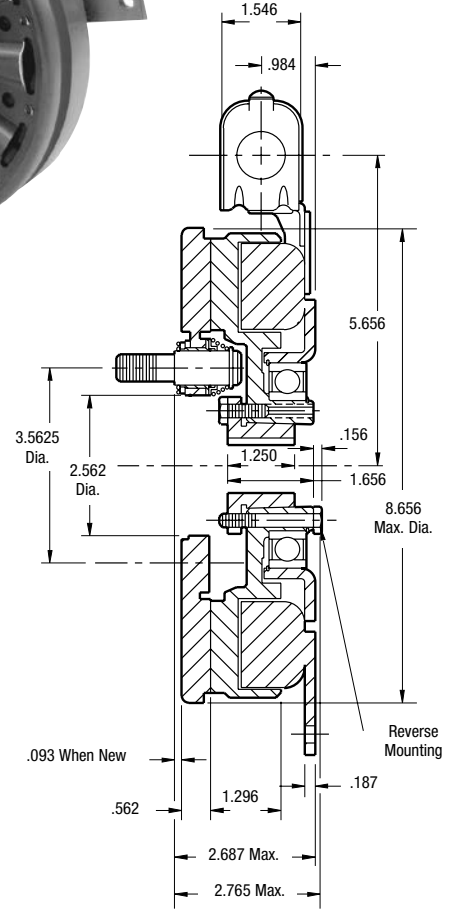
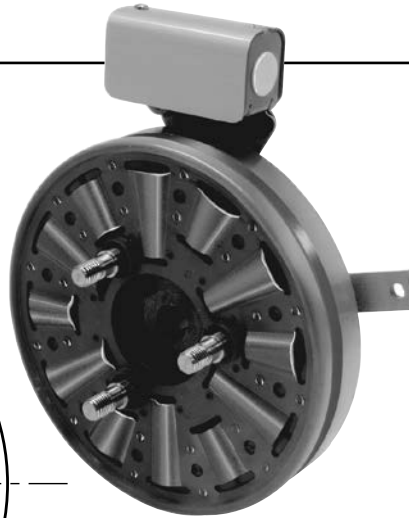
# Series SF Clutch

## SF-825 Bearing Mounted Normal Duty

See page 230 for details on Drive Pin Mountings.



**ARMATURE VIEW**



**FIELD VIEW**

See page 252 for details on Bushings.

|                  |                |
|------------------|----------------|
| Shaft Size       | .500 – 1.500   |
| Static Torque    | 150 lb.ft.     |
| Maximum Speed    | 3,600 rpm      |
| Standard Voltage | D.C. 6, 24, 90 |

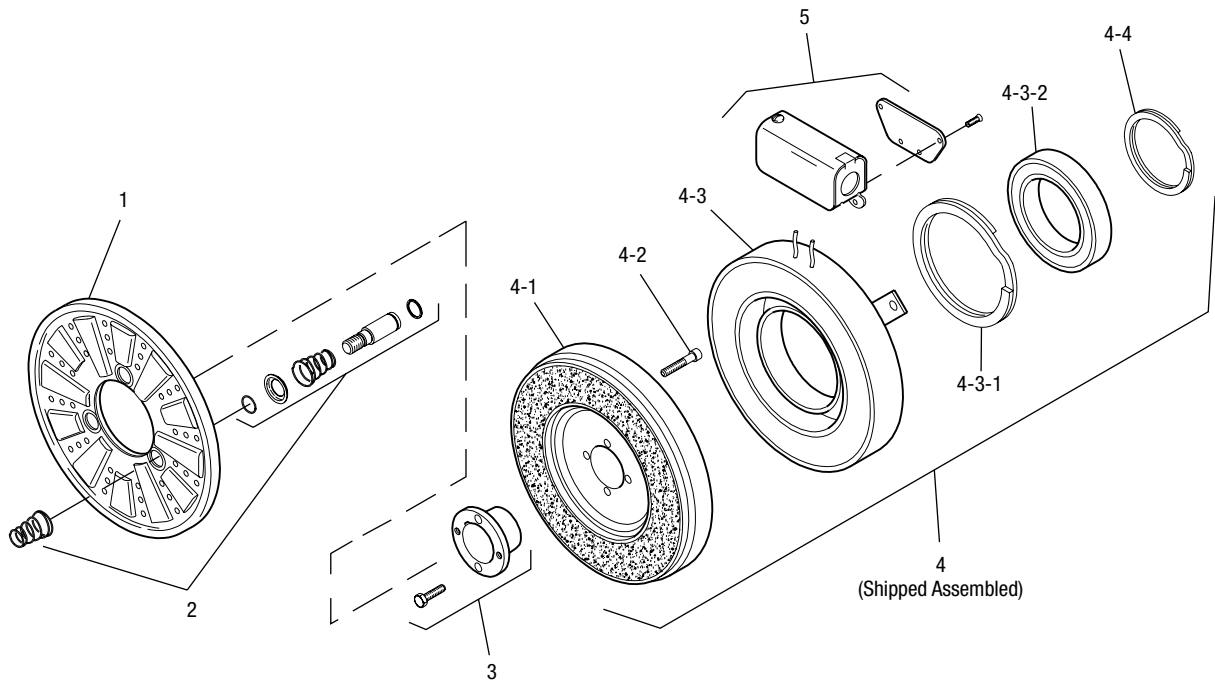
All dimensions are nominal unless otherwise noted.

Information on inertia and weights begins on page 239. Coil data is on pages 250 and 251.



Drawing I-25575

## SF-825 Bearing Mounted Normal Duty



| Item  | Description                | Part Number          | Qty. |
|-------|----------------------------|----------------------|------|
| 1     | Armature                   | 5301-111-018         | 1    |
| 2     | Autogap Accessory          | 5201-101-008         | 3    |
| 3     | Bushing*                   |                      | 1    |
|       | 1/2" to 1-1/2" Bore        | 180-0002 to 180-0018 |      |
| 4     | Field & Rotor Assembly     |                      | 1    |
|       | 6 Volt                     | 5201-452-002         |      |
|       | 24 Volt                    | 5201-452-004         |      |
|       | 90 Volt                    | 5201-452-006         |      |
| 4-1   | Rotor                      |                      | 1    |
|       | Standard Friction Material | 5201-751-008         |      |
|       | †Optional LK Facing        | 5201-751-014         |      |
| 4-2   | Mounting Accessory         | 5201-101-005         | 1    |
| 4-3   | Field & Bearing Assembly   |                      | 1    |
|       | 6 Volt                     | 5201-451-054         |      |
|       | 24 Volt                    | 5201-451-056         |      |
|       | 90 Volt                    | 5201-451-057         |      |
| 4-3-1 | Retainer Ring              | 748-0111             | 1    |
| 4-3-2 | Ball Bearing               | 166-0142             | 1    |
| 4-4   | Retainer Ring              | 748-0016             | 1    |
| 5     | Conduit Box                | 5200-101-012         | 1    |

### How to Order:

1. Specify Bore Size for Item 3.
2. Specify Voltage for Item 4.
3. See Controls Section.

### Example:

SF-825 Clutch per I-25575 - 90 Volt, 1" Bore

These units, when used in conjunction with the correct Warner Electric conduit box, meet the standards of UL508 and are listed under guide card #NMTR, file #59164. These units are CSA certified under file #LR11543.

\*See page 252 for specific part numbers.

Refer to Service Manual P-0215-WE

†Optional LK facing available. For more information, see page 232.