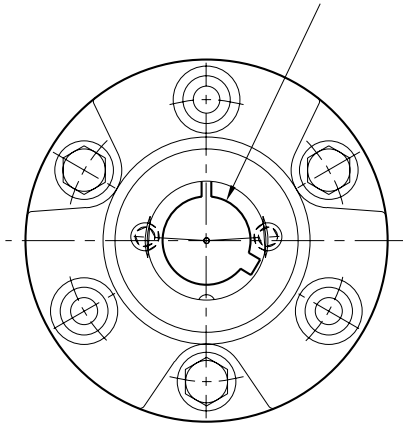


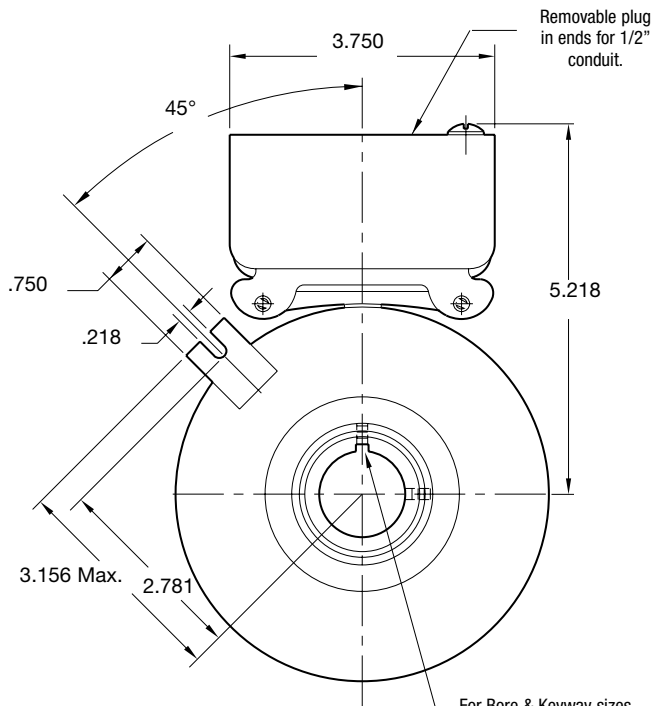
# SFC Series Clutch Coupling

## SFC-500 Bearing Mounted Normal Duty

See page 252 for details on Bushings & keyways.

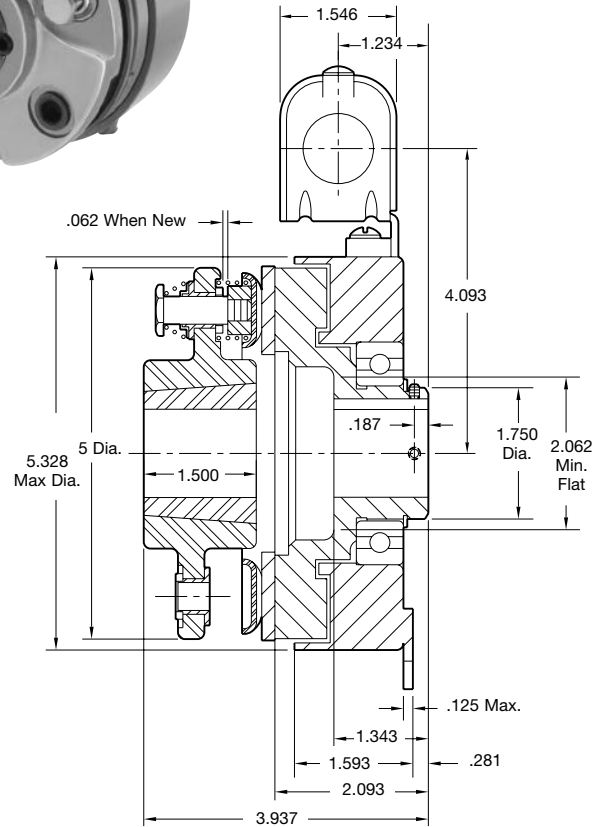


**HUB VIEW**



**FIELD VIEW**

For Bore & Keyway sizes see chart below.



### Bore & Keyway Dimensions

Rotor Bore Dia.	Keyway
.751/.750	.187 x .093
.876/.875	
.9385/.9375	
1.001/1.000	.250 x .125
1.126/1.125	
1.251/1.250	

Armature Shaft	.500 – 1.250
Rotor Shaft	.750 – 1.250
Static Torque	50 lb.ft.
Maximum Speed	4,000 rpm
Standard Voltage	D.C. 6, 24, 90

### Customer Shall Maintain:

1. Armature mounting shaft to be concentric with rotor mounting shaft within .006 T.I.R.



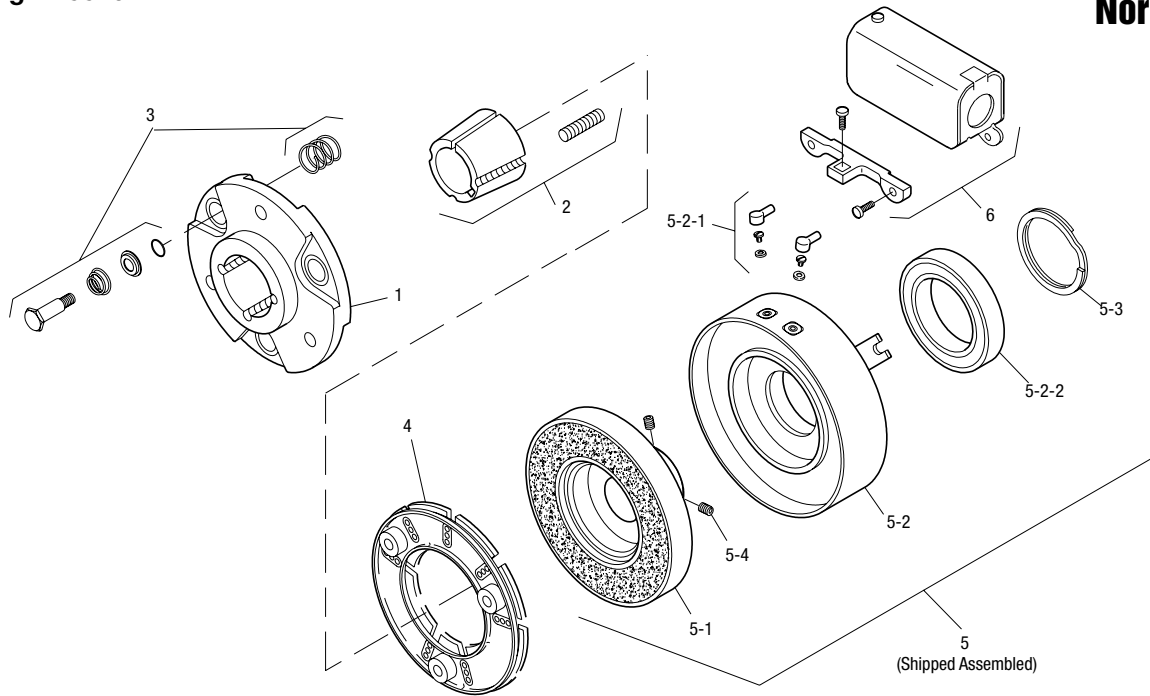
All dimensions are nominal unless otherwise noted.

Information on inertia and weights begins on page 239. Coil data is on pages 250 and 251.

# SFC Series Clutch Coupling

Drawing I-25540

## SFC-500 Bearing Mounted Normal Duty



Item	Description	Part Number	Qty.
1	Armature Hub		1
	Standard Hub	5300-541-004	
	Optional Bronze Bushings	5300-541-014	
2	Bushing*		1
	1/2" to 1 1/4" Bore	180-0116 to 180-0128	
3	Autogap Accessory	5200-101-009	3
4	Armature		1
	Segmented-Standard	5300-111-002	
	Solid	110-0241	
5	Field and Rotor Assembly		1
	90 Volt – 5/8" Bore	5200-452-115	
	6 Volt – 3/4" Bore	5200-452-002	
	24 Volt – 3/4" Bore	5200-452-004	
	90 Volt – 3/4" Bore	5200-452-005	
	6 Volt – 7/8" Bore	5200-452-008	
	24 Volt – 7/8" Bore	5200-452-010	
	90 Volt – 7/8" Bore	5200-452-011	
	24 Volt – 15/16" Bore	5200-452-016	
	90 Volt – 15/16" Bore	5200-452-017	
	6 Volt – 1" Bore	5200-452-020	
	24 Volt – 1" Bore	5200-452-022	
	90 Volt – 1" Bore	5200-452-023	
	6 Volt – 1-1/8" Bore	5200-452-026	
	24 Volt – 1-1/8" Bore	5200-452-028	
	90 Volt – 1-1/8" Bore	5200-452-029	
	6 Volt – 1-1/4" Bore	5200-452-032	
24 Volt – 1-1/4" Bore	5200-452-034		
90 Volt – 1-1/4" Bore	5200-452-035		
5-1	Rotor		1
	5/8" Bore	5200-751-048	
	3/4" Bore	5200-751-002	

Item	Description	Part Number	Qty.
	15/16" Bore	5200-751-004	
	1" Bore	5200-751-005	
	7/8" Bore	5200-751-003	
	1-1/8" Bore	5200-751-006	
	1-1/4" Bore	5200-751-007	
5-2	Field & Bearing Assembly		1
	6 Volt	5200-451-024	
	24 Volt	5200-451-026	
	90 Volt	5200-451-027	
5-2-1	Terminal Accessory	5311-101-001	1
5-2-2	Ball Bearing	166-0110	1
5-3	Retainer Ring	748-0002	1
5-4	Setscrew	797-0069	2
6	Conduit Box	5200-101-010	1

### How to Order:

1. Specify Bore Size for Item 2 and Item 5.
2. Specify Voltage for Item 5.
3. See Controls Section.

### Example:

SFC-500 Clutch Coupling per I-25540 - 90 Volt, 3/4" Bores

These units, when used in conjunction with the correct Warner Electric conduit box, meet the standards set of UL508 and are listed under guide card #NMTR2, file #59164.

These units are CSA certified under file #LR11543

\*See page 252 for specific part numbers.

Refer to Service Manual P-0202-WE