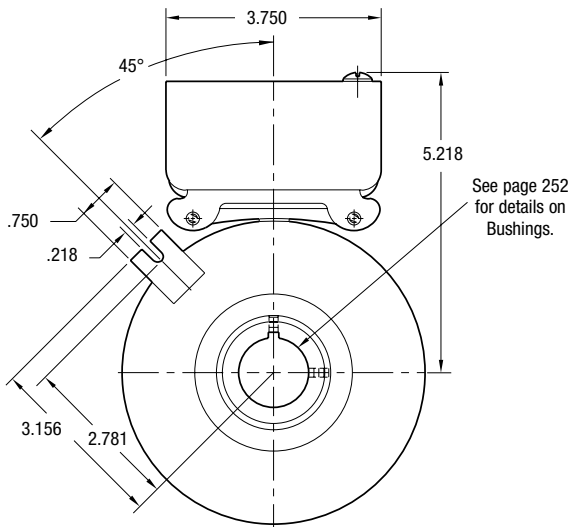
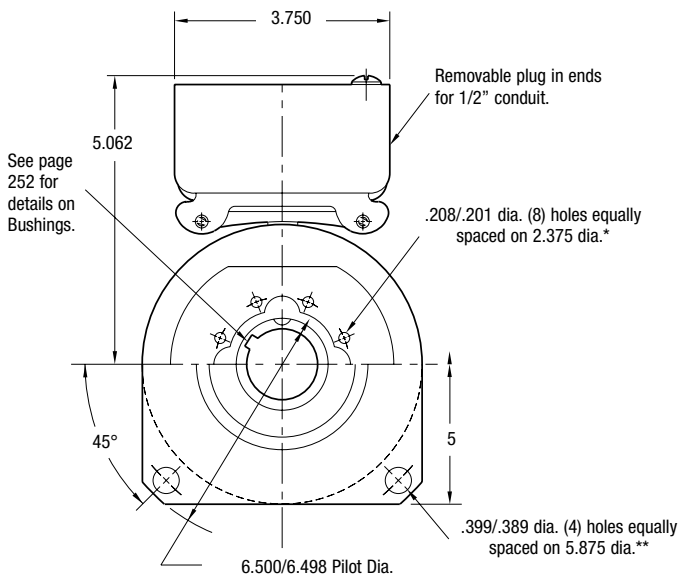


SFPBC Series Clutch/Brake Coupling

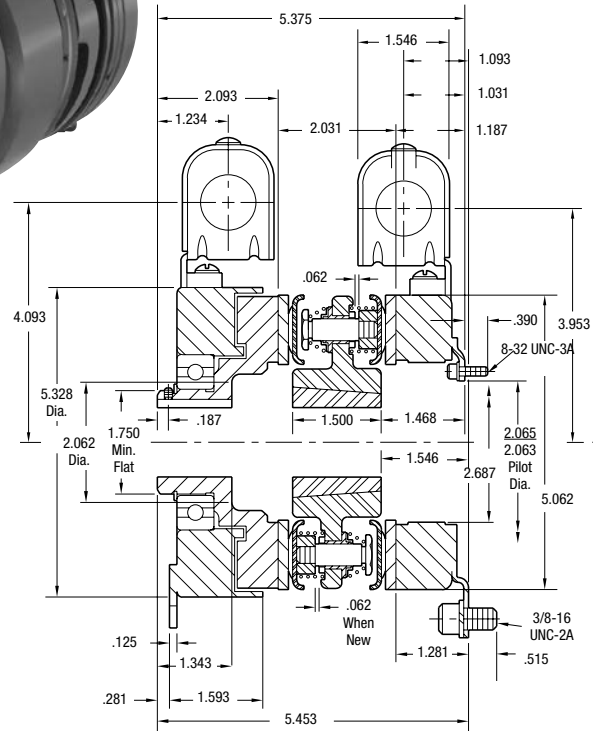
SFPBC-500 Normal Duty



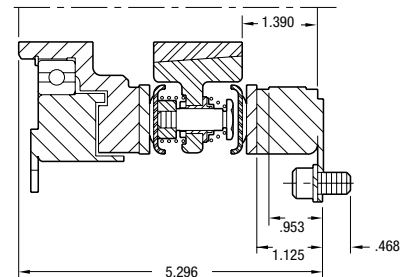
FIELD VIEW



MAGNET VIEW



Outside Mounted Offset Backing Plate



Outside Mounted Flush Backing Plate

- * Mounting holes are within .010 of true position relative to pilot diameter.
- ** Mounting holes are within .008 of true position relative to pilot diameter.

Customer Shall Maintain:

1. Squareness of brake mounting face with armature hub shaft within .006 T.I.R.
2. Concentricity of brake mounting pilot diameter with armature hub shaft within .010 T.I.R.
3. Concentricity of clutch magnet hub assembly shaft with armature hub shaft within .006 T.I.R.



| | |
|----------------------|----------------|
| Shaft Size | .750 – 1.250 |
| Static Torque Clutch | 50 lb. ft. |
| Static Torque Brake | 40 lb. ft. |
| Maximum Speed | 4,000 rpm |
| Standard Voltage | D.C. 6, 24, 90 |

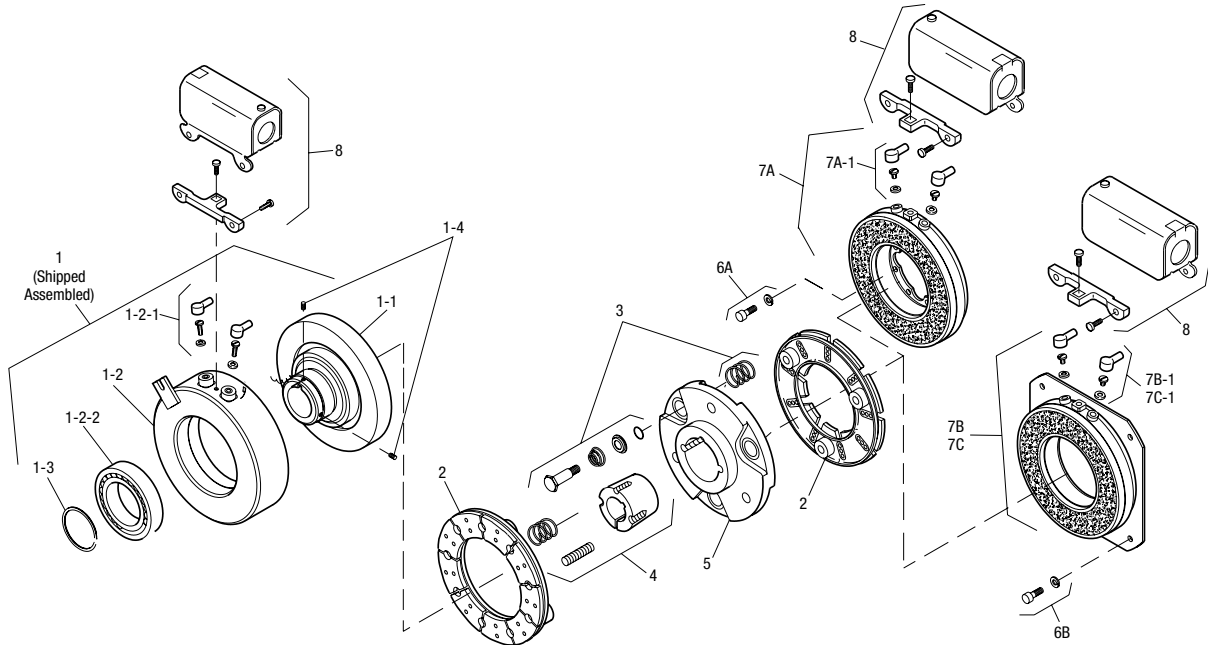
All dimensions are nominal unless otherwise noted.

Information on inertia and weights begins on page 239. Coil data is on pages 250 and 251.

SFPBC Series Clutch/Brake Coupling

Drawing I-25546

SFPBC-500 Normal Duty



| Item | Description | Part Number | Qty. |
|-------|--------------------------------|----------------------|------|
| 1 | Field and Rotor Assembly | | 1 |
| | 6 Volt – 3/4" Bore | 5200-452-002 | |
| | 24 Volt – 3/4" Bore | 5200-452-004 | |
| | 90 Volt – 3/4" Bore | 5200-452-005 | |
| | 6 Volt – 7/8" Bore | 5200-452-008 | |
| | 24 Volt – 7/8" Bore | 5200-452-010 | |
| | 90 Volt – 7/8" Bore | 5200-452-011 | |
| | 90 Volt – 15/16" Bore | 5200-452-017 | |
| | 6 Volt – 1" Bore | 5200-452-020 | |
| | 24 Volt – 1" Bore | 5200-452-022 | |
| | 90 Volt – 1" Bore | 5200-452-023 | |
| | 6 Volt – 1-1/8" Bore | 5200-452-026 | |
| | 24 Volt – 1-1/8" Bore | 5200-452-028 | |
| | 90 Volt – 1-1/8" Bore | 5200-452-029 | |
| | 6 Volt – 1-1/4" Bore | 5200-452-032 | |
| | 90 Volt – 1-1/4" Bore | 5200-452-035 | |
| 1-1 | Rotor | | 1 |
| | 3/4" Bore | 5200-751-002 | |
| | 7/8" Bore | 5200-751-003 | |
| | 15/16" Bore | 5200-751-004 | |
| | 1" Bore | 5200-751-005 | |
| | 1-1/8" Bore | 5200-751-006 | |
| | 1-1/4" Bore | 5200-751-007 | |
| 1-2 | Field | | 1 |
| | 6 Volt | 5200-451-024 | |
| | 24 Volt | 5200-451-026 | |
| | 90 Volt | 5200-451-027 | |
| 1-2-1 | Terminal Accessory | 5311-101-001 | 1 |
| 1-2-2 | Ball Bearing | 166-0110 | 1 |
| 1-3 | Retainer Ring | 748-0002 | 1 |
| 1-4 | Setscrew | 797-0069 | 2 |
| 2 | Armature | 5300-111-002 | 2 |
| 3 | Autogap Accessory | 5200-101-009 | 6 |
| 4 | Bushing* - 1/2" to 1-1/4" Bore | 180-0116 to 180-0128 | 1 |
| 5 | Armature Hub | 5300-541-004 | 1 |

| Item | Description | Part Number | Qty. |
|------|---------------------------|--------------|------|
| 6A | Mounting Accessory - I.M. | 5102-101-001 | 2 |
| 6B | Mounting Accessory - O.M. | 5300-101-008 | 1 |
| 7A | Magnet - I.M. | | 1 |
| | 6 Volt | 5300-631-002 | |
| | 24 Volt | 5300-631-003 | |
| | 90 Volt | 5300-631-005 | |
| 7A-1 | Terminal Accessory | 5311-101-001 | 1 |
| 7B | Magnet - O.M. - Offset | | 1 |
| | 90 Volt | 5300-631-014 | |
| 7B-1 | Terminal Accessory | 5311-101-001 | 1 |
| 7C | Magnet - O.M. - Flush | | 1 |
| | 6 Volt | 5300-631-009 | |
| | 24 Volt | 5300-631-010 | |
| | 90 Volt | 5300-631-011 | |
| 7C-1 | Terminal Accessory | 5311-101-001 | 1 |
| 8 | Conduit Box | 5200-101-010 | 2 |

How to Order:

1. Specify Bore Size for Item 1 and Item 4.
2. Specify Voltage for Item 1 and Item 7A, 7B or 7C.
3. Specify Inside Mounted for Item 7A and Outside Mounted (Offset) for Item 7B or Outside Mounted (Flush) for Item 7C.
4. See Controls Section.

Example:

SFPBC-500 Clutch Brake Coupling per I-25546 - 90 Volt, Inside Mounted, 1" Bore

These units, when used in conjunction with the correct Warner Electric conduit box, meet the standards of UL508 and are listed under guide card #NMTR, file #59164.

These units are CSA certified under file #LR11543.

*See page 252 for specific part numbers.

Refer to Service Manual P-0202-WE