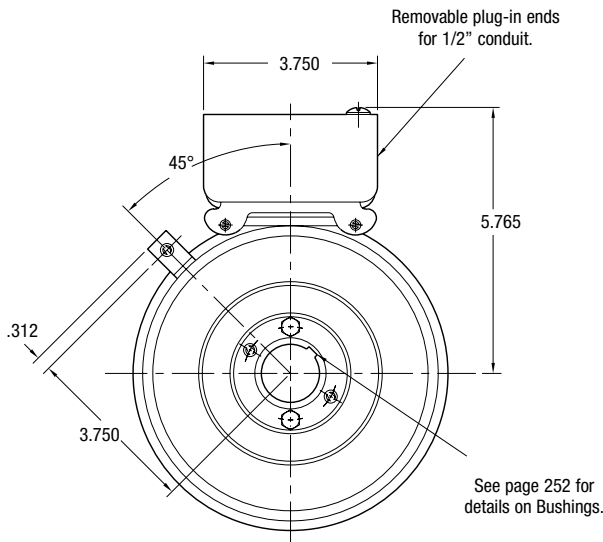
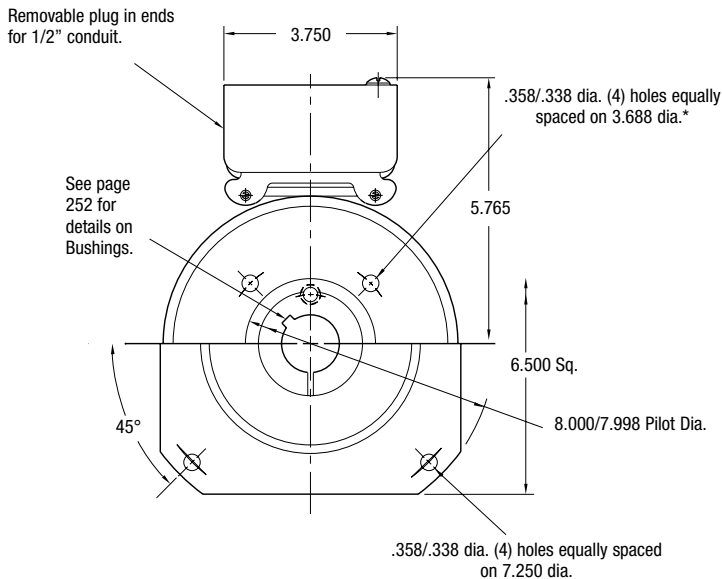


# SFPBC Series Clutch/Brake Coupling

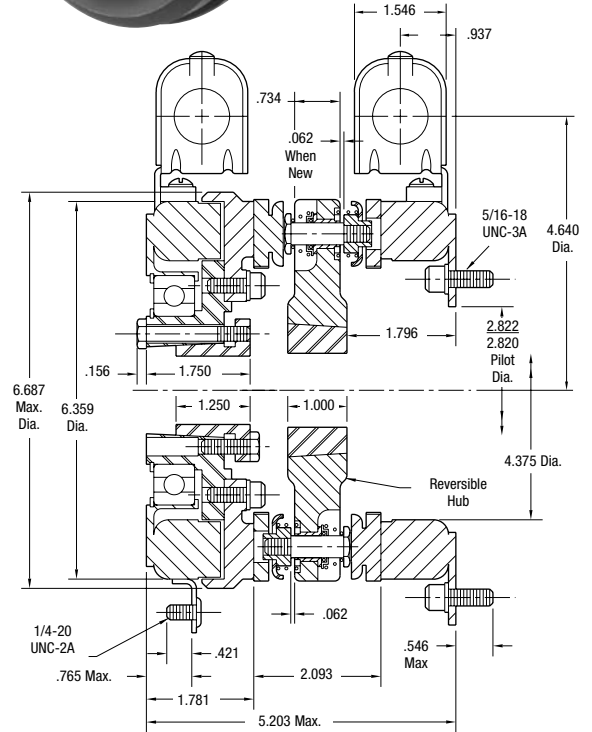
## SFPBC-650



**FIELD VIEW**



**MAGNET VIEW  
(Inside & Outside Mounted)**



\* Mounting holes are within .010 of true position relative to pilot diameter.

|                      |                |
|----------------------|----------------|
| Shaft Size           | .500 – 1.500   |
| Static Torque Clutch | 95 lb. ft.     |
| Static Torque Brake  | 95 lb. ft.     |
| Maximum Speed        | 3,600 rpm      |
| Standard Voltage     | D.C. 6, 24, 90 |

### Customer Shall Maintain:

1. Squareness of brake mounting face with armature hub shaft within .006 T.I.R.
2. Concentricity of brake mounting pilot diameter with armature hub shaft within .010 T.I.R.
3. Concentricity of clutch magnet hub assembly shaft with armature hub shaft within .006 T.I.R.

All dimensions are nominal unless otherwise noted.

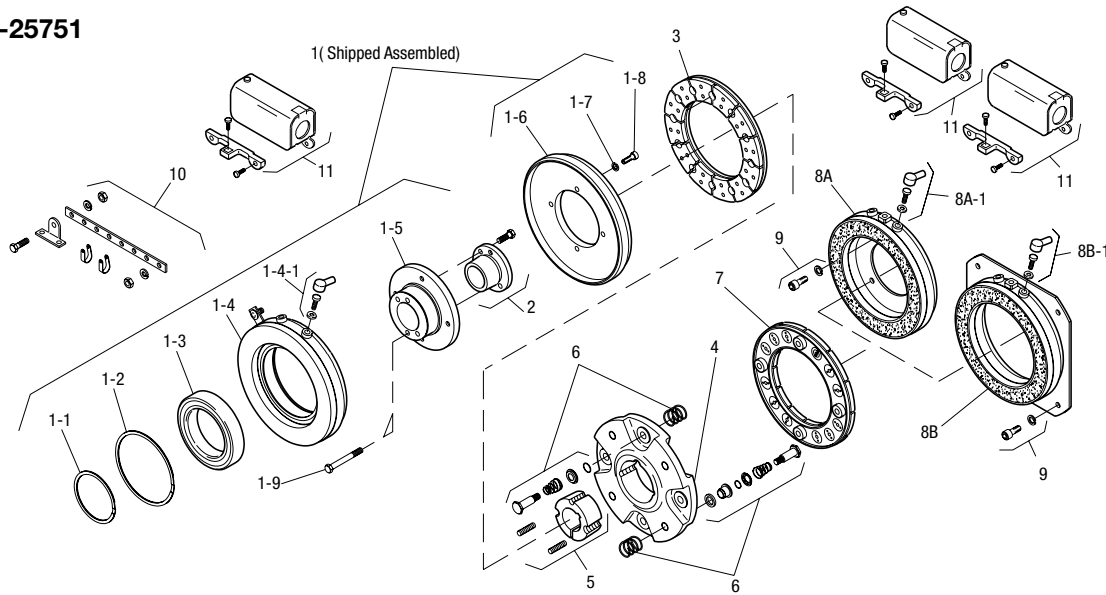
Information on inertia and weights begins on page 239. Coil data is on pages 250 and 251.



# SFPBC Series Clutch/Brake Coupling

## SFPBC-650

Drawing I-25751



| Item  | Description                | Part Number          | Qty. |
|-------|----------------------------|----------------------|------|
| 1     | Field & Rotor Assembly     |                      | 1    |
|       | 6 Volt                     | 5207-452-002         |      |
|       | 24 Volt                    | 5207-452-005         |      |
|       | 90 Volt                    | 5207-452-004         |      |
| 1-1   | Retainer Ring External     | 748-0004             | 1    |
| 1-2   | Retainer Ring Internal     | 748-0104             | 1    |
| 1-3   | Ball Bearing               | 166-0104             | 1    |
| 1-4   | Field Assembly             |                      | 1    |
|       | 6 Volt                     | 5281-451-002         |      |
|       | 24 Volt                    | 5281-451-004         |      |
|       | 90 Volt                    | 5281-451-005         |      |
| 1-4-1 | Terminal Accessory         | 5311-101-001         | 3    |
| 1-5   | Rotor Hub                  | 540-0614             | 1    |
| 1-6   | Rotor Assembly             | 5281-751-001         | 1    |
| 1-7   | Lockwasher                 | 950-0355             | 4    |
| 1-8   | Capscrew                   | 797-0083             | 4    |
| 1-9   | Reverse Mounting Accessory | 5201-101-005         | 1    |
| 2     | Bushing*                   |                      | 1    |
|       | 1/2" to 1-1/2" Bore        | 180-0002 to 180-0018 |      |
| 3     | Armature Clutch            | 5281-111-002         | 1    |
| 4     | Armature Hub               | 5207-541-002         | 1    |
| 5     | Bushing*                   |                      |      |
|       | 1/2" to 1-5/8" Bore        | 180-0326 to 180-0344 | 1    |
| 6     | Autogap Accessory          | 5181-101-010         | 8    |
| 7     | Armature - Brake           | 5281-111-002         | 1    |
| 8A    | Magnet - Inside Mounted    |                      | 1    |
|       | 6 Volt                     | 5369-631-003         |      |
|       | 24 Volt                    | 5369-631-006         |      |
|       | 90 Volt                    | 5369-631-005         |      |

| Item | Description              | Part Number  | Qty. |
|------|--------------------------|--------------|------|
| 8A-1 | Terminal Accessory       | 5311-101-001 | 2    |
| 8B   | Magnet - Outside Mounted |              | 1    |
|      | 6 Volt                   | 5369-631-009 |      |
|      | 24 Volt                  | 5369-631-012 |      |
|      | 90 Volt                  | 5369-631-011 |      |
| 8B-1 | Terminal Accessory       | 5311-101-001 | 2    |
| 9    | Mounting Accessory       | 5321-101-002 | 1    |
| †10  | Torque Arm Accessory     | 5207-101-003 | 1    |
| 11   | Conduit Box              | 5200-101-010 | 3    |

### How to Order:

1. Specify Voltage for Item 1 and Item 8.
2. Specify Bore Size for Item 2 and Item 5.
3. Specify Inside Mounted for Item 8A and Outside Mounted for Item 8B.
4. See Controls Section.

### Example:

SFPBC-650 per I-25751 - 90 Volt, 1" Bore

These units, when used in conjunction with the correct Warner Electric conduit box, meet the standards of UL508 and are listed under guide card #NMTR, file #59164. These units are CSA certified under file #LR11543

\*See page 252 for specific part numbers.

Refer to Service Manual P-0202-WE

†Optional – not included in price.