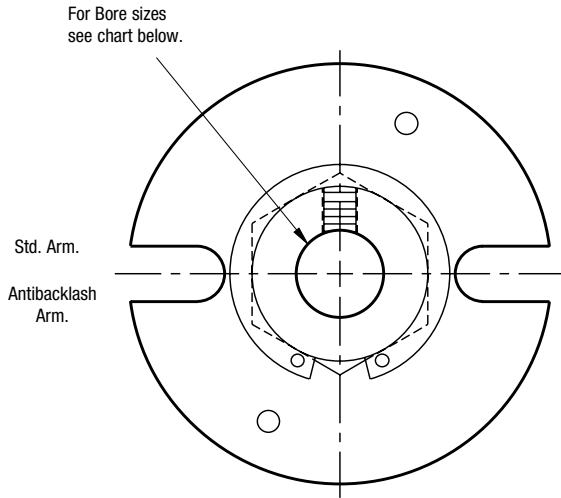
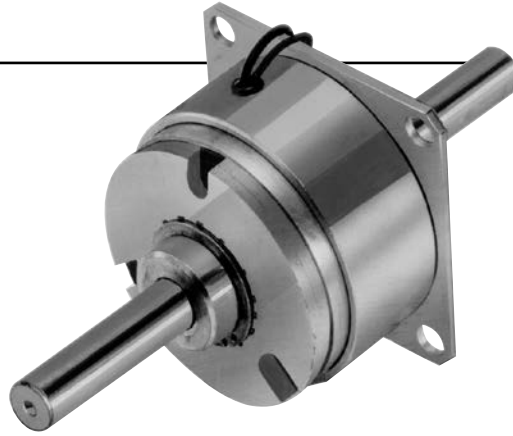
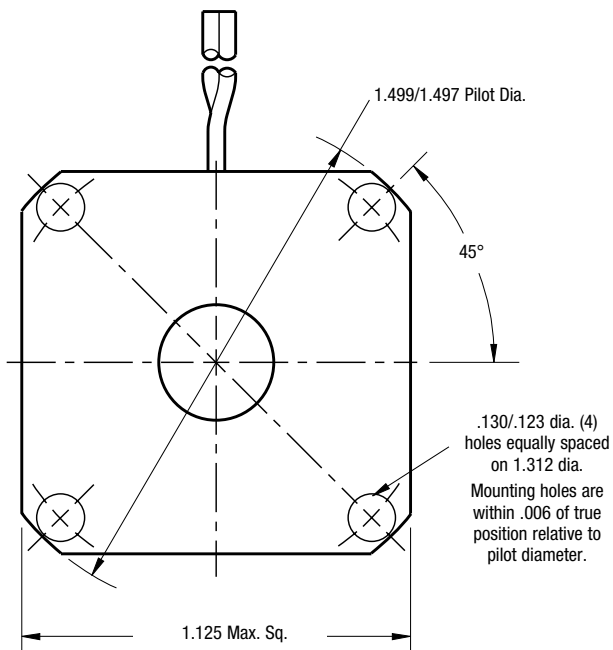


# PB Series Brake

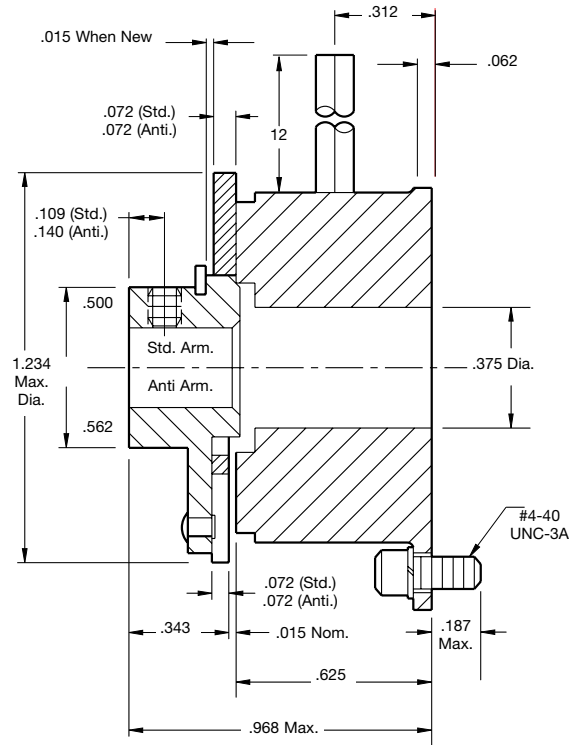
## PB-120



**ARMATURE VIEW**



**MAGNET VIEW**



### Bore Dimensions

| Armature Bore Dia. |
|--------------------|
| .188/.187          |
| .251/.250          |
| (.313/.312)*       |

\*(Antibacklash Armatures)

|                  |                |
|------------------|----------------|
| Static Torque    | 5 lb.in.       |
| Maximum Speed    | 10,000 rpm     |
| Standard Voltage | D.C. 6, 24, 90 |

All dimensions are nominal unless otherwise noted.

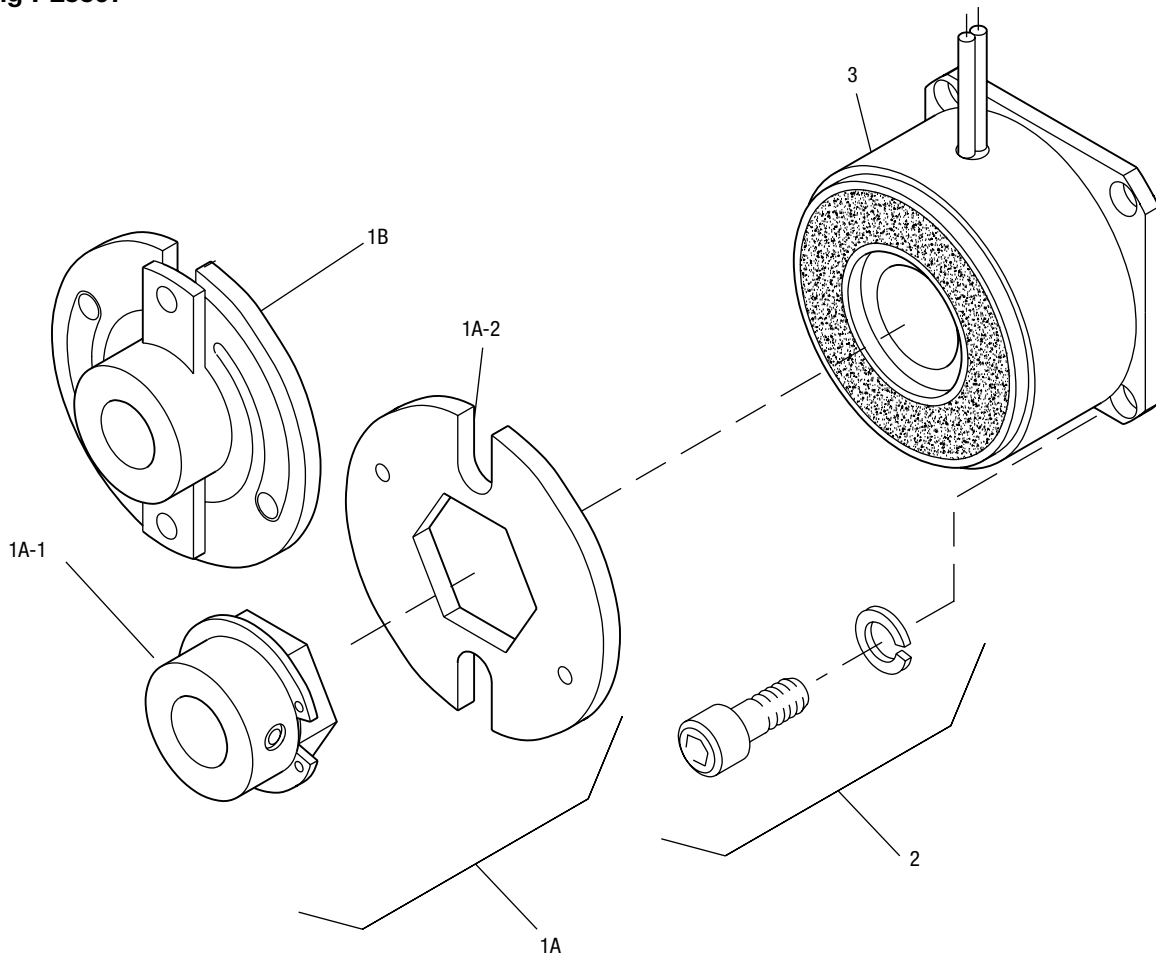
Information on inertia and weights begins on page 239. Coil data is on pages 250 and 251.

### Customer Shall Maintain:

1. Concentricity of brake mounting pilot diameter with armature shaft within .003 T.I.R.
2. Squareness of brake mounting face with armature shaft within .003 T.I.R.



Drawing I-25507



| Item | Description           | Part Number  | Qty. |
|------|-----------------------|--------------|------|
| 1A   | Armature and Hub      |              |      |
| 1A-1 | Armature Hub          |              | 1    |
|      | 3/16" Bore            | 5622-541-009 |      |
|      | 1/4" Bore             | 5622-541-008 |      |
| 1A-2 | Armature              | 110-0110     | 1    |
| 1B   | Antibacklash Armature |              | 1    |
|      | 3/16" Bore            | 5622-111-004 |      |
|      | 1/4" Bore             | 5622-111-002 |      |
|      | 5/16" Bore            | 5622-111-003 |      |
| 2    | Mounting Accessory    | 5101-101-001 | 1    |
| 3    | Magnet                |              | 1    |
|      | 6 Volt                | 5373-631-003 |      |
|      | 24 Volt               | 5373-631-005 |      |
|      | 90 Volt               | 5373-631-007 |      |

### How to Order:

1. Specify Type of Armature Desired.
2. Specify Bore Size for Item 1A-1 or 1B.
3. Specify Voltage for Item 3.
4. See Controls Section.

### Example:

PB-120 Brake per I-25507 - 90 Volt, Standard Armature 3/16" Hub Bore

These units meet the standards of UL508 and are listed under guide card #NMTR, file #59164.

These units are CSA certified under file #LR11543.

Refer to Service Manual P-0201-WE