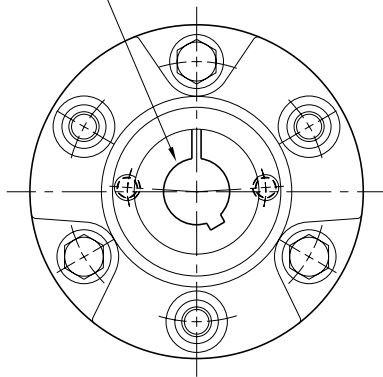


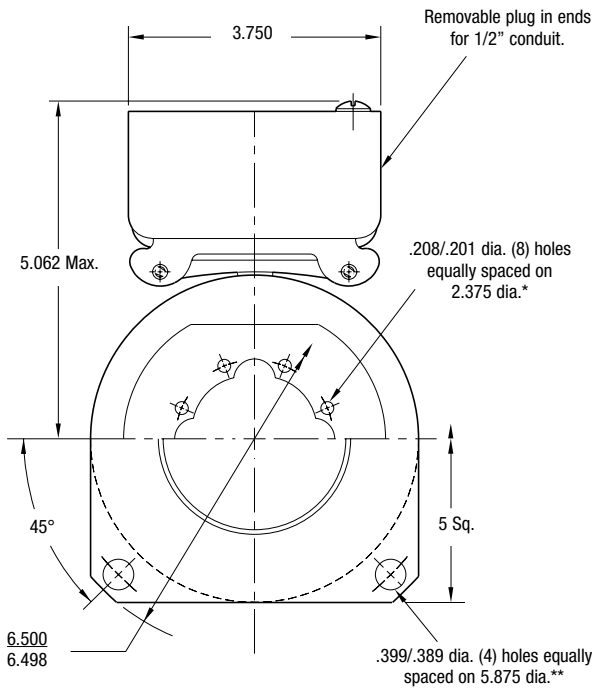
PB Series Brake

PB-500 Normal Duty

See page 252 for details on Bushings.



HUB VIEW



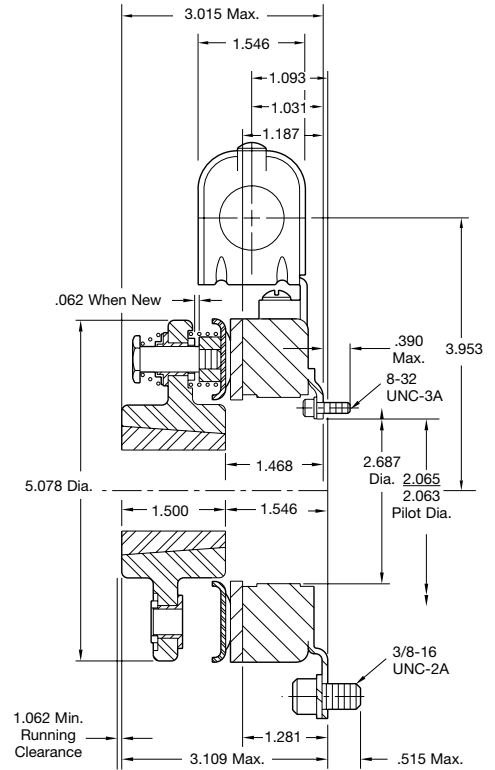
**MAGNET VIEW
(Inside & Outside Mounted)**

* Mounting holes are within .010 of true position relative to pilot diameter.

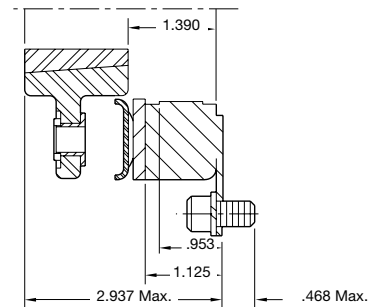
** Mounting holes are within .008 of true position relative to pilot diameter.

Customer Shall Maintain:

1. Squareness of brake mounting face with armature hub shaft within .006 T.I.R.
2. Concentricity of brake mounting pilot diameter with armature hub shaft within .010 T.I.R



Outside Mounted Offset Backing Plate



Outside Mounted Flush Backing Plate

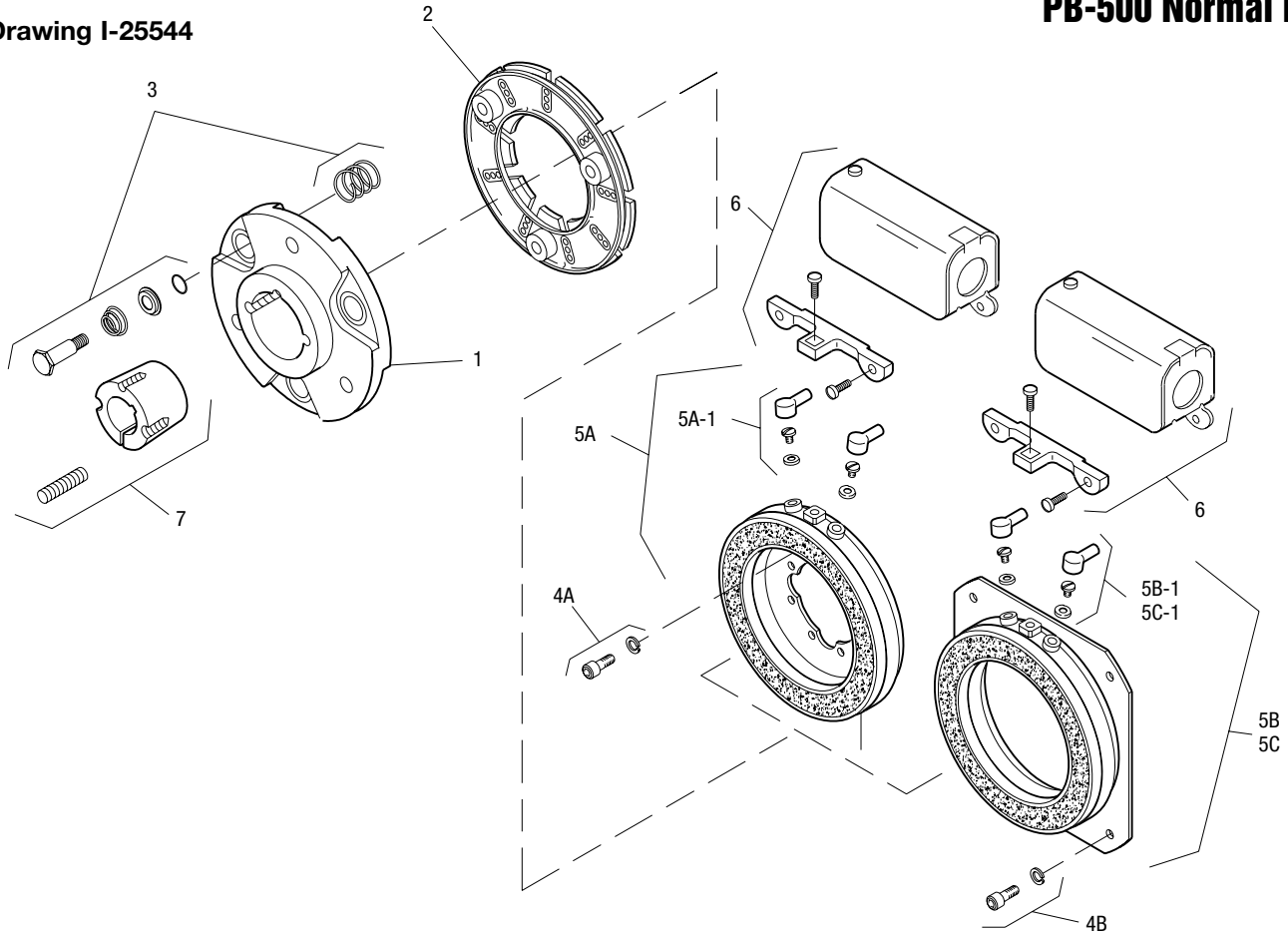
| | |
|------------------|----------------|
| Static Torque | 40 lb.ft. |
| Maximum Speed | 5,400 rpm |
| Standard Voltage | D.C. 6, 24, 90 |

All dimensions are nominal unless otherwise noted.

Information on inertia and weights begins on page 239. Coil data is on pages 250 and 251.

PB-500 Normal Duty

Drawing I-25544



| Item | Description | Part Number | Qty. |
|------|---------------------------|--------------------|--------------|
| 1 | Armature Hub | | 1 |
| | Standard Hub | 5300-541-004 | |
| | Optional Bronze Bushings | 5300-541-014 | |
| 2 | Armature | | 1 |
| | Segmented-Standard | 5300-111-002 | |
| | Solid | 110-0241 | |
| 3 | Autogap Accessory | 5200-101-009 | 3 |
| 4A | Mounting Accessory - I.M. | 5102-101-001 | 2 |
| 4B | Mounting Accessory - O.M. | 5300-101-008 | 1 |
| 5A | Magnet - I.M. | | 1 |
| | 6 Volt | 5300-631-002 | |
| | 24 Volt | 5300-631-003 | |
| | 90 Volt | 5300-631-005 | |
| | †90 Volt LK Facing | 5300-631-020 | |
| 5A-1 | Terminal Accessory | 5311-101-001 | 1 |
| 5B | Magnet - O.M. - Offset | | 1 |
| | 90 Volt | 5300-631-014 | |
| | 5B-1 | Terminal Accessory | 5311-101-001 |
| 5C | Magnet - O.M. - Flush | | 1 |
| | 6 Volt | 5300-631-009 | |
| | 24 Volt | 5300-631-010 | |
| | 90 Volt | 5300-631-011 | |
| | †90 Volt LK Facing | 5300-631-025 | |

| Item | Description | Part Number | Qty. |
|------|--------------------|---------------------|----------------------|
| 5C-1 | Terminal Accessory | 5311-101-001 | 1 |
| 6 | Conduit Box | 5200-101-010 | 1 |
| 7 | Bushing* | | 1 |
| | | 1/2" to 1-1/4" Bore | 180-0116 to 180-0128 |

How to Order:

1. Specify Bore Size for Item 7.
2. Specify Voltage for Item 5A, 5B, or 5C.
3. Specify Inside Mounted for Item 5A and Outside Mounted (Offset) for Item 5B or Outside Mounted (Flush) for Item 5C.
4. See Controls Section.

Example:

PB-500 Brake per I-25544 - 90 Volt, Inside Mounted, 3/4" Bore

These units, when used in conjunction with the correct Warner Electric conduit box, meet the standards of UL508 and are listed under guide card #NMTR, file #59164. These units are CSA certified under file #LR11543.

*See page 252 for specific part numbers.

Refer to Service Manual P-0204-WE

†Optional LK facing available. For more information, see page 232.