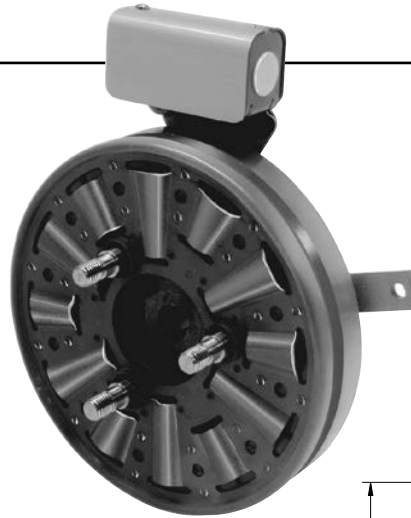
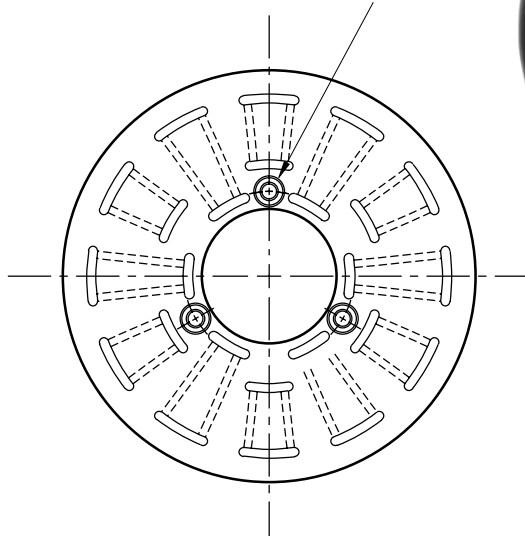


Series SF Clutch

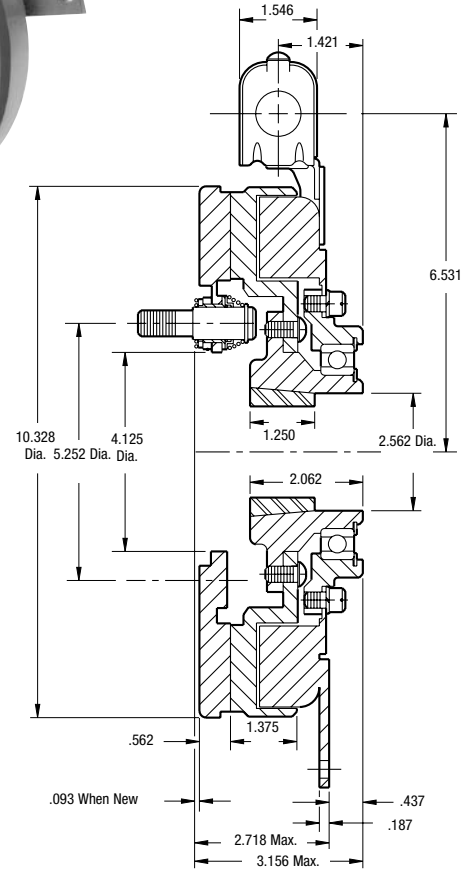
SF-1000 Bearing Mounted Normal Duty



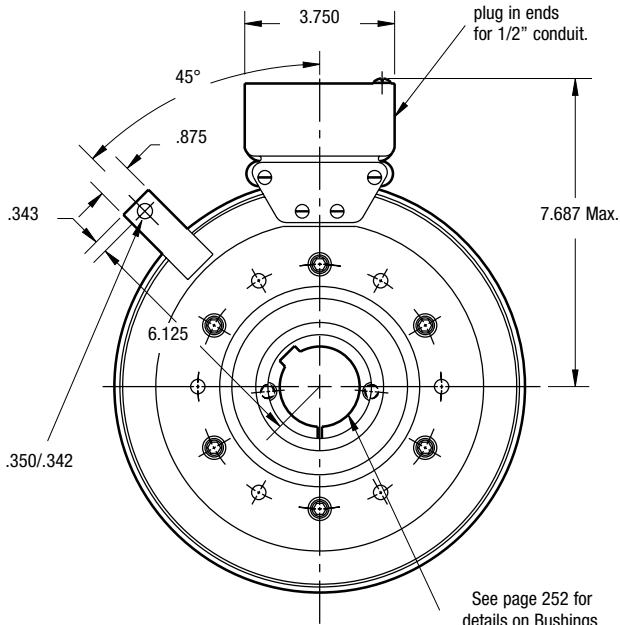
See page 252 for details on Bushings.



ARMATURE VIEW



Removable plug in ends for 1/2" conduit.



See page 252 for details on Bushings.

FIELD VIEW

| | |
|------------------|----------------|
| Shaft Size | .500 – 2.000 |
| Static Torque | 240 lb.ft. |
| Maximum Speed | 2,500 rpm |
| Standard Voltage | D.C. 6, 24, 90 |

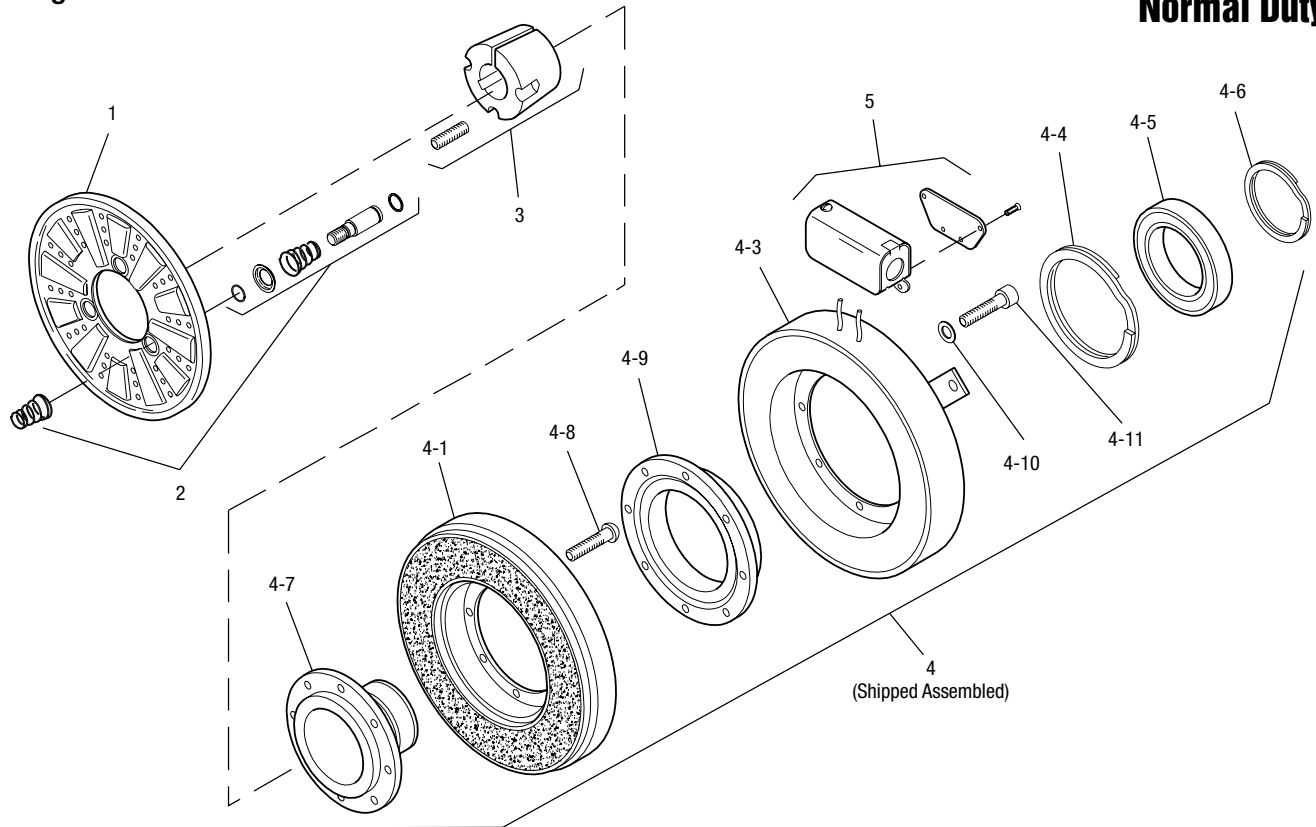
All dimensions are nominal unless otherwise noted.

Information on inertia and weights begins on page 239. Coil data is on pages 250 and 251.



SF-1000 Bearing Mounted Normal Duty

Drawing I-25596



| Item | Description | Part Number | Qty. |
|------|----------------------------|----------------------|------|
| 1 | Armature | 5302-111-013 | 1 |
| 2 | Autogap Accessory | 5201-101-008 | 3 |
| 3 | Bushing* | | 1 |
| | 1/2" to 2" Bore | 180-0155 to 180-0179 | |
| 4 | Field & Rotor Assembly | | 1 |
| | 6 Volt | 5202-452-012 | |
| | 24 Volt | 5202-452-014 | |
| | 90 Volt | 5202-452-015 | |
| 4-1 | Rotor | | 1 |
| | Standard Friction Material | 5202-751-003 | |
| | †Optional LK Facing | 5202-751-007 | |
| 4-3 | Field & Bearing Assembly | | 1 |
| | 6 Volt | 5202-451-040 | |
| | 24 Volt | 5202-451-042 | |
| | 90 Volt | 5202-451-043 | |
| 4-4 | Retainer Ring | 748-0116 | 1 |
| 4-5 | Ball Bearing | 166-1046 | 1 |
| 4-6 | Retainer Ring | 748-0582 | 1 |
| 4-7 | Rotor Hub | 540-1300 | 1 |

| Item | Description | Part Number | Qty. |
|------|----------------------|--------------|------|
| 4-8 | Buttonhead Capscrew | 797-1261 | 6 |
| 4-9 | Ring Adapter | 748-1047 | 1 |
| 4-10 | Lockwasher | 950-0359 | 6 |
| 4-11 | Socket Head Capscrew | 797-0424 | 6 |
| 5 | Conduit Box | 5200-101-012 | 1 |

How to Order:

1. Specify Bore Size for Item 3.
2. Specify Voltage for Item 4.
3. See Controls Section.

Example:

SF-1000 Clutch per I-25596 - 90 Volt, 1" Bore

These units, when used in conjunction with the correct Warner Electric conduit box, meet the standards of UL508 and are listed under guide card #NMTR, file #59164. These units are CSA certified under file #LR11543.

*See page 252 for specific part numbers.

Refer to Service Manual P-0215-WE

†Optional LK facing available. For more information, see page 232.