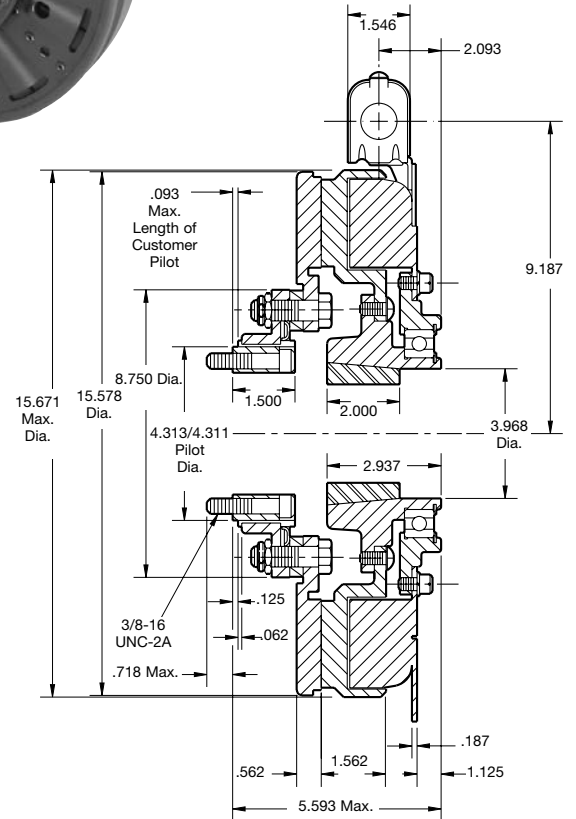
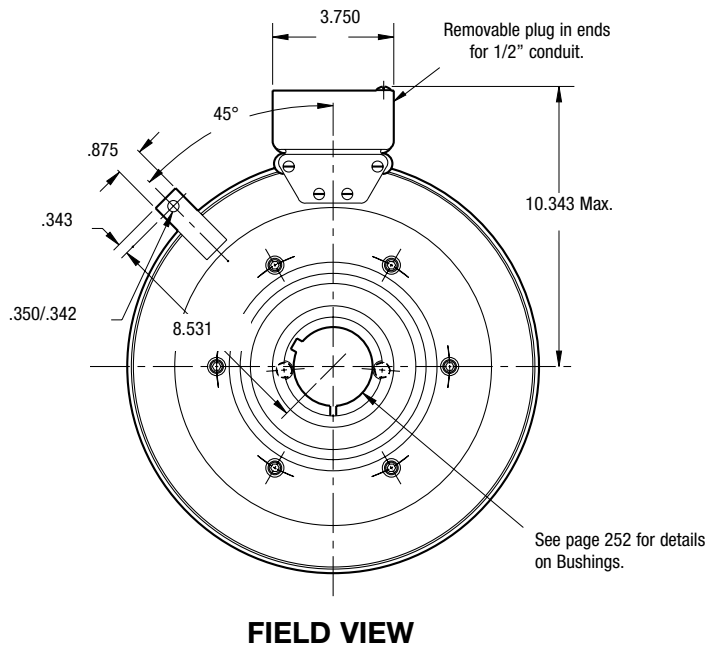
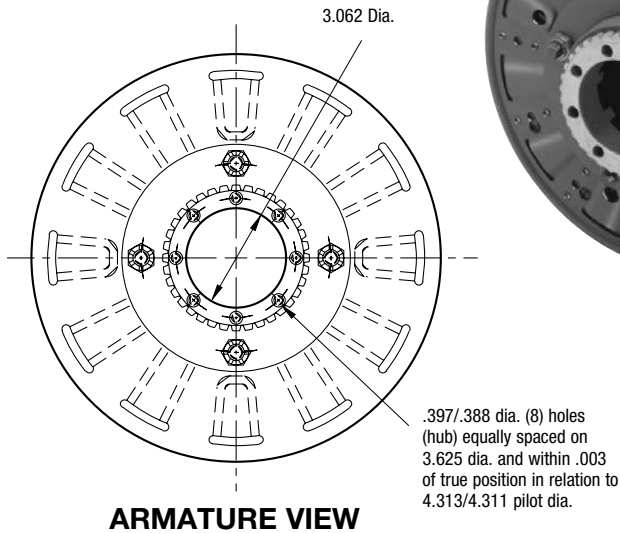
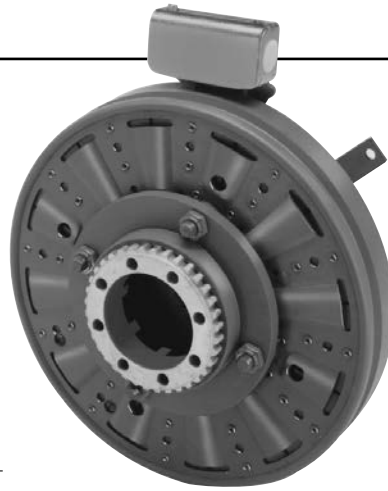


# SF Series Clutch

## SF-1525 Bearing Mounted Heavy Duty



Shaft Size	.937 – 3.000
Static Torque	700 lb.ft.
Maximum Speed	1,800 rpm
Standard Voltage	D.C. 6, 24, 90

All dimensions are nominal unless otherwise noted.

Information on inertia and weights begins on page 239. Coil data is on pages 250 and 251.

### Customer Shall Maintain:

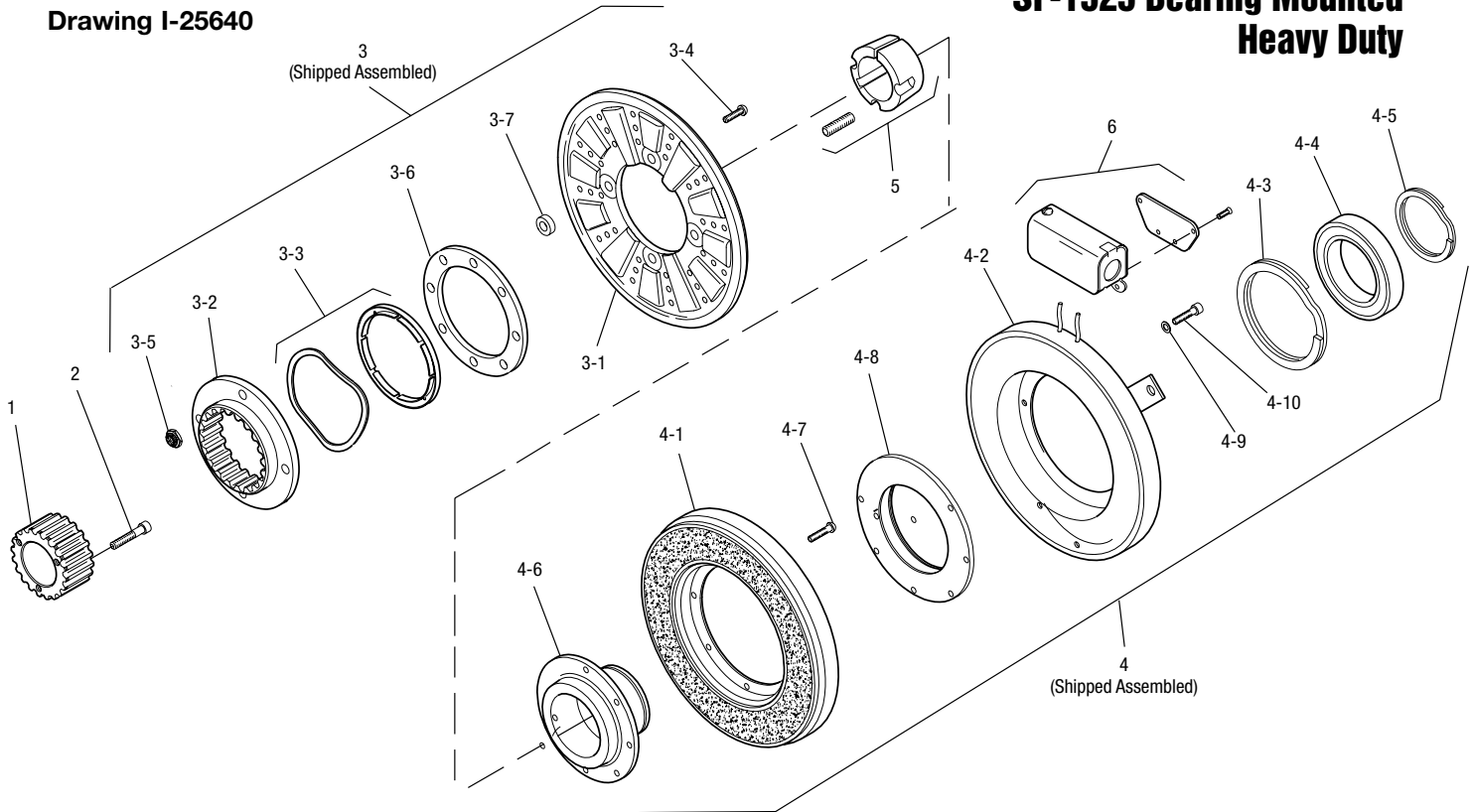
1. Armature hub pilot diameter to be concentric with field and rotor mounting shaft within .010 T.I.R.



# SF Series Clutch

## SF-1525 Bearing Mounted Heavy Duty

Drawing I-25640



Item	Description	Part Number	Qty.
1	Splined Hub	540-0148	1
2	Accessory Mounting	5202-101-001	3
3	Armature & Adapter Assembly	5204-111-004	1
3-1	Armature	5324-111-034	1
3-2	Splined Adapter	104-0011	1
3-3	Autogap Accessory	5323-101-002	1
3-4	Screw	797-0342	8
3-5	Locknut	661-0004	8
3-6	Retainer Plate	686-0003	1
3-7	Spacer	748-0333	8
4	Field & Rotor Assembly		1
	6 Volt	5204-452-009	
	24 Volt	5204-452-011	
	90 Volt	5204-452-012	
4-1	Rotor		1
	Standard Friction Material	5204-751-002	
	†Optional LK Facing	5204-751-004	
4-2	Field		1
	6 Volt	5204-451-084	
	24 Volt	5204-451-086	
	90 Volt	5204-451-087	
4-3	Retainer Ring	748-0114	1

Item	Description	Part Number	Qty.
4-4	Ball Bearing	166-0163	1
4-5	Retainer Ring	748-0583	1
4-6	Rotor Hub	540-1306	1
4-7	Buttonhead Screw	797-1261	8
4-8	Ring Adapter	748-1048	1
4-9	Lockwasher	950-0359	6
4-10	Sockethead Screw	797-0424	6
5	Bushing*	180-0223 to 180-0256	1
6	Conduit Box	5200-101-012	1

### How to Order:

1. Specify Bore Size for Item 5.
2. Specify Voltage for Item 4.
3. See Controls Section.

### Example:

SF-1525 Clutch per I-25640 - 90 Volt, 1" Bore

These units, when used in conjunction with the correct Warner Electric conduit box, meet the standards of UL508 and are listed under guide card #NMTR, file #59164. These units are CSA certified under file #LR11543.

\*See page 252 for specific part numbers.

Refer to Service Manual P-0215-WE

†Optional LK facing available. For more information, see page 232.