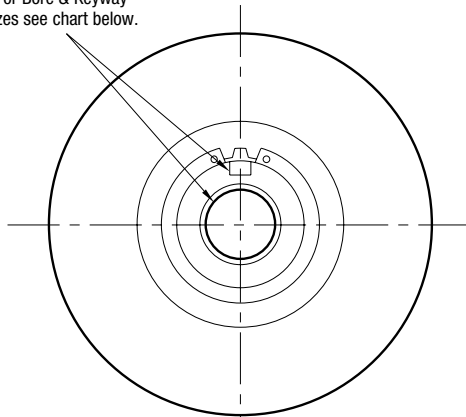


# SF Series Clutch

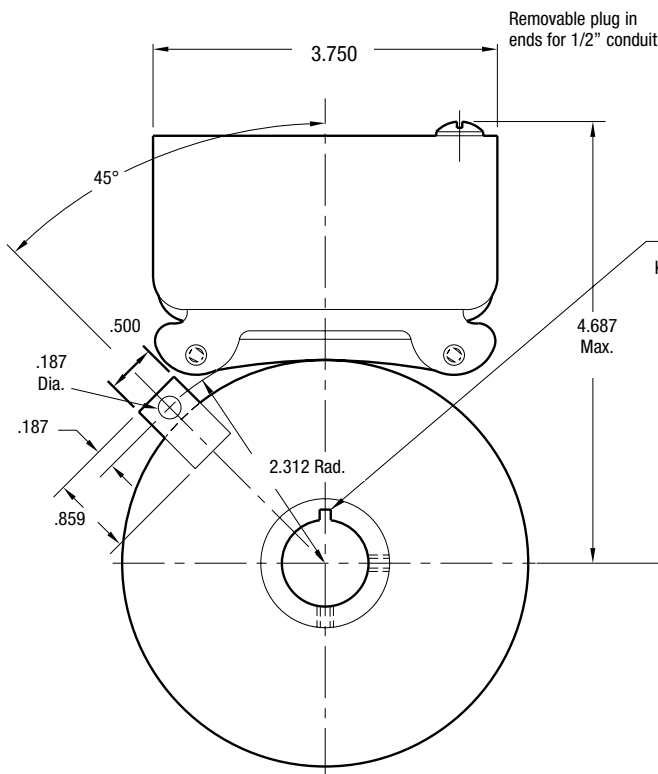
## SF-400 Bearing Mounted



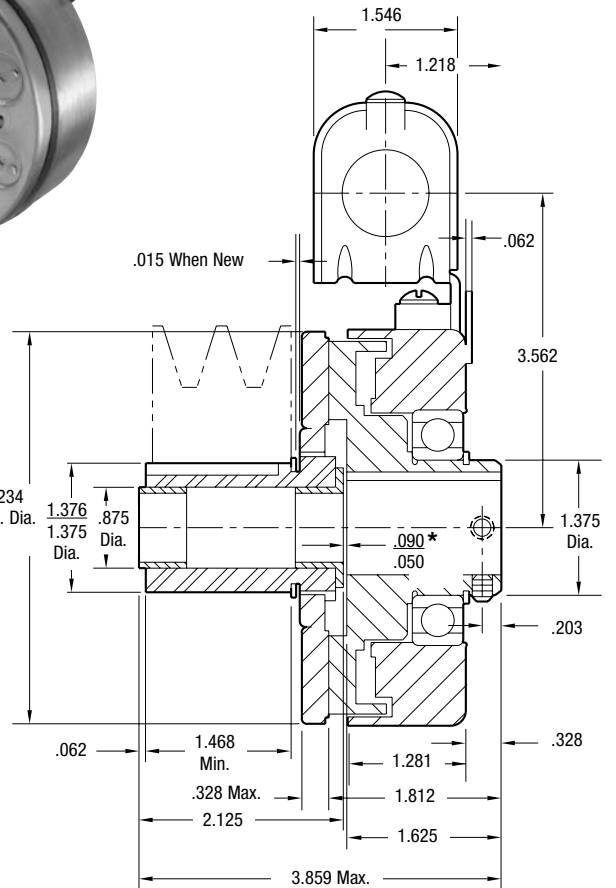
For Bore & Keyway sizes see chart below.



**ARMATURE VIEW**



**FIELD VIEW**



\*Customer shall maintain dimension as noted.

### Bore and Keyway Dimensions

Armature Bore Dia.	Keyway	Rotor Bore Dia.	Keyway
.5000/.4995	.312 x .156 x 1.25	.501/.500	.125 x .062
.6250/.6245		.626/.625	.187 x .093
.7500/.7495		.751/.750	
		.876/.875	
		1.001/1.000	

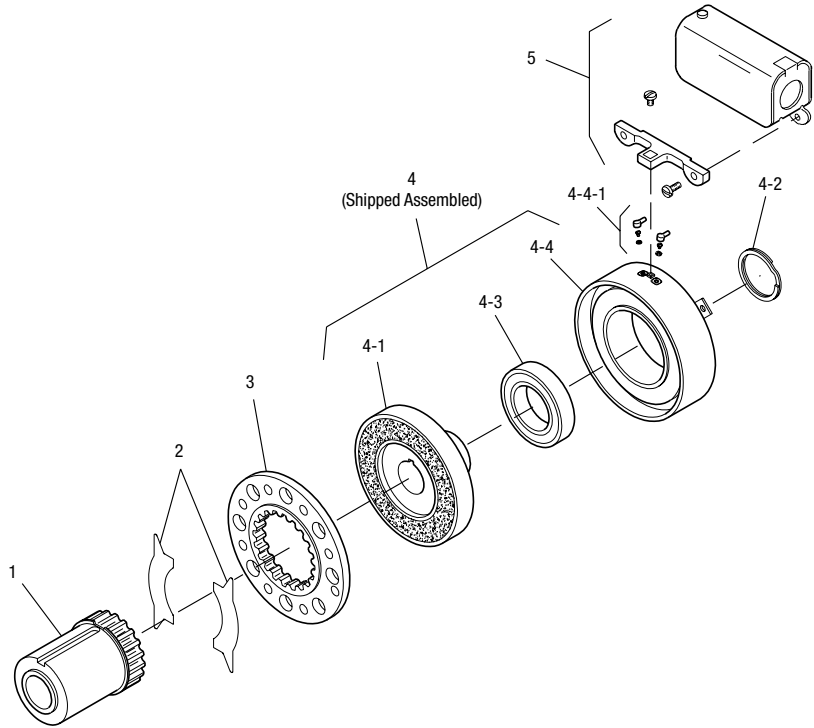
Static Torque	270 lb.in.
Maximum Speed	4,500 rpm
Standard Voltage	D.C. 6, 24, 90

All dimensions are nominal unless otherwise noted.

Information on inertia and weights begins on page 239. Coil data is on pages 250 and 251.



Drawing I-25696



Item	Description	Part Number	Qty.
1	Armature Hub		1
	1/2" Bore	5125-541-002	
	5/8" Bore	5125-541-003	
	3/4" Bore	5125-541-004	
2	Release Spring Optional	5104-101-003	1
3	Armature	5125-111-001	1
4	Field and Rotor Assembly		1
	6 Volt – 1/2" Bore	5104-452-052	
	24 Volt – 1/2" Bore	5104-452-053	
	90 Volt – 1/2" Bore	5104-452-054	
	6 Volt – 5/8" Bore	5104-452-055	
	24 Volt – 5/8" Bore	5104-452-056	
	90 Volt – 5/8" Bore	5104-452-057	
	6 Volt – 3/4" Bore	5104-452-058	
	24 Volt – 3/4" Bore	5104-452-059	
	90 Volt – 3/4" Bore	5104-452-060	
	6 Volt – 7/8" Bore	5104-452-061	
	24 Volt – 7/8" Bore	5104-452-062	
90 Volt – 7/8" Bore	5104-452-063		
6 Volt – 1" Bore	5104-452-064		
24 Volt – 1" Bore	5104-452-065		
90 Volt – 1" Bore	5104-452-066		
4-1	Rotor		1
	1/2" Bore	5104-751-043	

Item	Description	Part Number	Qty.
	5/8" Bore	5104-751-044	
	3/4" Bore	5104-751-045	
	7/8" Bore	5104-741-046	
	1" Bore	5104-741-047	
4-2	Retainer Ring	748-0018	1
4-3	Ball Bearing	166-0150	1
4-4	Field		1
	6 Volt	5104-451-038	
	24 Volt	5104-451-039	
	90 Volt	5104-451-040	
4-4-1	Terminal Accessory	5103-101-002	1
5	Conduit Box	5200-101-010	1

**How to Order:**

1. Specify Bore Size for Items 1 and 4.
2. Specify Voltage for Item 4.
3. See Controls Section.

**Example:**

SF-400 Clutch per I-25696 - 90 Volt  
 3/4" Armature Hub Bore  
 3/4" Rotor Bore

These units, when used in conjunction with the correct Warner Electric conduit box, meet standards set forth in UL508 and are listed under guide card #NMTR2, file #59164.

These units are CSA certified under file #LR11543

Service Manual P-0200-WE