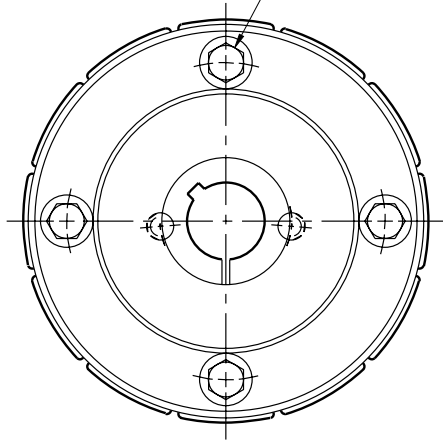


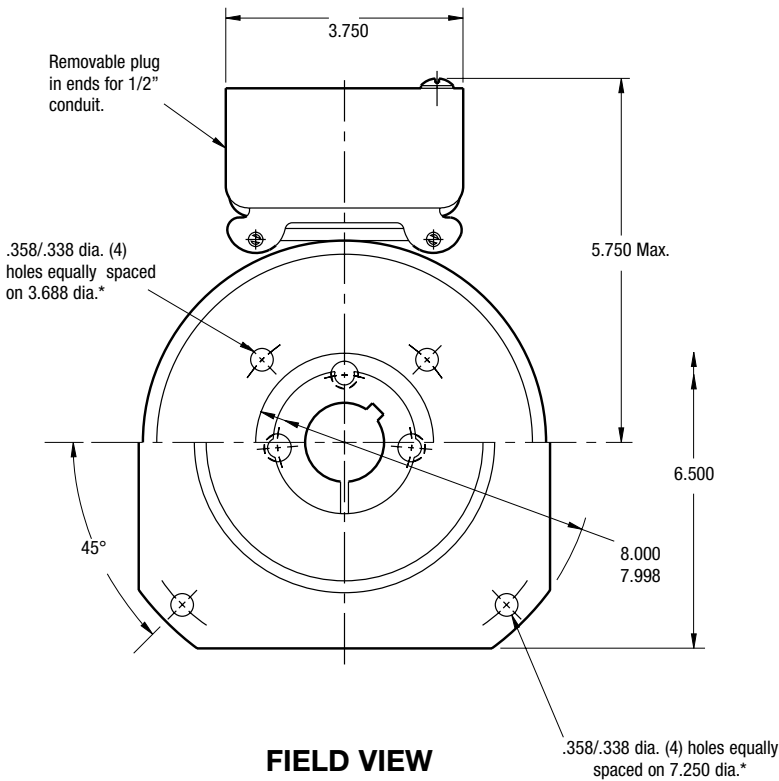
SF Series Clutch

SF-650 Flange Mounted

See page 230 for details on Drive Pin mountings.



ARMATURE VIEW



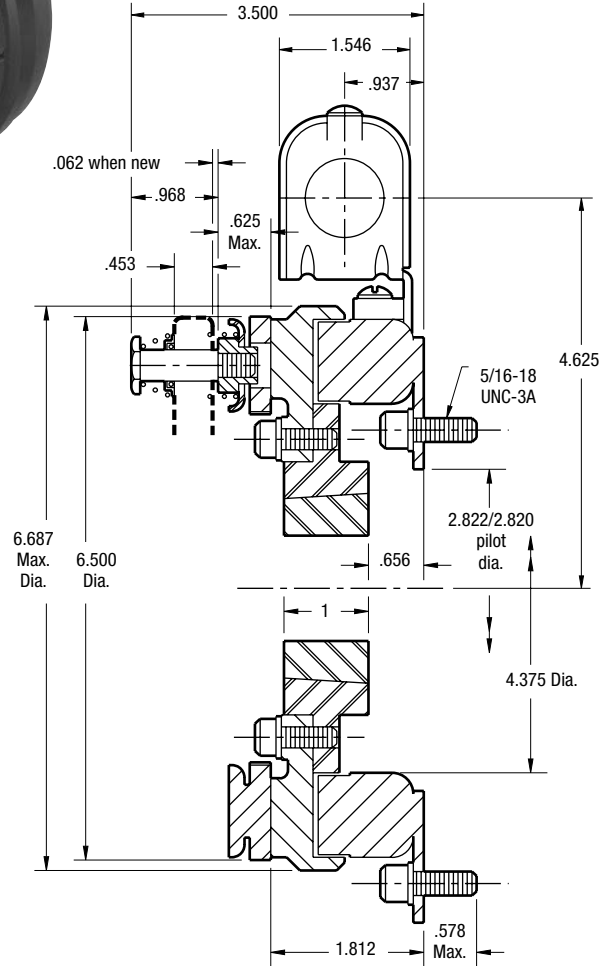
FIELD VIEW

(Inside & Outside Mounted)

Customer Shall Maintain:

1. Concentricity of field mounting pilot diameter with rotor mounting shaft within .006 T.I.R.
2. Squareness of field mounting face with shaft within .006 T.I.R. measured at field mounting bolt circle.
3. Rotor mounting pilot diameter must be concentric with shaft within .006 T.I.R.

*Mounting holes are within .010 of true position relative to pilot diameter.



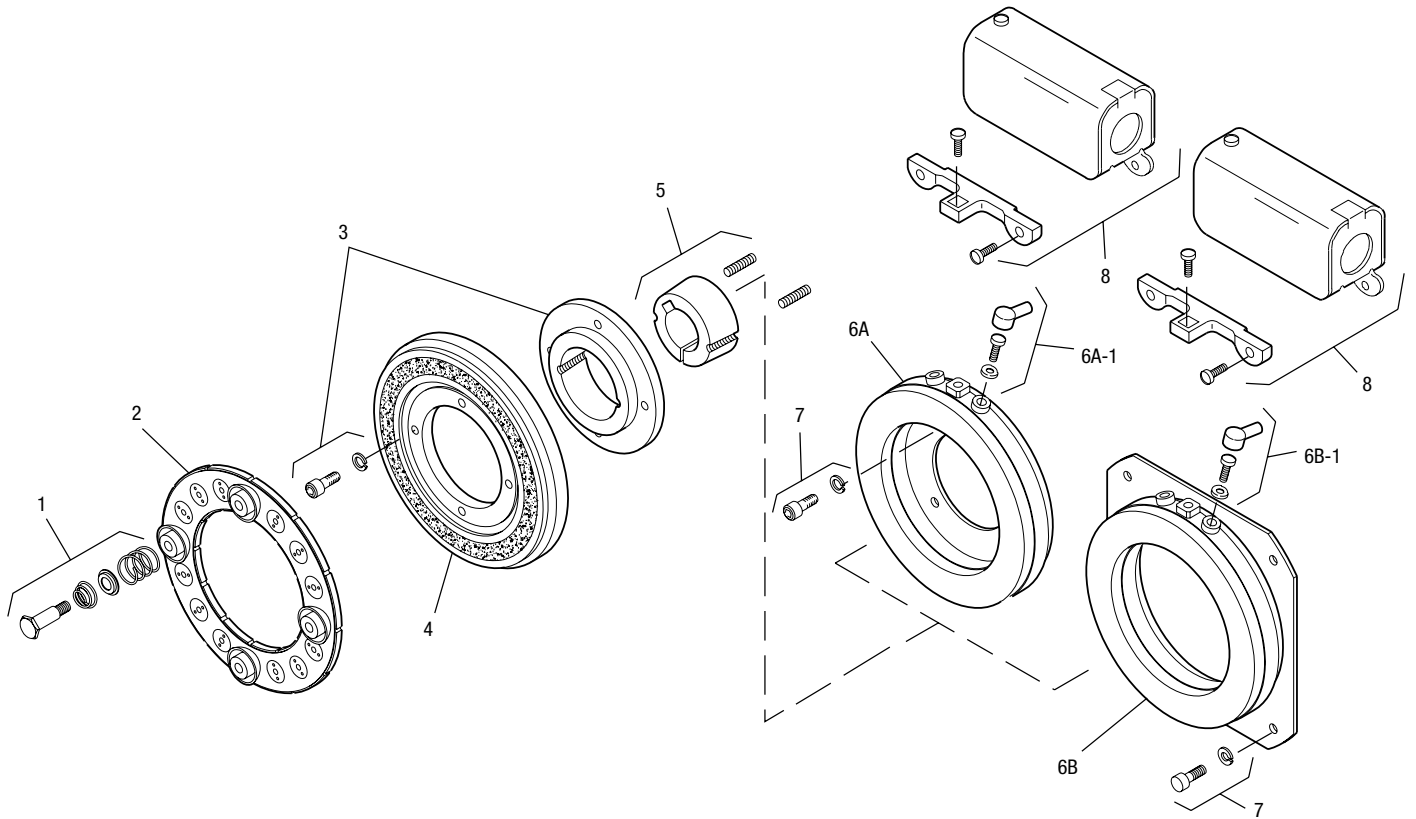
| | |
|------------------|----------------|
| Shaft Size | .500 – 1.625 |
| Static Torque | 95 lb.ft. |
| Maximum Speed | 3,600 rpm |
| Standard Voltage | D.C. 6, 24, 90 |

All dimensions are nominal unless otherwise noted.

Information on inertia and weights begins on page 239. Coil data is on pages 250 and 251.



Drawing I-25749



| Item | Description | Part Number | Qty. |
|------|---------------------------|----------------------|------|
| 1 | Armature Accessory | 5181-101-010 | 4 |
| 2 | Armature | 5281-111-002 | 1 |
| 3 | Rotor Hub & Mounting Acc. | 5207-101-005 | 1 |
| 4 | Rotor | 5281-751-001 | 1 |
| 5 | Bushing* | | 1 |
| | 1/2" to 1-5/8" Bore | 180-0326 to 180-0344 | |
| 6A | Field - Inside Mounted | | 1 |
| | 6 Volt | 5207-451-009 | |
| | 24 Volt | 5207-451-012 | |
| | 90 Volt | 5207-451-011 | |
| 6A-1 | Terminal Accessory | 5311-101-001 | 1 |
| 6B | Field - Outside Mounted | | 1 |
| | 6 Volt | 5207-451-003 | |
| | 24 Volt | 5207-451-006 | |
| | 90 Volt | 5207-451-005 | |
| 6B-1 | Terminal Accessory | 5311-101-001 | 1 |
| 7 | Mounting Accessory | 5321-101-002 | 1 |
| 8 | Conduit Box | 5200-101-010 | 1 |

How to Order:

1. Specify Bore Size for Item 5.
2. Specify Voltage for Item 6.
3. Specify Inside or Outside Mounted for Item 6.
4. See Controls Section.

Example:

SF-650 Clutch per I-25749 - 90 Volt, 1" Bore

These units, when used in conjunction with the correct Warner Electric conduit box, meet the standards of UL508 and are listed under guide card #NMTR, file #59164.

These units are CSA certified under file #LR11543

*See page 252 for specific part numbers.

Refer to Service Manual P-0202-WE