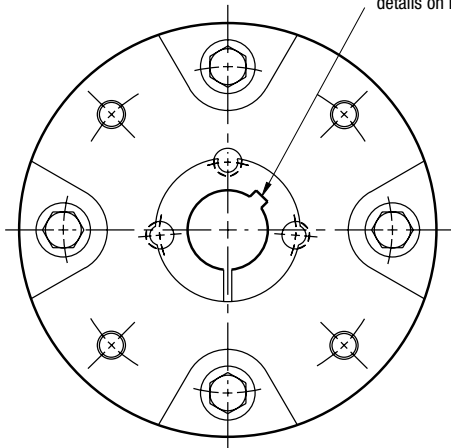


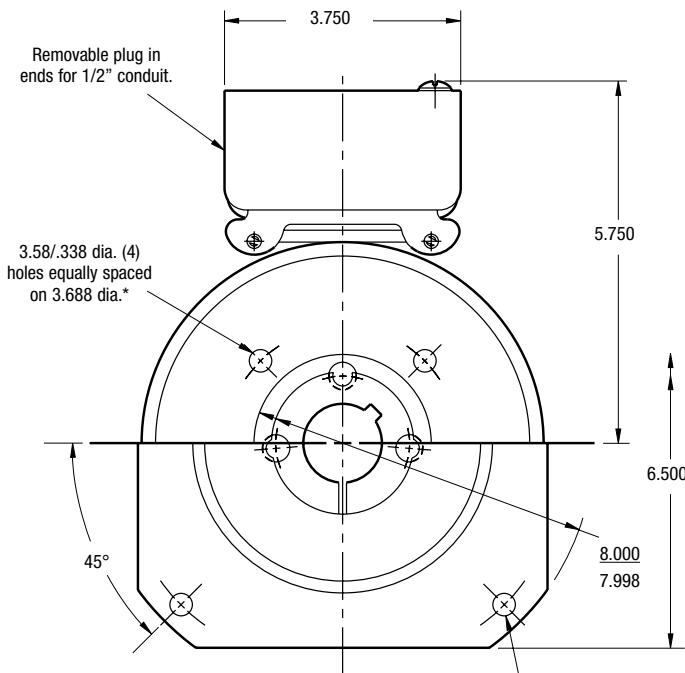
# SFC Series Clutch Coupling

## SFC-650 Flange Mounted

See page 252 for details on Bushings.



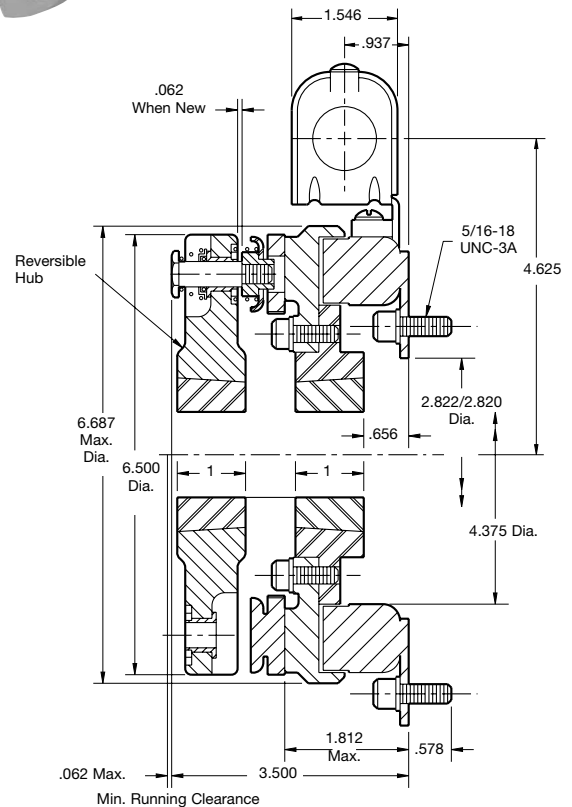
**HUB VIEW**



**FIELD VIEW**

(Inside & Outside Mounted)

3.58/.338 dia. (4) holes equally spaced on 7.250 dia.\*



\* Mounting holes are within .010 of true position relative to pilot diameter.

### Customer Shall Maintain:

1. Concentricity of field mounting pilot diameter with rotor mounting shaft within .006 T.I.R.
2. Squareness of field mounting face with shaft within .006 T.I.R. measured at field mounting bolt circle.
3. Rotor mounting pilot diameter must be concentric with shaft within .006 T.I.R.
4. Armature mounting shaft to be concentric with rotor mounting shaft within .006 T.I.R.



|                  |                |
|------------------|----------------|
| Armature Shaft   | .500 – 1.625   |
| Rotor Shaft      | .500 – 1.625   |
| Static Torque    | 95 lb.ft.      |
| Maximum Speed    | 3,600 rpm      |
| Standard Voltage | D.C. 6, 24, 90 |

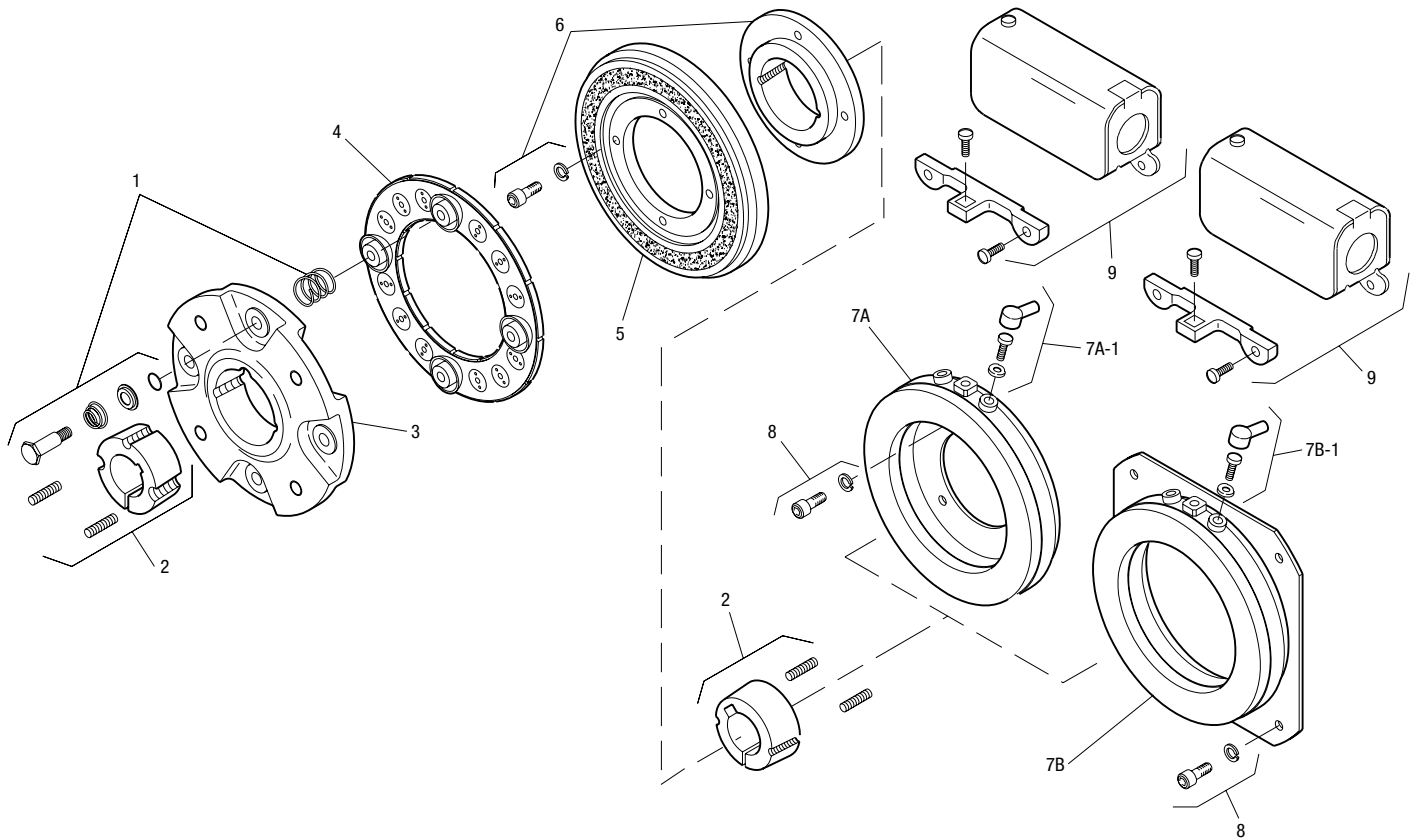
All dimensions are nominal unless otherwise noted.

Information on inertia and weights begins on page 239. Coil data is on pages 250 and 251.

# SFC Series Clutch Coupling

## SFC-650 Flange Mounted

Drawing I-25728



| Item | Description             | Part Number          | Qty. |
|------|-------------------------|----------------------|------|
| 1    | Autogap Accessory       | 5181-101-010         | 4    |
| 2    | Bushing*                |                      | 2    |
|      | 1/2" to 1-5/8" Bore     | 180-0326 to 180-0344 | 1    |
| 3    | Armature Hub            | 5207-541-002         | 1    |
| 4    | Armature                | 5281-111-002         | 1    |
| 5    | Rotor                   | 5281-751-001         | 1    |
| 6    | Rotor Hub &             |                      |      |
|      | Mounting Accessory      | 5207-101-005         | 1    |
| 7A   | Field - Inside Mounted  |                      | 1    |
|      | 6 Volt                  | 5207-451-009         |      |
|      | 24 Volt                 | 5207-451-012         |      |
|      | 90 Volt                 | 5207-451-011         |      |
| 7A-1 | Terminal Accessory      | 5311-101-001         | 1    |
| 7B   | Field - Outside Mounted |                      | 1    |
|      | 6 Volt                  | 5207-451-003         |      |
|      | 24 Volt                 | 5207-451-006         |      |
|      | 90 Volt                 | 5207-451-005         |      |
| 7B-1 | Terminal Accessory      | 5311-101-001         | 1    |

| Item | Description        | Part Number  | Qty. |
|------|--------------------|--------------|------|
| 8    | Mounting Accessory | 5321-101-002 | 1    |
| 9    | Conduit Box        | 5200-101-010 | 1    |

### How to Order:

1. Specify Bore Size for Item 2 (both shafts).
2. Specify Voltage for Item 7.
3. Specify Inside or Outside Mounted for Item 7.
4. See Controls Section.

### Example:

SFC-650 Clutch Coupling,  
Flange Mounted per I-25728 - 90 Volt, 1" Bore

These units, when used in conjunction with the correct Warner Electric conduit box, meet the standards of UL508 and are listed under guide card #NMTR, file #59164.

These units are CSA certified under file #LR11543.

\*See page 252 for specific part numbers.

Refer to Service Manual P-0202-WE