

CB Actuator Gap Adjustment

Actuator gap is factory set and does not require adjustment at installation, only when replacing solenoids.

Push collar sleeve toward actuator while bottoming plunger into solenoid. Do not push on actuator.

Adjust gap to .020 / .030 inch for all sizes except CB-10 gap .040 / .060 inch.

Note: If a multiple stop the cam height will vary, measure over the highest cam.

Tighten solenoid adjustment screws. Measure gap to verify .020 / .030 inch, readjust if required.

Note: AC - Solenoids — If plunger does not bottom in solenoid it will overheat when energized.

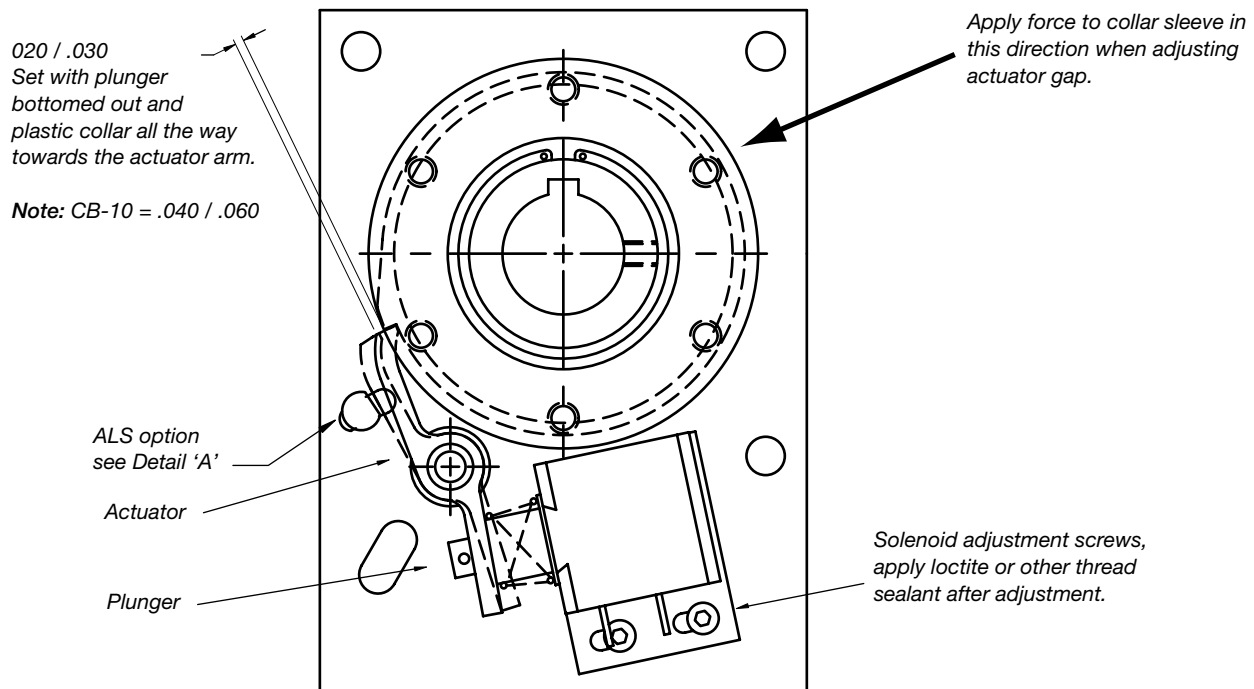
Tighten solenoid adjustment screws. Measure gap to verify .020 / .030 inch, readjust if required.

Note: AC - Solenoids — If plunger does not bottom in solenoid it will overheat when energized.

Optional Actuator Limit Stop (ALS)

After setting gap with plunger bottomed in solenoid, slide limit stop post in slot until it comes in contact with back of actuator and does not reduce the actuator gap. Move post slightly away from actuator, tighten and verify gap is correct. Sizes 4 and 6 have an eccentric bar that is rotated to adjust.

CB-8 Shown - Layout of unit and optional ALS will vary by size



Optional ALS (Actuator Limit Stop) style will vary by size

