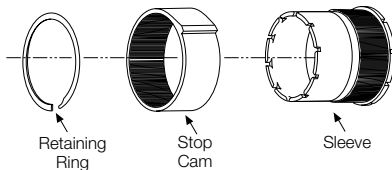


CB Series Clutch / Brake

Specifications	CB-2	CB-4	CB-5	CB-6	CB-8	CB-10
Static Torque	25 lb.in. (2.825 N-m)	120 lb.in. (13.56 N-m)	250 lb.in. (28.25 N-m)	500 lb.in. (56.5 N-m)	2,500 lb.in. (282.5 N-m)	5,000 lb.in. (565 N-m)
Maximum anti- overrun holding capability	10 lb.in. (1.13 N-m)	25 lb.in. (2.825 N-m)	45 lb.in. (5.085 N-m)	300 lb.in. (33.9 N-m)	600 lb.in. (67.8 N-m)	1,200 lb.in. (135 N-m)
Maximum anti-back holding capability	10 lb.in. (2.034 N-m)	80 lb.in. (9.04 N-m)	160 lb.in. (18.08 N-m)	300 lb.in. (33.9 N-m)	600 lb.in. (67.8 N-m)	1,200 lb.in. (135 N-m)
Inertia, rotating parts	.034 lb.in. ²	.064 lb.in. ²	.195 lb.in. ²	1.718 lb.in. ²	12.84 lb.in. ²	48 lb.in. ²
Maximum radial bearing load at maximum speed	7.5 lbs.	14 lbs.	32 lbs.	63 lbs.	300 lbs.	500 lbs.
Maximum operating speed	1,800 RPM	1,200 RPM	750 RPM	500 RPM	300 RPM	200 RPM
Response time, voltage on at full speed	20 MS	24 MS	27 MS	45 MS	50 MS	85 MS
Weight	1 lb.	2 lbs.	3 lbs.	7 lbs.	15 lbs.	29 lbs.

See page 36 for Minimum Inertia Requirements.
See page 8 for Mounting Examples.

Control Collars



These clutch/brakes (except CB-2) offer unique splined stop collars which can be adjusted radially in fine increments. This feature allows the user to reposition the output to comply with specified shaft and keyway placements. Standard stop collar positioning increments are shown below for all models:

CB-2	Infinitely Adjustable
CB-4	2.4° Adjustable
CB-5	1.8° Adjustable
CB-6	1.8° Adjustable
CB-8	1.6° Adjustable
CB-10	1.5° Adjustable

Optional Multiple Stop Collars



A one, two or four stop collar is standard on CB Series clutch/brakes. A variety of stop collar configurations, up to 24 stops maximum, are available. Consult Warner Electric Technical Support at 800-825-9050 for complete information.

Basic Selection

See pages 6–7 for basic product selection guidelines.

For complete Application Engineering information see pages 36-38.

How to Order

Order by part number (see chart on dimensions page) or specify as follows.

Specify:

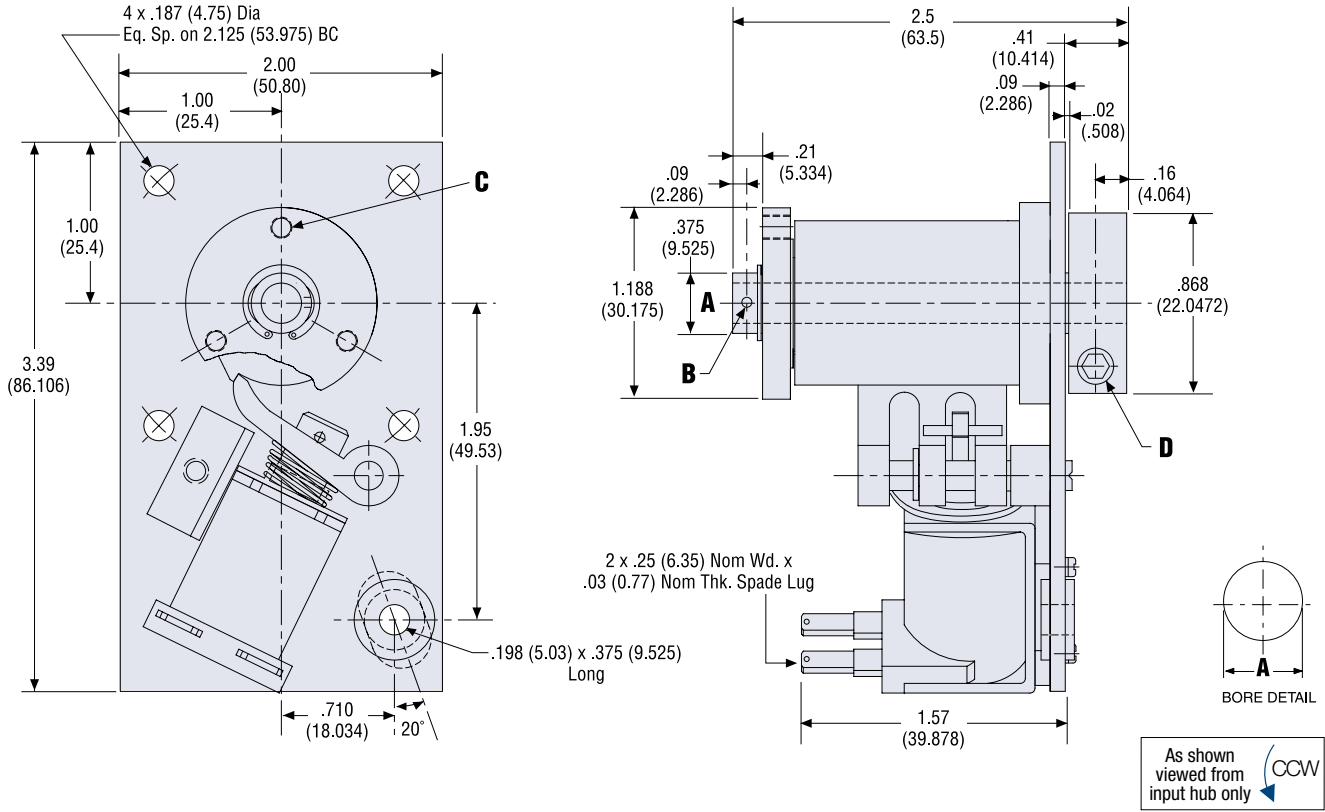
- Series CB:
English
Metric
- Size: CB-2, CB-4, CB-5, CB-6, CB-8, CB-10
- Direction of rotation:
CW Clockwise
CCW Counterclockwise
- Coil voltage:
115 AC or 24 DC are standard
12 DC or 90 DC are options
- Bore size:
CB-2 = 1/4"
CB-4 = 3/8"
CB-5 = 1/2"
CB-6 = 3/4" or 1"
CB-8 = 1 1/4" or 1 1/2" standard
1" or 1 3/8" special order
CB-10 = 1 1/2" or 1 3/4" standard
1 1/4" or 1 5/8" special order
- Stop collar:
1, 2 or 4 stops standard
Other stop collars are available as specials

Example: CB-8, CCW, 115VAC, 1" bore, 4 stop collar

CB	-8	CCW	115VAC	1"	4
1	2	3	4	5	6

CB-2 Clutch / Brake

Dimensions in. (mm)



Bore Sizes

	Bore A	Pin Hole B	Mtg. Holes C	Set Screws D
English in. (mm)	.251 - .253 (6.3655-6.4263)	.062 (1.5748)	3x #6-32 Eq. Sp. on .938 BC	#8 SHCS
Metric mm (in.)	6.0 H9 (.2362-.2374)	1.5 (.055-.062)	3x M4 x 0.7 Eq. Sp. on 23.83 BC	M4 x 0.7 SHCS

All dimensions are nominal unless otherwise noted.

CB-2 Part Numbers

Bore Size	Voltage	Rotation	Stops		
			1	2	4
0.25"	24 VDC	CW	302-17-001	302-17-002	302-17-003
		CCW	302-27-001	302-27-011	302-27-003
0.25"	115 VAC	CW	302-17-007	302-17-008	302-17-009
		CCW	302-27-007	302-27-008	302-27-009

These are the most commonly requested parts – other voltages (such as 12VDC and 90VDC), bores and stop collars are available. See page 40 for metric part numbers.

Electrical Data (±10%)

Voltage	Current (amps)	Resistance (ohms)	Status
115 AC 60 Hz	.10*	825	Standard
24 DC	.23	104	Standard
12 DC	.46	26	Option
90 DC	.06	1510	Option

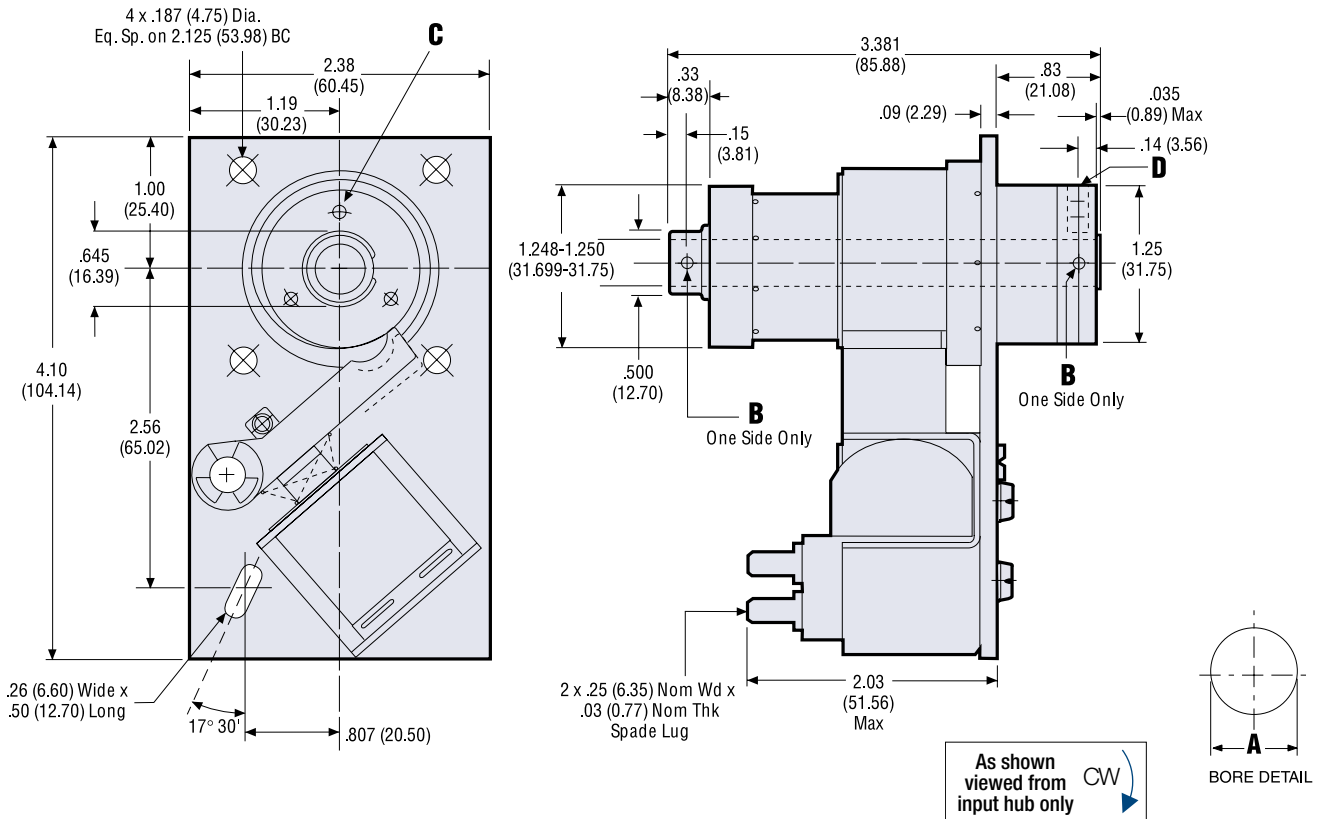
(Coils are rated for continuous duty)
 *115 AC-In rush current .10 amps, Holding current .05 amps

Specifications

Static Torque	25 lb.in.
Maximum anti-overnun holding capability	10 lb.in.
Maximum anti-back holding capability	10 lb.in.
Inertia, rotating parts	.034 lb.in. ²
Maximum radial bearing load at maximum speed	7.5 lbs.
Maximum operating speed	1,800 RPM
Response time, voltage on at full speed	20 MS
Weight	1 lb.

CB-4 Clutch / Brake

Dimensions in. (mm)



Bore Sizes

	Bore A	Pin Hole B	Mtg. Holes C	Set Screws D
English in. (mm)	.376-.378 (9.55-9.60)	.125 (3.175)	3x #6-32 Eq. Sp. on .938 BC	#8-32 x .188 Lg. Hex Skt. Set Screw
Metric mm (in.)	10.0 H9 (.3937-.3951)	3.0 (.117-.121)	3x M4 x 0.7 on 23.83 BC	M4 x 0.7 x 5.0 Lg. Hex Skt. Set Screw

All dimensions are nominal unless otherwise noted.

CB-4 Part Numbers

Bore Size	Voltage	Rotation	Stops		
			1	2	4
0.375"	24 VDC	CW	304-17-001	304-17-011	304-17-007
		CCW	304-27-001	304-27-007	304-27-026
0.375"	115 VAC	CW	304-17-003	304-17-008	304-17-018
		CCW	304-27-003	304-27-015	304-27-025

These are the most commonly requested parts – other voltages (such as 12VDC and 90VDC), bores and stop collars are available. See page 40 for metric part numbers.

Electrical Data (±10%)

Voltage	Current (amps)	Resistance (ohms)	Status
115 AC 60 Hz	.10*	280	Standard
24 DC	.32	74	Standard
12 DC	.73	16.4	Option
90 DC	.10	936	Option

(Coils are rated for continuous duty)

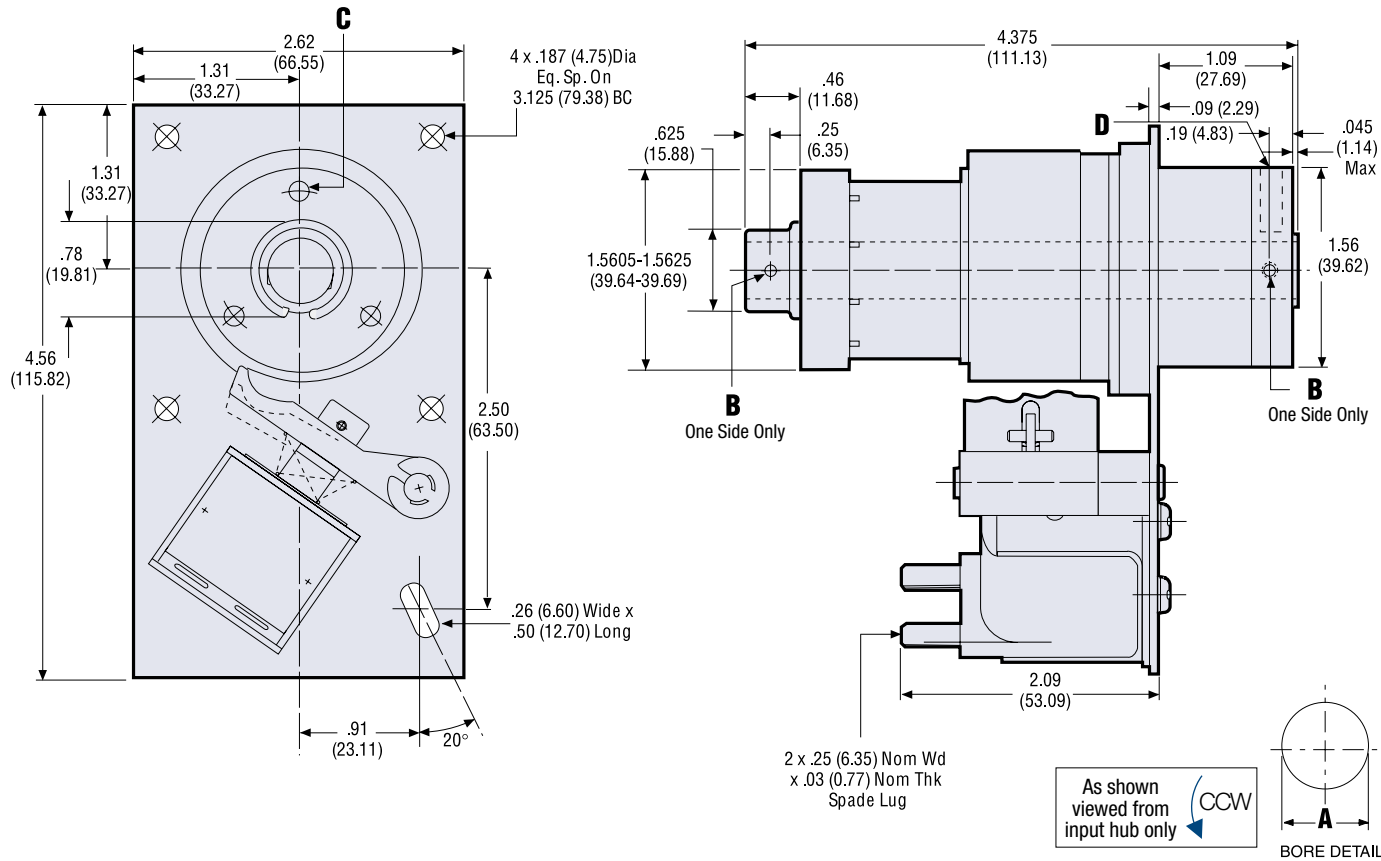
*115 AC-In rush current .22 amps, Holding current .09 amps

Specifications

Static Torque	120 lb.in.
Maximum anti-overrun holding capability	25 lb.in.
Maximum anti-back holding capability	80 lb.in.
Inertia, rotating parts	.064 lb.in. ²
Maximum radial bearing load at maximum speed	14 lbs.
Maximum operating speed	1,200 RPM
Response time, voltage on at full speed	24 MS
Weight	2 lb.

CB-5 Clutch / Brake

Dimensions in. (mm)



Bore Sizes

	Bore A	Pin Hole B	Mtg. Holes C	Set Screws D
English in. (mm)	.5005-.5025 (12.712-12.764)	.125 (3.175)	3x #10-32 UNF-2B Eq. Sp. on 1.25 BC	#8-32 x .25 Skt. Set Screw
Metric mm (in.)	12.0 H9 (.4724-.4741)	3.0 (.117-.121)	3x M5 x 0.8 on 31.75 BC	

All dimensions are nominal unless otherwise noted.

CB-5 Part Numbers

Bore Size	Voltage	Rotation	Stops		
			1	2	4
0.5"	24 VDC	CW	305-17-001	305-17-002	305-17-003
		CCW	305-27-001	305-27-002	305-27-003
0.5"	115 VAC	CW	305-17-007	305-17-008	305-17-009
		CCW	305-27-007	305-27-008	305-27-009

These are the most commonly requested parts – other voltages (such as 12VDC and 90VDC), bores and stop collars are available. See page 40 for metric part numbers.

Electrical Data (±10%)

Voltage	Current (amps)	Resistance (ohms)	Status
115 AC 60 Hz	.10*	280	Standard
24 DC	.32	74	Standard
12 DC	.73	16.4	Option
90 DC	.10	936	Option

(Coils are rated for continuous duty)

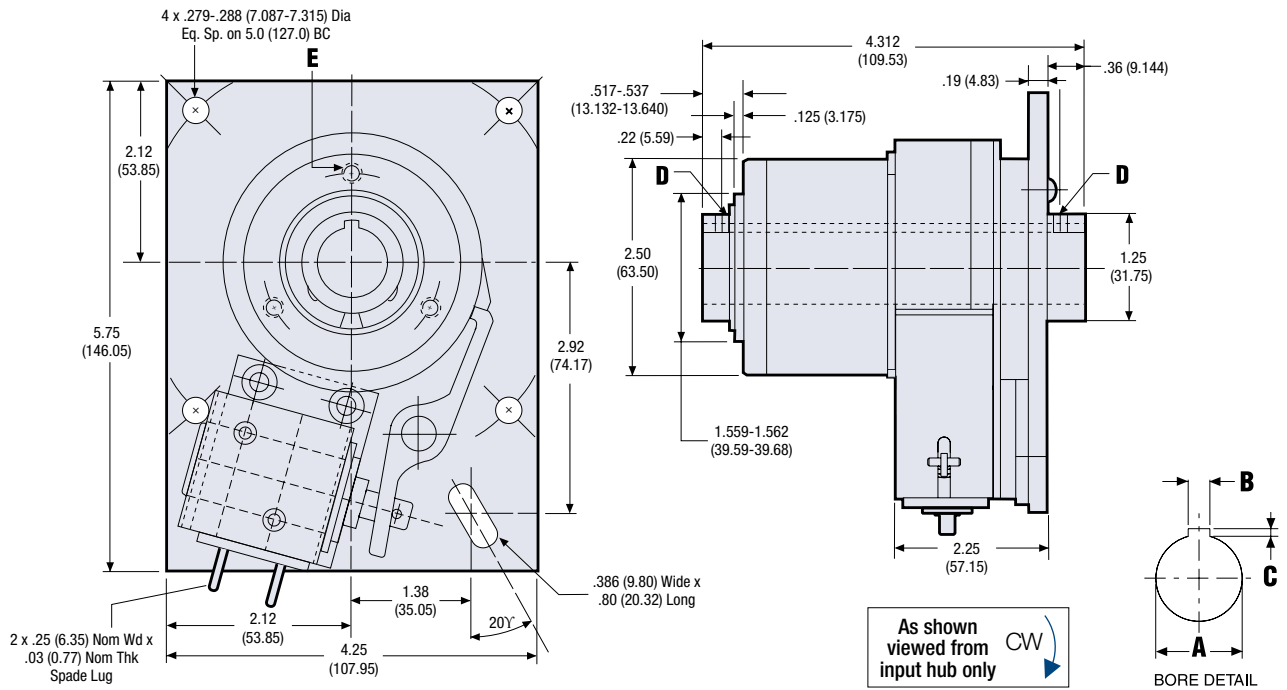
*115 AC-In rush current .22 amps, Holding current .09 amps

Specifications

Static Torque	250 lb.in.
Maximum anti-overnun holding capability	45 lb.in.
Maximum anti-back holding capability	160 lb.in.
Inertia, rotating parts	.195 lb.in. ²
Maximum radial bearing load at maximum speed	32 lbs.
Maximum operating speed	750 RPM
Response time, voltage on at full speed	27 MS
Weight	3 lb.

CB-6 Clutch / Brake

Dimensions in. (mm)



Bore & Keyway Sizes

	Bore A	Keyway Width B	Keyway Depth C	Set Screws/Pin Hole D	Mtg. Holes E
English in. (mm)	.7505-.7525 (19.062-19.114)	.1875 (4.7625)	.09375 (2.381)	2x #10-32 UNF-2B	3x #1/4-20 UNC-2B Eq. Sp. on 2.062 BC
	1.0005-1.0025 (25.412-25.464)	—	—	2x .187 Hole (4.7498)	3x #1/4-20 UNC-2B Eq. Sp. on 2.062 BC
Metric mm (in.)	20.0 H9 (.7874-.7894)	6.0 (.2362)	2.8 (.1102)	2x M5 x 0.8 x 5.0 Lg. Hex Soc. Set Screw	3x M6 x 1.0 on 52.38 BC
	25.0 H9 (.9842-.9862)	—	—	2x 5.0 Hole (.191-.203)	3x M6 x 1.0 on 52.38 BC

All dimensions are nominal unless otherwise noted.

CB-6 Part Numbers

Bore Size	Voltage	Rotation	Stops		
			1	2	4
0.75"	24 VDC	CW	306-17-051	306-17-074	306-17-162
		CCW	306-27-029	306-27-046	306-27-134
0.75"	115 VAC	CW	306-17-053	306-17-060	306-17-073
		CCW	306-27-031	306-27-039	306-27-045
1.0"	24 VDC	CW	306-17-057	306-17-061	306-17-031
		CCW	306-27-032	306-27-147	306-27-150
1.0"	115 VAC	CW	306-17-059	306-17-062	306-17-075
		CCW	306-27-034	306-27-044	306-27-037

These are the most commonly requested parts – other voltages (such as 12VDC and 90VDC), bores and stop collars are available. See page 40 for metric part numbers.

Electrical Data (±10%)

Voltage	Current (amps)	Resistance (ohms)	Status
115 AC 60 Hz	.33*	53.5	Standard
24 DC	.60	39.9	Standard
12 DC	1.15	10.4	Option
90 DC	.15	598	Option

(Coils are rated for continuous duty)

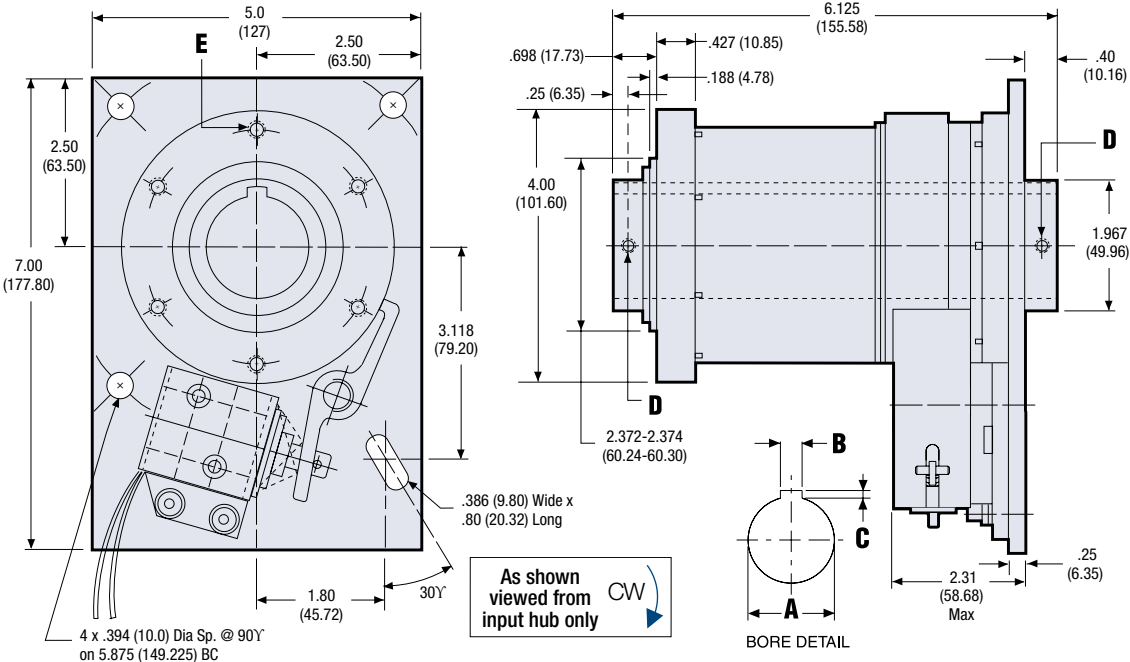
*115 AC-In rush current .62 amps, Holding current .31 amps

Specifications

Static Torque	500 lb.in.
Maximum anti-overrun holding capability	300 lb.in.
Maximum anti-back holding capability	300 lb.in.
Inertia, rotating parts	1.718 lb.in. ²
Maximum radial bearing load at maximum speed	63 lbs.
Maximum operating speed	500 RPM
Response time, voltage on at full speed	45 MS
Weight	7 lb.

CB-8 Clutch / Brake

Dimensions in. (mm)



Bore & Keyway Sizes

	Bore A	Keyway Width B	Keyway Depth C	Set Screws D	Mtg. Holes E
English in. (mm)	1.2505-1.2525 (31.762-31.814)	.3125 (7.9375)	.15625 (3.9688)	2x #1/4-20 UNC-2B	6x 5/16-18 UNC-2B Eq. Sp. on 3.375 BC
	1.5005-1.5025 (38.112-38.164)	.375 (9.525)	.125 (3.175)	2x #1/4-20 x UNC-2B	6x 5/16-18 UNC-2B Eq. Sp. on 3.375 BC
Metric mm (in.)	35.0 H9 (1.3780-1.3804)	10.0 (.3937)	3.3 (.1299)	2x M6 x 1.0 x 10.0 Lg. Hex Soc. Set Screw	6x M8 x 1.25 on 85.73 BC
	40.0 H9 (1.5784-1.5772)	—	—	2x M6 x 1.0 x 10.0 Lg. Hex Soc. Set Screw	6x M8 x 1.25 on 85.73 BC

All dimensions are nominal unless otherwise noted.

CB-8 Part Numbers

Bore Size	Voltage	Rotation	Stops		
			1	2	4
1.25"	24 VDC	CW	308-17-101	308-17-102	308-17-103
		CCW	308-27-101	308-27-102	308-27-103
1.25"	115 VAC	CW	308-17-107	308-17-108	308-17-109
		CCW	308-27-107	308-27-108	308-27-109
1.5"	24 VDC	CW	308-17-119	308-17-120	308-17-121
		CCW	308-27-119	308-27-120	308-27-121
1.5"	115 VAC	CW	308-17-125	308-17-126	308-17-127
		CCW	308-27-125	308-27-126	308-27-127

These are the most commonly requested parts – other voltages (such as 12VDC and 90VDC), bores and stop collars are available. See page 40 for metric part numbers.

Electrical Data (±10%)

Voltage	Current (amps)	Resistance (ohms)	Status
115 AC 60 Hz	.33*	53.5	Standard
24 DC	.60	39.8	Standard
12 DC	1.15	10.4	Option
90 DC	.15	598	Option

(Coils are rated for continuous duty)

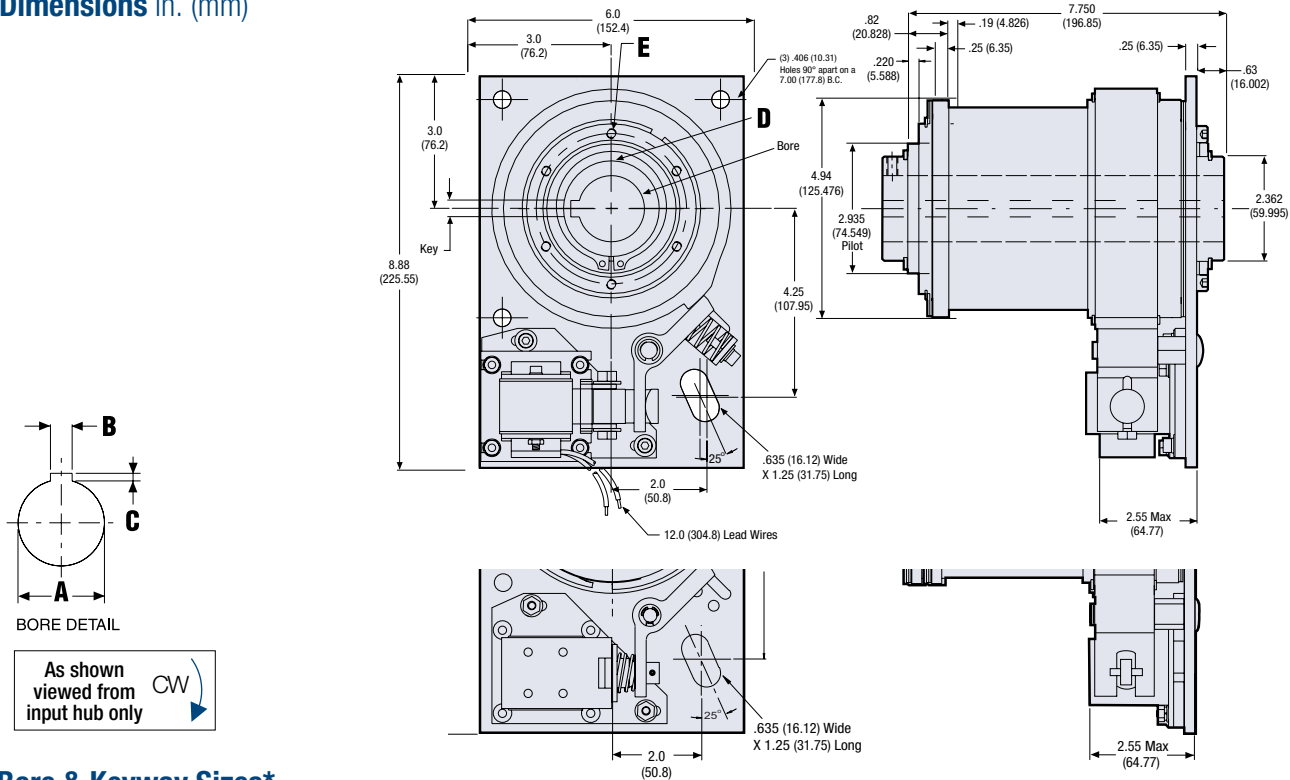
*115 AC-In rush current .62 amps, Holding current .31 amps

Specifications

Static Torque	2,500 lb.in.
Maximum anti-overnun holding capability	600 lb.in.
Maximum anti-back holding capability	600 lb.in.
Inertia, rotating parts	12.840 lb.in. ²
Maximum radial bearing load at maximum speed	300 lbs.
Maximum operating speed	300 RPM
Response time, voltage on at full speed	50 MS
Weight	15 lb.

CB-10 Clutch / Brake

Dimensions in. (mm)



Bore & Keyway Sizes*

	Bore A	Keyway Width B	Keyway Depth C	Set Screws D	Mtg. Holes E
English in.	1.5005-1.503	.375	.187	#1/4-20 x UNC-2B	6x 1/4-20 UNC-2B
(mm)	(38.113-38.177)	(9.525)	(4.75)		Eq. Sp. on 3.417 BC
	1.7505-1.753	.375	.187	#1/4-20 x UNC-2B	6x 1/4-20 UNC-2B
	(44.464-44.527)	(9.525)	(4.75)		Eq. Sp. on 3.417 BC
Metric mm	40.0 H9	12.0	4.0	M6 x 1.0 x 10.0	6x M8 x 1.25 on
(in.)	(1.5784-1.5772)	(.4724)	(.1574)	Lg. Hex Soc. Set Screw	86.79 BC

All dimensions are nominal unless otherwise noted. * Optional Bores and Keys: 1.2505/1.2530 (31.7627/31.8262) for .3125 (7.9375) Sq Key
1.6255/1.6280 (41.2877/41.3512) for .375 (9.525) Sq Key

CB-10 Part Numbers

Bore Size	Voltage	Rotation	Stops		
			1	2	4
1.5"	24 VDC	CW	300-17-051	300-17-052	300-17-053
		CCW	300-27-030	300-27-051	300-27-052
1.5"	115 VAC	CW	300-12-033	300-12-051	300-12-044
		CCW	300-22-033	300-22-047	300-22-041
1.75"	24 VDC	CW	300-17-031	300-17-070	
		CCW	300-27-031		
1.75"	115 VAC	CW	300-12-034	300-12-053	300-12-054
		CCW	300-22-034	300-22-054	300-22-055

These are the most commonly requested parts – other voltages (such as 12VDC and 90VDC), bores and stop collars are available. See page 40 for metric part numbers.

Electrical Data (±10%)

Voltage	Current (amps)	Resistance (ohms)	Status
115 AC 60 Hz	.6*	11.5	Standard
24 DC	.94	25.4	Standard
12 DC	1.90	6.3	Option
90 DC	.24	378	Option

(Coils are rated for continuous duty)

*115 AC-In rush current 5.3 amps, Holding current .6 amps

Specifications

Static Torque	5,000 lb.in.
Maximum anti-ovrun holding capability	1,200 lb.in.
Maximum anti-back holding capability	1,200 lb.in.
Inertia, rotating parts	48 lb.in. ²
Maximum radial bearing load at maximum speed	500 lbs.
Maximum operating speed	200 RPM
Response time, voltage on at full speed	85 MS
Weight	29 lb.