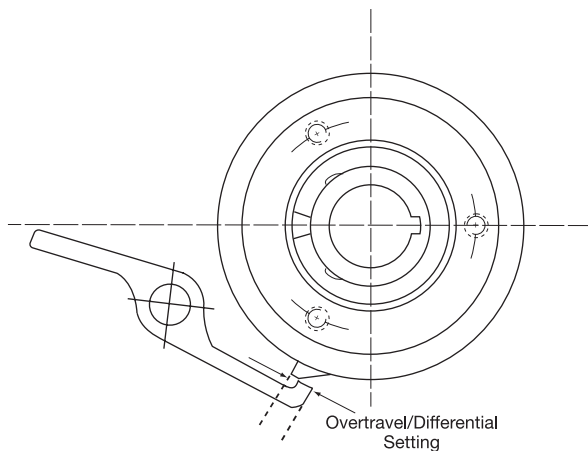


CB Spring Differential Setting

CB Spring Differential Setting

All CB and Super CB Series clutch/brakes are factory-set to the proper spring differential overtravel. If a spring must be replaced, prior to disassembly, make sure the two spring tang slots are marked to help ensure proper reassembly. (There should be punch marks from the factory on either side of the spring tang slots marking those used for the correct differential setting.) If the slots are unmarked and the unit has been disassembled, use the following procedure to reset the spring differential.

1. Remove the retaining ring from the input hub.
2. Rotate the clutch so the brake spring is fully wrapped down by rotating the output shaft in the driving direction until it cannot travel any farther.
3. With the brake fully engaged (per step 2), pull the input hub assembly out, and pull the clutch spring tang out of its slot, allowing it to jump to wherever it comes to rest.
4. Unwrap the clutch spring and push it backwards into the nearest slot.
5. Push the input hub back into place, release the actuator, and rotate the clutch until the brake spring fully wraps down again.
6. With the brake fully engaged (wrapped down per step 2), hold the shaft with one hand and release the actuator. The stop collar will rotate forward as the brake is released and the clutch engages.



7. Measure the overtravel, use calipers to measure the distance between the tip of the actuator, and the tip of the stop on the cam.

The Amount of Acceptable Overtravel Varies with the Size of the Unit

CB-2	.09 to .19"
CB-4	.09 to .19"
CB-5/Super CB-5	.09 to .19"
CB-6/Super CB-6	.22 to .38"
CB-8/Super CB-8	.39 to .60"
CB-10/Super CB-10	.60 to .75"

8. If the overtravel measurement is within these specified limits, reinstall the retaining ring and the unit's overtravel is reset.
- 9 A. If the overtravel exceeds the specified limit, move the brake spring backwards one slot (against the direction of rotation) and repeat steps two through seven.
- B. If the overtravel is less than the specified limit, move the brake spring forward one slot (in the direction of rotation) and repeat steps two through seven.

If Spring Replacement Is Not Required

If the unit is disassembled and the drive and/or brake springs do not need to be replaced, proceed as follows:

- Reposition the drive and brake springs into their original positions onto the output shaft assembly.
- Reassemble the clutch, and position the spring tangs of the drive and brake springs in the factory marked locations on the control collar assembly (on the control collar, the designated tang slots are indicated with punch marks on either side of each slot).
- After the unit is completely reassembled, the differential setting should match that of the original factory setting.