

E510 VAR 00

Electro-Magnetic Single Disc Brake

Characteristics

- Electrically operated 24 or 103,5 VDC depending size
- Single friction face
- Activated by power on

Utilisation

- Braking or holding of a shaft

Particularities

- No Backlash
- For dry use
- No residual torque in disengaged position

Adjustments

- Airgap "P" should be adjusted at installation
- Does not require wear compensation

Maintenance Manual

- SM 315

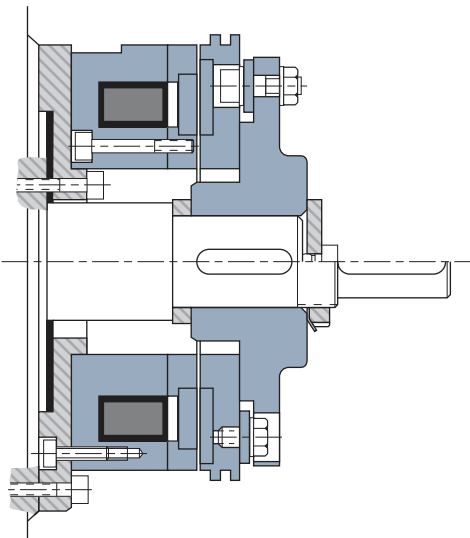
Mounting Precautions

- Device intended for horizontal or vertical use

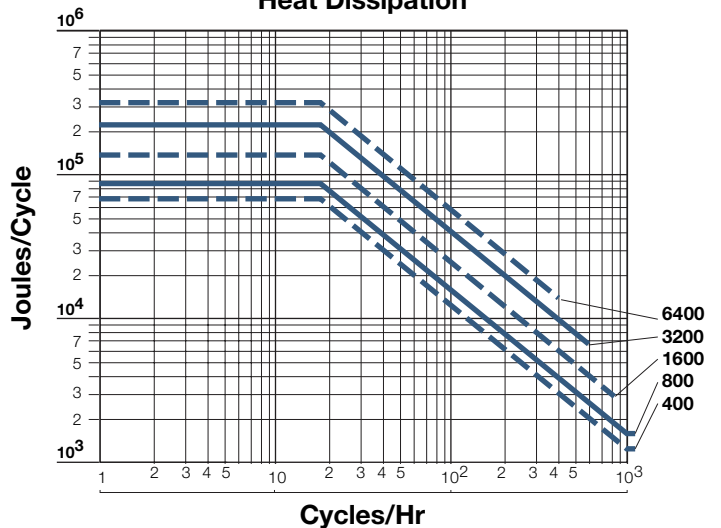
Power Supply

- For sizes until 1600 :
CBC 400-24, CBC 450-24
CBC 500-24, CBC 550-24
CBC 140-5 + CBC 140-T (24V)
- For size 3200 :
CBC 140-5 (103,5V)

Mounting Example

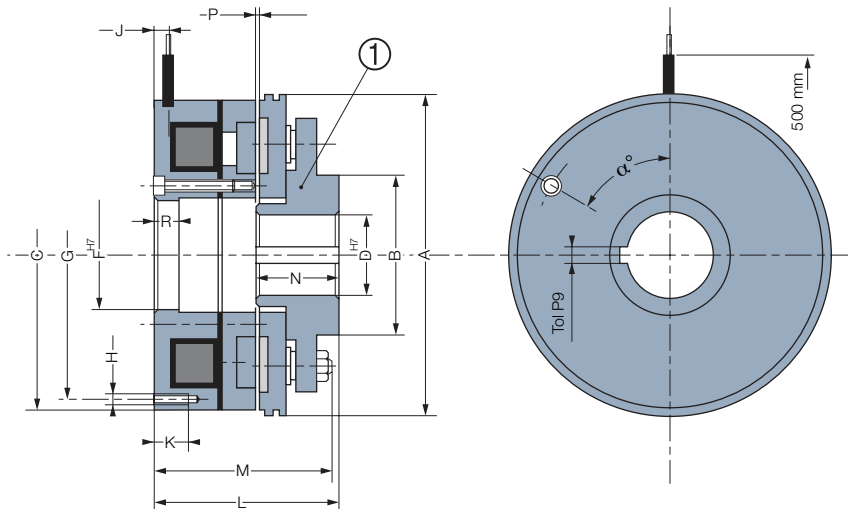


Heat Dissipation



Electro-Magnetic Single Disc Brake

Direct Drive

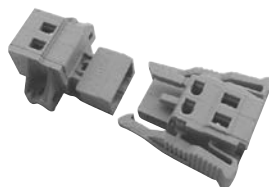


Sizes			400	800	1600	3200	6400
Nom. Torque		[Nm]	400	800	1600	3200	6400
Max. Speed		[min.°]	2000	1700	1500	1500	1500
Voltage		[VDC]	24	24	24	103,5	103,5
Power	P20	[W]	29	36	59	89	121
	A		260	300	360	450	560
	B		100	120	140	175	230
	C		260	300	360	450	560
	D min		35	40	50	65	80
	D max		70	80	100	110	150
	E		-	-	-	-	-
	F		110	125	150	195	265
	G		225	265	320	400	500
	H		4xM8	4xM10	4xM12	6xM12	6xM16
	J		7	7	10	10	10
	K		20	20	25	25	30
	L		90	105	120	141	161
	M		95	110	128	146,5	166,5
	N		46	54	60	100	118
	P		0,5	0,6	0,8	0,8	1
	Q		-	-	-	-	-
	R		30	30	30	30	30
	α°		45°	45°	45°	30°	30°
Inertia	①	[kgm ²]	0,0342	0,0736	0,2042	0,681	1,975
Weight		[kg]	18,1	30	51	105	190
Connection	Cable						

Connector Options

(Delivered without cable)

2 poles, capacity : 0,5/2,5mm²



Keyways according to
ISO/R 773 / BS 4235 / DIN 6885-1 / NF E 22-175, tolerance P9