

# L331 VAR 00

## Mechanical Multi Disc Torque Limiter

### Characteristics

- Monobloc torque limiter
- Multi disc
- Activated by spring pressure

### Utilisation

- Periodic or transitory overload limitation

### Particularities

- Encapsulated device, discs operate in oil

### Adjustments

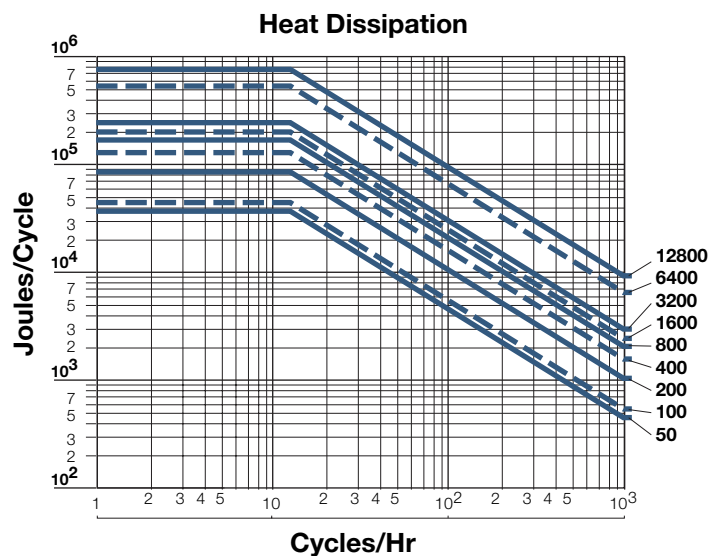
- Adjustment of slip moment by screw settings
- To anticipate an adjustment in case of wear

### Maintenance Manual

- SM 314

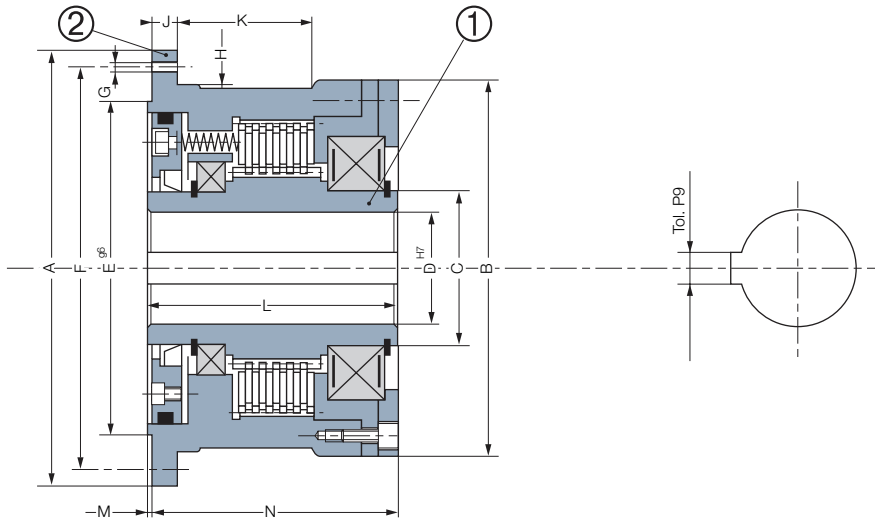
### Mounting Precautions

- Define slipping time to meet heat dissipation capabilities
- Device intended for horizontal or vertical use



## Mechanical Multi Disc Torque Limiter

**Indirect  
Drive**



Sizes		50	100	200	400	800	1500	3200	6400	12800
<b>Nom. Torque</b>	[Nm]	50	100	200	400	800	1600	3200	6400	12800
<b>Max. Speed</b>	[min <sup>-1</sup> ]	4800	3800	3200	2700	2200	1900	1600	1300	1000
A		130	165	165	180	206	250	250	318	450
B		115	125	135	150	180	200	232	295	375
C		40	50	60	70	85	100	120	150	180
D* min		18	20	25	30	30	45	50	80	100
D* max		30	36	48	55	65	80	95	120	140
E		95	120	120	135	160	200	200	255	370
F		115	145	145	160	185	225	225	290	410
G For Screws		6xM8	8xM10	8xM10	10xM10	10xM12	12xM12	12xM12	12xM16	16xM20
H		101,5	127,5	127,5	142,5	165,5	205,5	205,5	265,5	379
J		5	9	9	9	20	17	17	19	35
K		31	-	41	48	54	-	75	100	-
L		65	70	80	95	110	135	160	195	230
M		1	1	1	1	1,5	1,5	1,5	2	2,5
N		64	69	79	94	108,5	133,5	158,5	193	227,5
<b>Inertia</b>	① [kgm <sup>2</sup> ]	0,0005	0,0010	0,0021	0,0034	0,0103	0,0215	0,043	0,140	0,442
<b>Inertia</b>	② [kgm <sup>2</sup> ]	0,0064	0,013	0,0173	0,0284	0,0632	0,1589	0,228	0,740	3,026
<b>Weight</b>	[kg]	4,2	5,8	7,3	10,1	16,2	28,4	37,4	75	162

Keyways according to  
ISO R773 / BS 4235 / DIN 6885-1 / NF E 22-175, tolerance P9  
\* Mandatory delivered with finished bores