

Power Supply

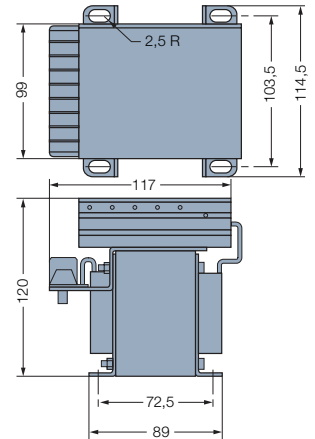
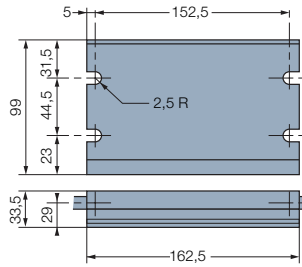
Controls

CBC 400/450

- Standard power supply with one or two outputs
- CBC 450 model includes multi tap input transformer

Maintenance Manual

- SM 322



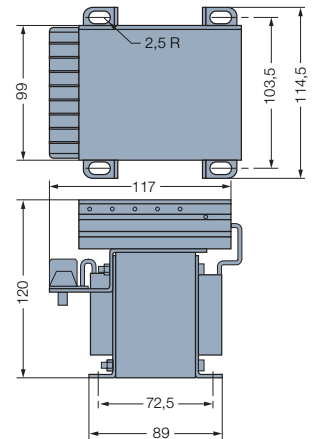
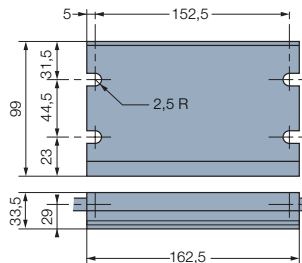
Model		CBC 400-24	CBC 400-90	CBC 450-90
	Part #	K6006-448-002	K6006-448-003	K6006-448-006
Supply	VAC	24 - 30	120	120/220/240/380/480
	Hz	50/60	50/60	50/60
	VA	250	250	250
Output 1 & 2	VDC	24	90	90
	A min	5	1	1
	A max	5	2	1.2
Input Signals	VCD	10 - 30	10 - 30	10 - 30
	mA	3 - 9	3 - 9	3 - 9
	Logic 1	pos / neg	pos / neg	pos / neg
Noise Suppression Range	Hz	40 - 600	40 - 600	40 - 600
Sensor Supply	VCD	12	12	12
	mA	100	100	250
Protection Fuse	A	6.3	2.5	1.5
Ambient Temperature	°C	0 - 50	0 - 50	0 - 50
IP65 Enclosed	°C	-10 - +45	-10 - +45	-10 - +45
Storage Temperature	°C	-25 - +80	-25 - +80	-25 - +80

CBC 500/550

- Power supply with torque adjustment capability with one or two adjustable outputs
- CBC 550 model includes multi tap input transformer

Maintenance Manual : SM 323

- SM 323



Model		CBC 500-24	CBC 500-90	CBC 550-24	CBC 550-90
	Part #	K6006-448-002	K6006-448-003	K6006-448-005	K6006-448-006
Supply	VAC	24 - 30	120	120/220/240/380/480	50/60
	Hz	50/60	50/60	50/60	50/60
	VA	250	250	250	250
Output 1 & 2	VDC	24	90	24	90
	A min	5	1	4	1
	A max	5	2	4	1.2
Input Signals	VCD	10 - 30	10 - 30	10 - 30	10 - 30
	mA	3 - 9	3 - 9	3 - 9	3 - 9
	Logic 1	pos / neg	pos / neg	pos / neg	pos / neg
Noise Suppression Range	Hz	40 - 600	40 - 600	40 - 600	40 - 600
Sensor Supply	VCD	12	12	12	12
	mA	100	100	250	250
Protection Fuse	A	6.3	2.5	5	1.5
Ambient Temperature	°C	0 - 50	0 - 50	0 - 50	0 - 50
IP65 Enclosed	°C	-10 - +45	-10 - +45	-10 - +45	-10 - +45
Storage Temperature	°C	-25 - +80	-25 - +80	-25 - +80	-25 - +80

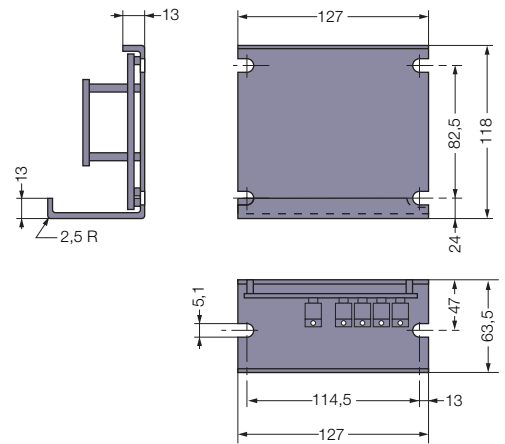
CBC 700

- Power supply with overexcitation control with one or two outputs

Option:

- IP65 enclosed, Part# K6042-101-004

MAINTENANCE MANUAL : SM 324



Model		CBC 700-24	CBC 700-90
	Part #	K6006-448-002	K6006-448-003
Supply	VAC	24 – 30	120
	Hz	50/60	50/60
	VA	150	100
Output 1 & 2	VDC	24	90
	VDC exc	105	340
	A min	3.5	0,5
	A max	3.5	0,5
Input Signals	VCD	10 – 30	10 – 30
	mA	10 – 35	10 – 35
	Logic 1	pos / neg	pos / neg
Noise Suppression Range	Hz	40 – 600	40 – 600
Sensor Supply	VCD	12	12
	mA	250	250
Protection Fuse	A	5	2
Ambient Temperature	°C	-18 - +60	-18 - +60
IP65 Enclosed	°C	-18 - +45	-18 - +45
Storage Temperature	°C	-25 - +80	-25 - +80

Power Supply

Controls

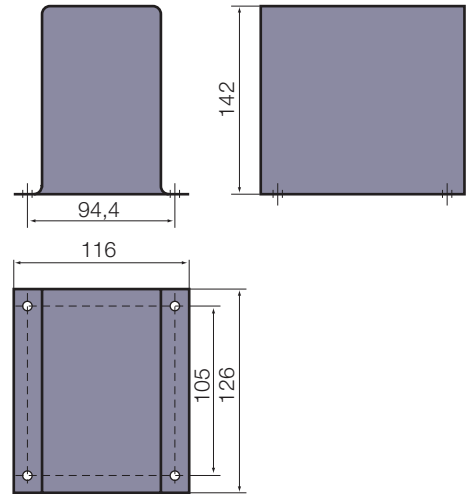
CBC 140-T

- Transformer

Maintenance Manual

- SM 326

	Part#	B905-9999
Supply	VAC	230/400
	Hz	50/60
	VA	150
Output	VAC	27 / 30
	A	6



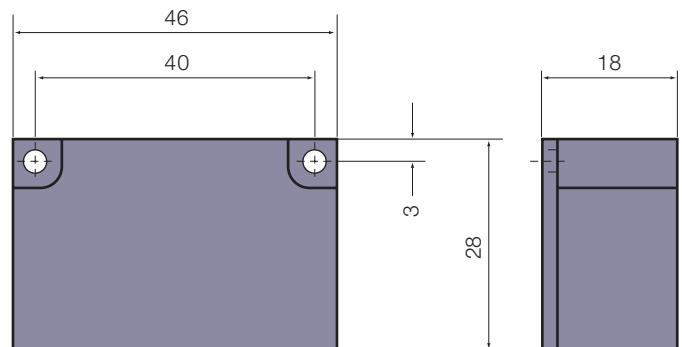
CBC 140-1

- Half wave power supply

Maintenance Manual

- SM 326

	Part#	ACG830A1P1
Supply	VAC	230/400
	Hz	50/60
Output	VDC	103,5/180
	A	1



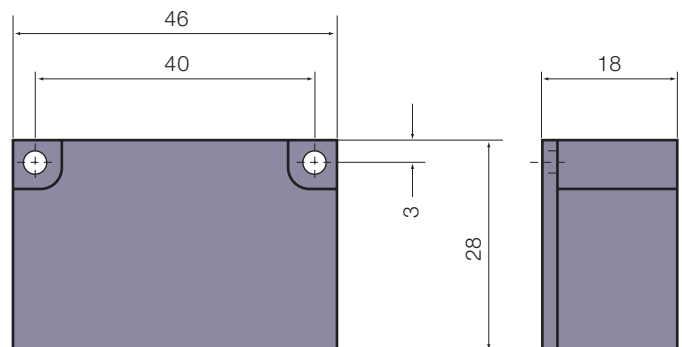
CBC 140-2

- Full wave power supply

Maintenance Manual

- SM 326

	Part#	ACG830A1P2		
Supply	VAC	27	115	230
	Hz		50/60	
Output	VDC	24	103,5	207
	A		2	



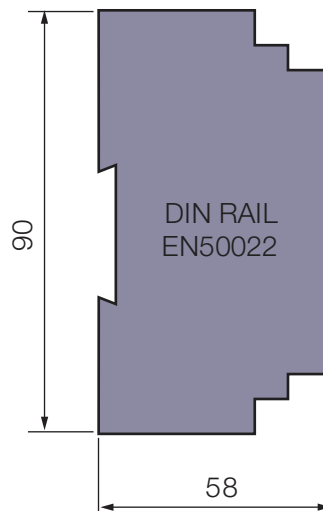
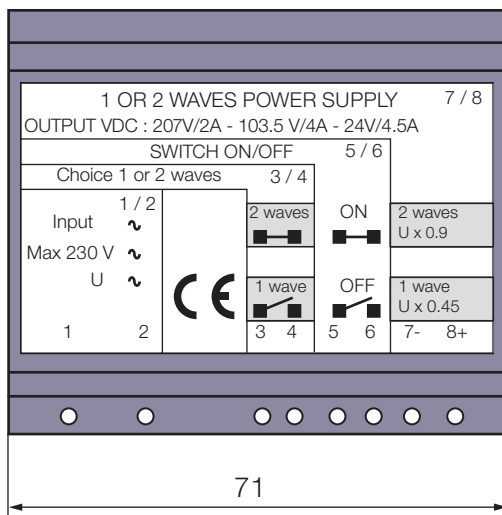
CBC 140-5

- Single or dual wave power supply
- For DIN rail mounting EN 50022
- With over-excitation control
- **Suitable for use with clutches and brakes with a 4,5 A (24V/108W), 4 A (103,5 V/414W and 2 A (207 V/414W) nominal current rating**
- **Admissible power during an overexcitation of 2 s max. at 207 V : 931 W (4,5 A)**
- Holding voltage set 50% max of the unit voltage

Maintenance Manual

- SM 326

Part# BT767000416							
Supply	VAC	230		115		30	
	50/60 Hz						
Overexcitation	VDC	207	103,5	103,5	51,7	24	12
Holding voltage	VDC	$U_i/2$		$U_i/2$		$U_i/2$	
Holding current	A	2	4	4	4	4,5	4,5
Holding power	W	414	414	414	207	108	54



Connector BT212095406

