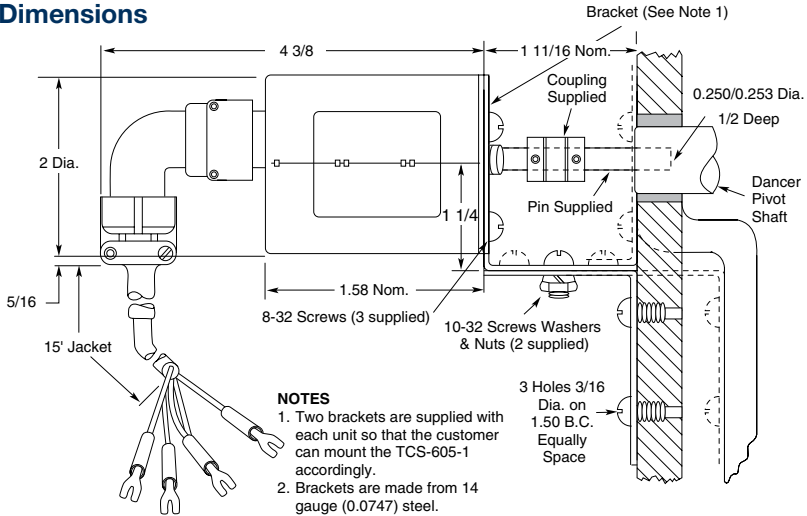


TCS-605-1
TCS-605-2
TCS-605-5

Warner Electric pivot point sensor is a precision electronic positioning device which is used with the MCS-203, MCS-207, TCS-210 or TCS-310 dancer control system to provide smooth control of unwind stands operating at any speed. The sensor is mounted at one end of the dancer roll pivot shaft where it monitors the angular position, direction of travel and relative speed of dancer arm movement. TCS-605-2 used with drive systems.



Dimensions



Specifications

Model No.	Part No.	Description
TCS-605-1	7330-448-002	Single turn potentiometer for dancer arm systems where the range of rotary motion from full-up to full-down dancer position is normally maintained within 60° (1KΩ)
TCS-605-2	7330-448-004	Single turn potentiometer for drive systems (5KΩ)
TCS-605-5	7330-448-003	Five turn potentiometer for festooned dancer systems (1KΩ)
Accessories		
BTCS620	7330-448-007	See manual for drawings
	284-8000-003	Coupling for Pivot Point Sensors
	7330-101-001	TCS-605 Cable Assembly Only
	7330-101-002	TCS-605-1 Sensor Assembly Only
	7330-101-003	TCS-605-5 Sensor Assembly Only

