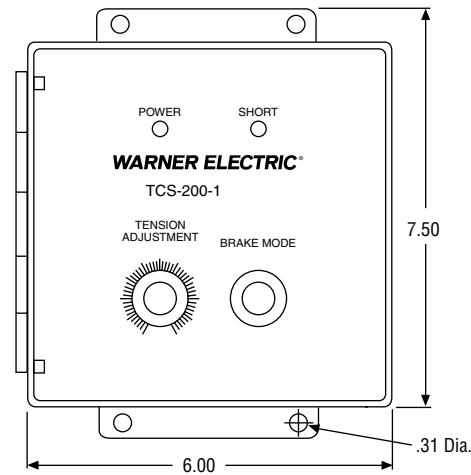


# Tension Controls

## Dimensions/Enclosures

### Dimensions

#### TCS-200-1

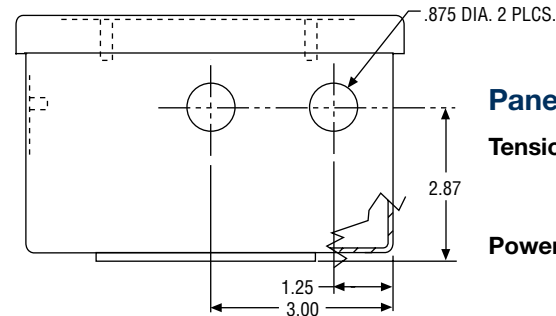
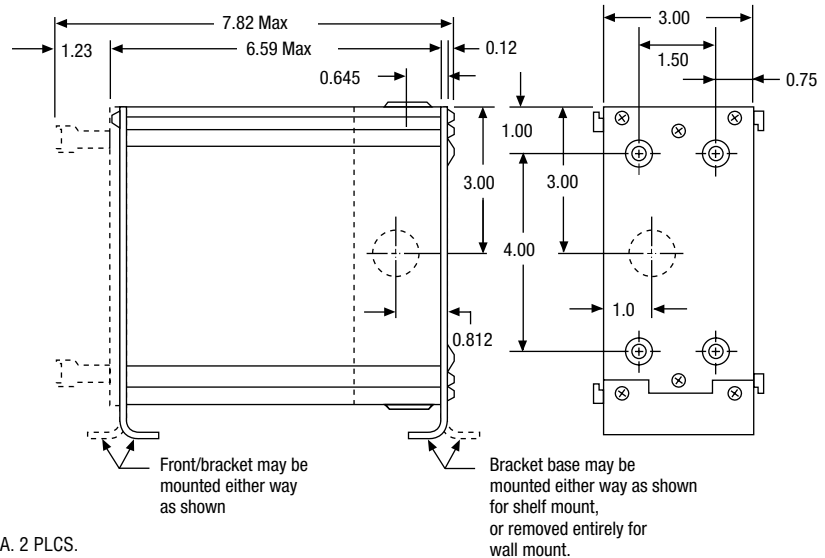


### Wall/Shelf Mount

**Tension Controls** – For use with MCS-203, MCS-204 or MCS-207 order part number 6910-448-016.

For use with TCS-210 or 220, order part number 6910-448-029.

**Power Supplies** – For use with MCS-166, order part number 6910-448-019.

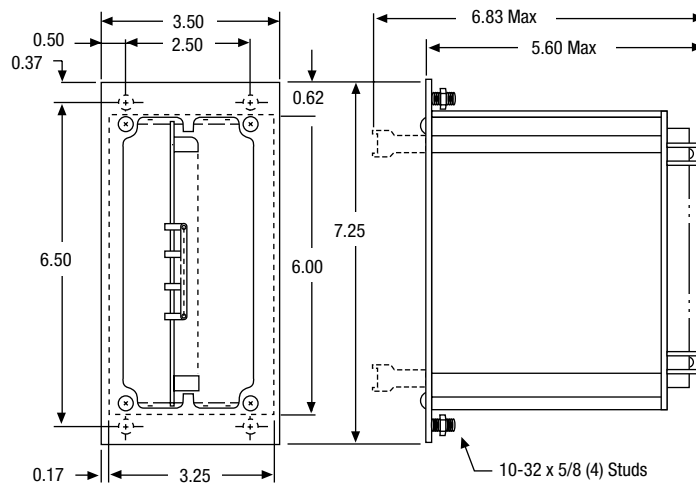
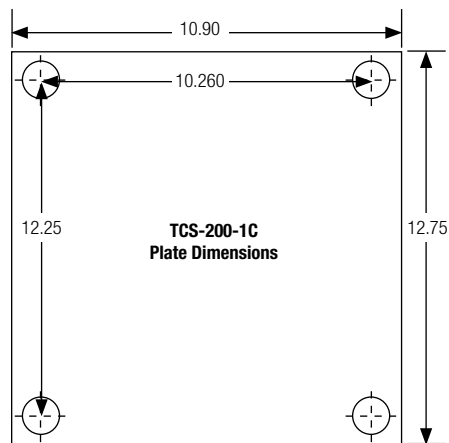


### Panel Mount

**Tension Controls** – For use with MCS-203, MCS-204 or MCS-207 order part number 6910-448-015.

For use with TCS-210 or 220, order part number 6910-448-028.

**Power Supplies** – For use with MCS-166, order part number 6910-448-018.

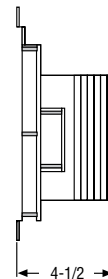
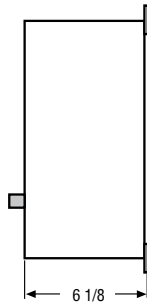
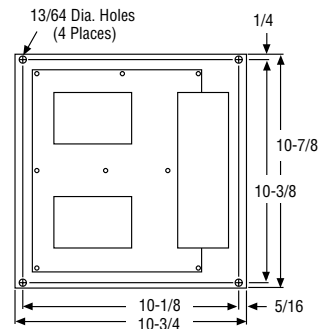
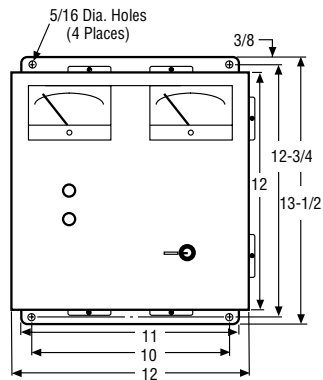


### Ribbon Cable

A ribbon cable has been added to the rear terminal board of the MCS-203/204/207 and MCS-166 enclosures to improve performance and reliability. The upgrade is fully retrofitable and enclosure part numbers have not changed.

### Dual Brake Controls

#### TCS-310



### Power Supplies

#### TCS-167, TCS-168

(P/N 6910-448-033)

