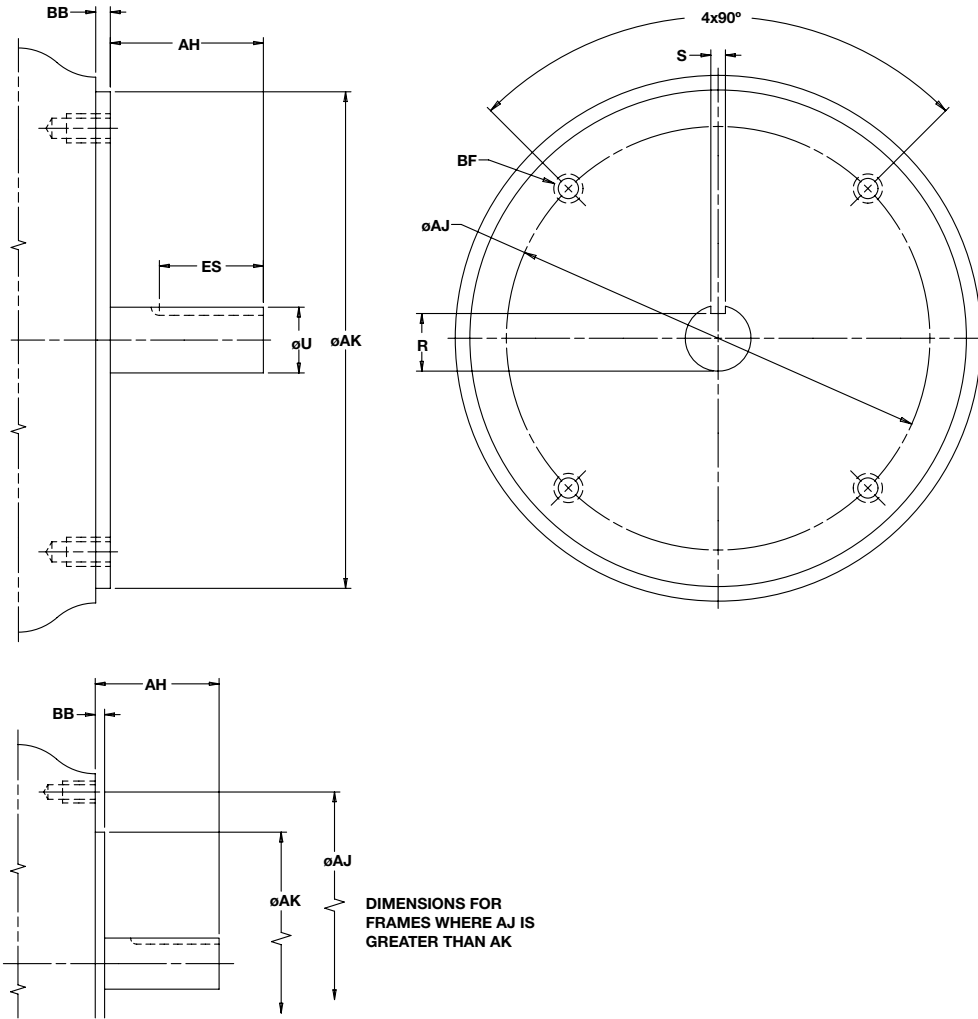


Standard NEMA Frame Dimensions Ordering Information



Specifications

Module Size	NEMA Frame Size	AH	AJ	AK	BB	BF	ES	R	S	U
50	56C/48Y	2.06	5.875	4.500	.16 MAX	3/8-16 UNC	1.41 MIN	0.517	0.188	0.625
100	56C/48Y	2.06	5.875	4.500	.16 MAX	3/8-16 UNC	1.41 MIN	0.517	0.188	0.625
180	143TC/145TC	2.12	5.875	4.500	.16 MAX	3/8-16 UNC	1.41 MIN	0.771	0.188	0.875
210	182TC/184TC	2.62	7.250	8.500	.25 MIN	1/2-13 UNC	1.78 MIN	0.986	0.250	1.125
215	213TC/215TC	3.12	7.250	8.500	.25 MIN	1/2-13 UNC	2.41 MIN	1.201	0.312	1.375

Note: Warner Electric Modules are designed to comply with standard NEMA frame dimensions for mounting. Reference to each particular frame size is given in the individual selection tables for each type of Warner Electric module.