

UM Series Smooth-Start UniModules

Warner Electric Smooth-Start™ UniModules are designed for applications that require a softer than standard engagement. Through the use of LK friction material, the Smooth-Start design provides reduced torque to provide a less aggressive engagement, without suffering a loss of overall life due to the longer slip times.

When used with an adjustable power supply such as the CBC 300 or CBC 500/550, the Smooth-Start designs can provide a soft engagement that can be adjusted to meet specific application needs.



Smooth-Start™ UniModules

Warner Electric's Smooth-Start UniModules are offered in 90 volt configurations as listed below. If you require another voltage, size or mounting configuration, please contact Warner Electric for assistance.

UniModule Size	NEMA Frame	Max. RPM	Static Torque (lb-ft)	Voltage (DC)	Part Number
50	56C/48Y	3600	10	90	5370-273-236
100	56C/48Y	3600	18	90	5370-273-237
180	182C/143TC 184C/145TC	3600	18	90	5370-273-238
210	213C/182TC 215C/184TC	3600	57	90	5371-273-103
215	213TC/215TC	3600	57	90	5371-273-080

CBC-300 Dual Channel Torque Adjust Clutch/Brake Control

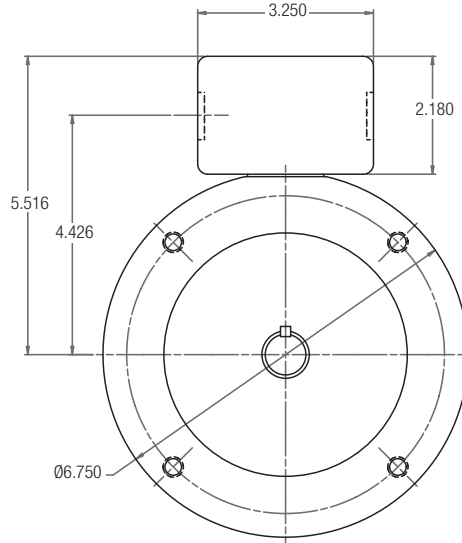
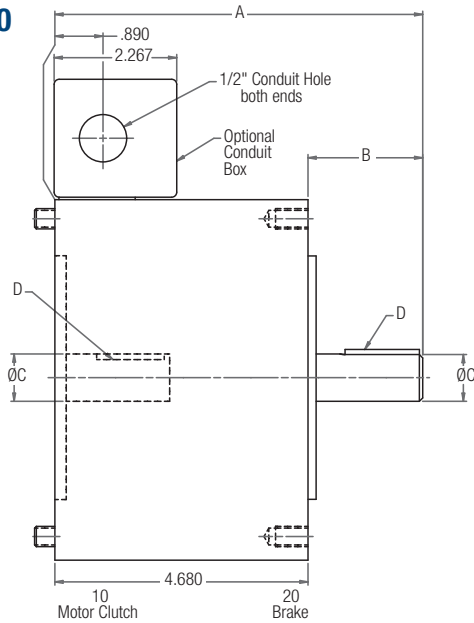
Conveyor applications occasionally require more clutch torque to start the line, and less brake torque to stop the line. With two independently adjustable channels, Warner Electric's CBC-300 allows you to set the torque levels for the clutch and brake independently of each other, so each can be tailored to every application to achieve optimum system performance.

Part Number	6021-448-009
Input Power	120 VAC +10% -15%, 50/60 Hz, single phase, 215 VA max.
Output	Pulse-width modulated full wave rectified D.C. Constant current, switch selectable ranges, 0-90 volt.
Current Adjust	Dual adjustable channels. Adjust via front panel potentiometers.
Other Features	UL listed; short circuit protection, line to line; torque limiting protects machine components from damage.

UM Series Smooth-Start UniModules

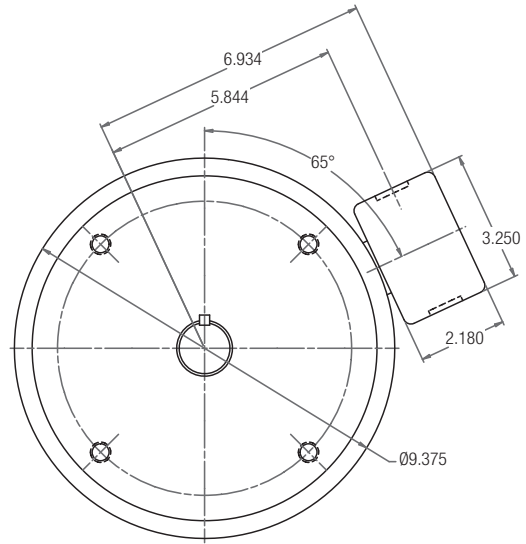
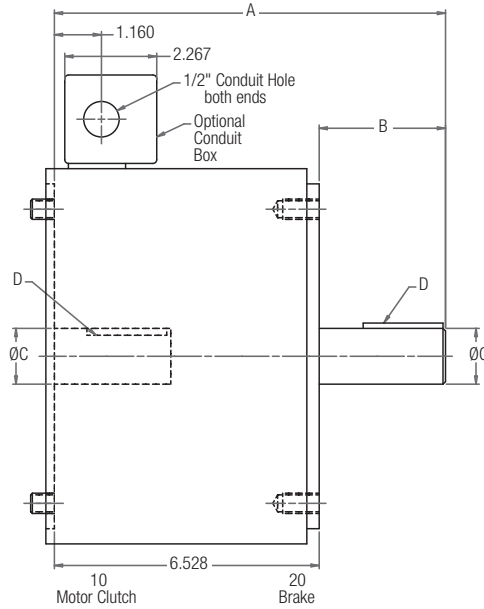
UM-1020 Motor Clutch/Brake Combination

SIZE 50/100/180



Note: Conduit box is optional and is ordered separately.

SIZE 210/215



Dimensions

Size	A	B	C	D
50	6.720	2.040	0.625	3/16 x 3/16
100	6.741	2.061	0.625	3/16 x 3/16
180	6.801	2.121	0.875	3/16 x 3/16
210	9.142	2.614	1.125	1/4 x 1/4
215	9.642	3.114	1.375	5/16 x 5/16

Specifications

For standard NEMA frame dimensions, see page G-3.

Model Size	Voltage DC	Static Torque lb. ft.	Max. RPM	NEMA Frame Size
50	90	10	3600	56C/48Y*
100	90	18	3600	56C/48Y*
180	90	18	3600	182C/143TC 184C/145TC
210	90	57	3600	213C/182TC 215C/184TC
215	90	57	3600	213TC/215TC