

Warner Electric's electronic controls are designed to provide simple setup and maximum performance when used with electric clutches and brakes. Our controls offer a range of functions from on-off to torque control to over-excitation.

Selection

Many parameters beyond function can impact control selection. Warner Electric produces a variety of control options to suit numerous application requirements. Control selection parameters include:

- Mounting Location – Panel or conduit box mounting
- Switching – Relay switching of A.C. or D.C. lines or solid state switching
- Output Voltage – Controls are available for 6, 24 and 90 VDC clutch/brake coils
- Input Voltage – Controls with input power transformers are available for connection to high voltage mains.

If your application requires something special, please call us. We will be happy to provide solutions.

Clutch and Brake Controls CTL-2

On-Off Controls

CBC-100	CTL-4
CBC-150	CTL-4
CBC-160	CTL-5
CBC-801	CTL-6
CBC-802	CTL-7

Adjustable Torque Controls

MCS-103-1	CTL-8
MCS-805-1	CTL-9
MCS-805-2	CTL-9
CBC-300	CTL-10
CBC-500	CTL-12
CBC-550	CTL-14
CBC-1825R	CTL-16

Overexcitation Controls

CBC-700	CTL-18
CBC-750	CTL-20

Appendix CTL-22

Questions & Answers CTL-23

Ordering Information CTL-24



Clutch and Brake Controls

Functions

On-Off (Basic start-stop)

Many applications are controlled by energizing the clutches and brakes with their rated D.C. voltages. Warner Electric controls are available with various mounting, input voltage and switching options.

Adjustable Torque

(Soft start-stop)

The torque transmitted by a clutch or brake is proportional to the coil current. Warner Electric offers several products that provide torque control for smooth and repeatable starts and stops.

Adjustable Accel-Decel

(Soft start-stop with full torque)

Warner Electric offers a control that allows for adjustment of the acceleration and deceleration time ramps to achieve a repeatable soft start or stop while still allowing for full torque.

Overexcitation

(Rapid cycling)

The clutch/brake speed of response can be increased for improved accuracy and performance through overexcitation, which is the application of a short high voltage pulse to provide nearly instantaneous torque.

Control Type

On-Off
Conduit Box
Mount



On-Off
Octal Socket
Mount



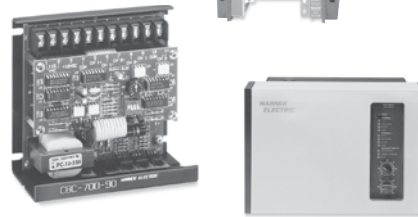
Adjustable
Torque



Adjustable Accel-Decel



Overexcitation



Clutch and Brake Controls

Model Number	No. of Channels	Torque Control Channels	A.C. Input Voltages	D.C. Output Voltages	Over-Excitation	Customer Supplied Switching Options	Description	Page Number
CBC-100-1	1	No	120	90	No	Relay A.C.	Single channel control to mount inside standard conduit box	CTL-4
CBC-100-2	1	No	220/240					
CBC-150-1	2	No	120	90	No	Relay A.C.	Dual channel control for clutch/brake to mount inside module conduit box	CTL-4
CBC-150-2	2	No	220/240					
CBC-160-1	1	1	120	90	No	Relay A.C.	Single channel control with torque adjust for module electrically released brakes	CTL-5
CBC-160-2			220/240					
CBC-801-1	2	No	120	90	No	Relay D.C.	Dual channel control for 2 clutches and/or brakes	CTL-6
CBC-801-2	2		220/240					
CBC-802	2	No	120	90	No	Transistor or Relay D.C.	Dual channel control with transistor switching	CTL-7
MCS-103-1	2	1	120	90	No	Relay D.C.	Dual channel control with torque adjust for one channel	CTL-8
MCS-805-1	1	1	120/240	35-75	No	Relay D.C.	Single adjustable channel control for use with ER-1225 brake.	CTL-9
MCS-805-2								
CBC-300	2	2	120	90	No	Transistor or Relay D.C.	Dual channel adjustable current control	CTL-10 to CTL-11
CBC-300-1								
CBC-500-90	2	2	120	90	No	Transistor or Relay D.C.	Dual channel control for two clutches and/or brakes with two torque adjust channels; Emergency stop input	CTL-12 to CTL-15
CBC-500-24	2	2	24-30	24	No			
CBC-550-90	2	2	120/220/240/380/480	90	No			
CBC-550-24	2	2	120/220/240/380/480	24	No			
CBC-1825-R	2	2	120	90	No	Transistor or Relay D.C.	Dual channel adjustable time ramp with short circuit protection	CTL-16 to CTL-17
CBC-700-90	2	No	120	90	Yes	Transistor or Relay D.C.	Dual channel compact overexcitation control for 24 or 90 volt clutches and brakes	CTL-18 to CTL-19
CBC-700-24	2		24-28	24				
CBC-750-6	2	2	120/220/240	6	Yes	Transistor, Relay D.C. or Triac A.C.	Dual channel full function overexcitation control; provides input/output logic, torque adjustable current and remote inputs	CTL-20 to CTL-21

CBC-100/CBC-150 On-Off Controls

Integral/Conduit Box Mounted Controls

The CBC-100 and CBC-150 series are UL listed, conduit box mounted controls for 90 volt clutches and brakes. Models are available for either 120 VAC or 220/240 VAC input.



CBC-100 series Single unit capacity

The CBC-100 mounts inside a standard Warner Electric conduit box and includes rectification and suppression circuits.

- cULus
- Compact
- Single channel
- Mounts inside conduit box



CBC-150 series Dual channel capacity

The CBC-150 replaces the cover on the standard module conduit box (part no. 5370-101-042). Provides rectification and suppression for two devices. Green LED indicates power to clutch. Red LED indicates power to brake.

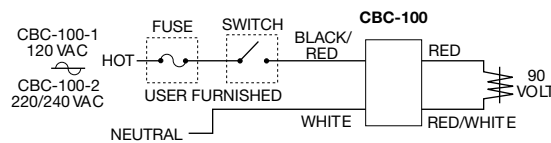
- cULus
- Dual channel
- Replaces the cover on the module conduit box

Specifications

	CBC-100-1	CBC-100-2	CBC-150-1	CBC-150-2
Part No.	6003-448-101	6003-448-103	6004-448-001	6004-448-002
Input	120 VAC 50/60 Hz	220/240 VAC 50/60 Hz	120 VAC 50/60 Hz	220/240 VAC 50/60 Hz
Output	90 VDC full wave rectified .8 Amp max.	90 VDC half wave .8 Amp	90 VDC full wave rectified Dual .8 Amp	90 VDC half wave Dual .8 Amp
Ambient Temperatures	-20° to 113°F (-29° to 45°C)			
Switching	External to control, accomplished on A.C. line using relay or triac.			
	SPST	SPST	SPDT	SPDT
Solid State (maximum leakage current <2 mA)	140 VAC, 1 Amp min.	280 VAC, 1 Amp min.	140 VAC, 2 Amp min.	280 VAC, 2 Amp min.
Electro-mechanical	120 VAC, 1 Amp min.	240 VAC, 1 Amp min.	120 VAC, 1 Amp min.	240 VAC, 1 Amp min.

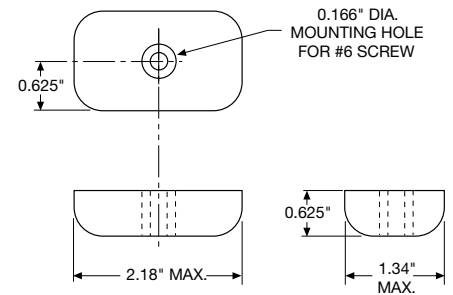
Connection diagrams

CBC-100-1, -2

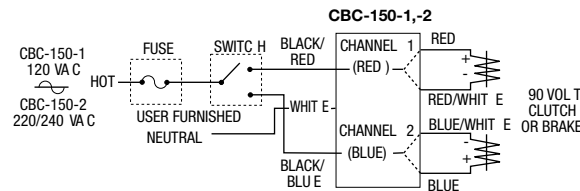


Dimensions

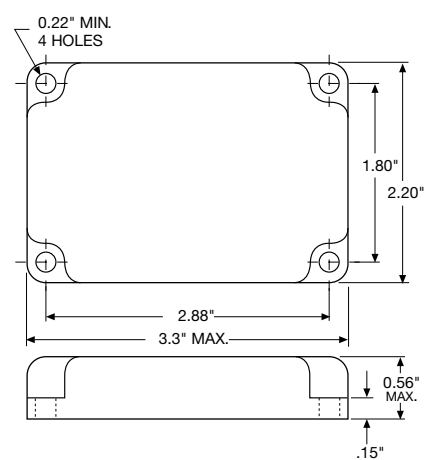
CBC-100-1, -2



CBC-150-1, -2



CBC-150-1, -2



All dimensions nominal unless otherwise specified.

Integral/Electrically Released Motor Brake Controls

CBC-160

The CBC-160 series clutch/brake controls provide a single 90 VDC adjustable output for use with any clutch/brake unit. The adjustable output will provide consistent and repeatable release for Warner Electric's 90 VDC permanent magnet electrically released brakes. The CBC-160 mounts as the cover on the standard module conduit box (part number: 5370-101-042).



CBC-160-1

The 160-1 accommodates 120 volts A.C. motors.

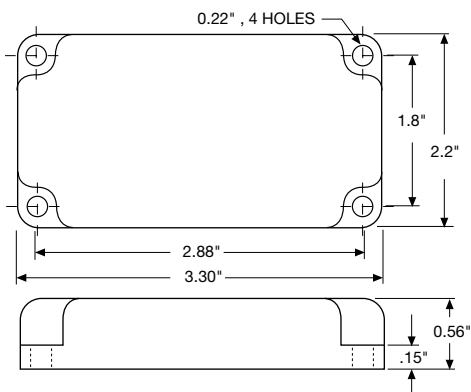
- cULus
- Adjustable 30-100 VDC
- LED indicator
- 120 volt A.C. input

CBC-160-2

The power to the 160-2 control can come from either a 230 volt or 460 volt A.C. motor. Customer-provided switching is accomplished through the motor starter on the A.C. input. This allows convenient retrofit of spring-set style motor brakes and inexpensive installation of new applications.

- cULus
- Adjustable 30-100 VDC
- Power from motor
- Easy retrofit
- 230/460 motors

Dimensions

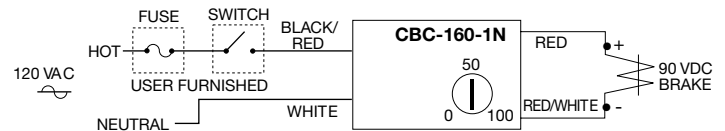


All dimensions nominal unless otherwise specified.

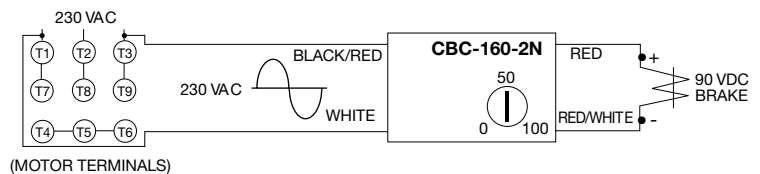
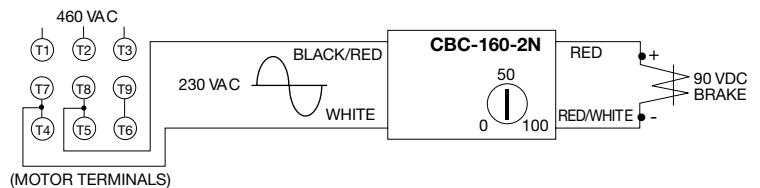
Specifications

	CBC-160-1	CBC-160-2
Part No.	6013-448-001	6013-448-002
Input	120 VAC, 50/60 Hz	220/240 VAC, 60 Hz, 1 Phase, 100 VA max.
Status Indicator	Red LED indicates power to the brake	—
Output	Single Channel, 30-100 VDC half-wave rectified nominal, 0.8 Amps maximum	
Ambient Temperatures	0° to 122°F (-18° to 50°C)	
Switching	Accomplished through motor starter or on A.C. line using relay or triac	

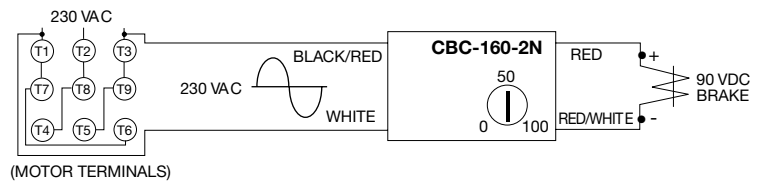
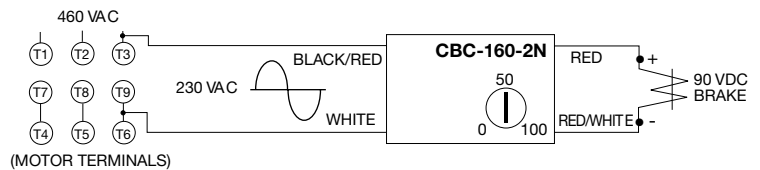
Connection Diagrams



WYE Connected Motor



DELTA Connected Motor



CBC-801 On-Off Controls

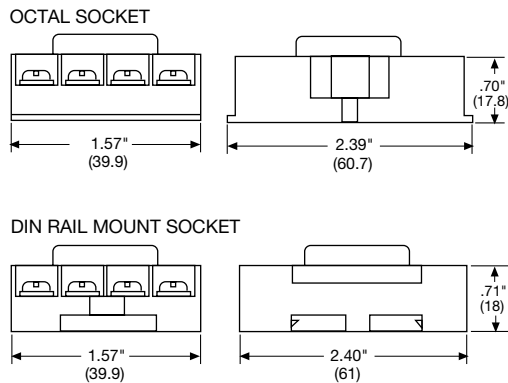
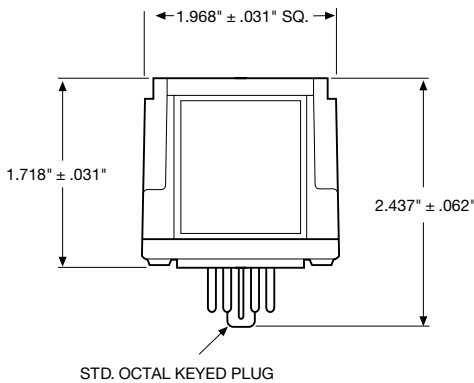
Plug-in Octal Socket Power Supplies

The CBC-801 is a basic on-off power supply that provides full voltage to a 90 volt clutch or brake and is activated by an external switch. This type of power supply is sufficient for many clutch/brake applications.

CBC-801 series Multi-unit capacity

The CBC-801 is a plug-in power supply which is used with an octal socket. The wiring connections are made at the socket. The CBC-801 will operate two units separately—or simultaneously. Octal socket is purchased separately.

Dimensions



All dimensions nominal unless otherwise specified.

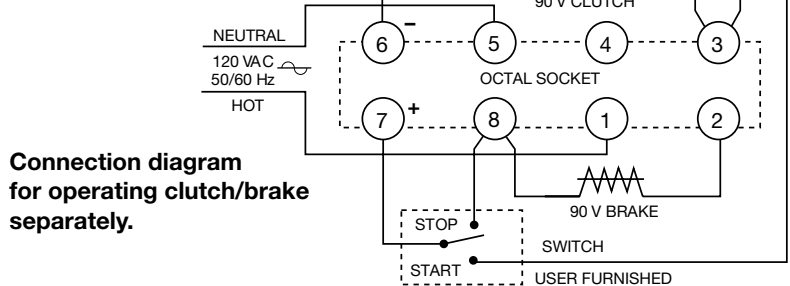
- US
- For basic on-off operation
- Wiring connections made at octal socket
- Arc suppression circuitry extends switch life
- Fused for overload protection
- LED output indicators
- DIN rail mountable



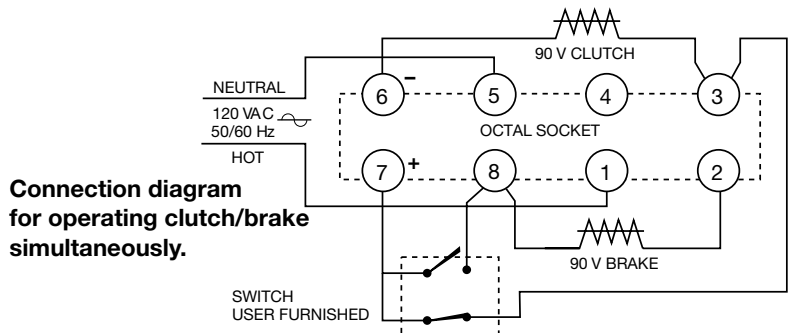
Specifications

	CBC-801-1	CBC-801-2
Part No.	6001-448-004	6001-448-006
Input Voltage	120 VAC, 50/60 Hz	220/240 VAC, 50/60 Hz
Output	90 VDC, 1.25 A max.	
Circuit Protection	Fused 1.6 Amp, 250 V fast-blo	
Ambient Temperature	-23° to 116°F (-31° to 47°C)	
Max. Cycle Rate	Limited by the clutch or brake, variable with application	
Switching	Single pole, double throw Minimum contact rating: 10 Amp, 28 VDC resistive or 10 Amp, 120 VAC inductive	
Status Indicator	Red LED indicates brake is energized, Green LED indicates clutch is energized	
Mounting	Two versions of octal socket are available: 6001-101-001 foot mount 6001-101-002 DIN rail mount	

Connection Diagrams



Connection diagram for operating clutch/brake separately.



Connection diagram for operating clutch/brake simultaneously.

CBC-802 On-Off Controls

Plug-in Octal Socket Power Supplies

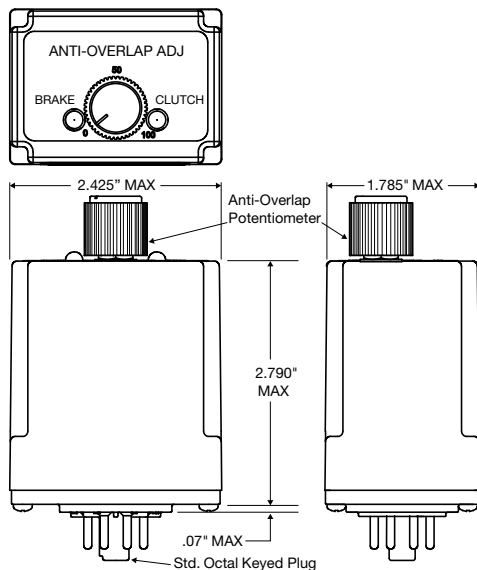


CBC-802 PLC compatible

The CBC-802 is a power supply with solid state circuits for load switching. A brake and clutch may be operated separately — or, two brakes or two clutches, one unit on at a time. The CBC-802 mounts on an octal socket (purchased separately), and the wiring connections are made at the socket terminals. Octal socket sold separately, refer to mounting specifications for part number.

- Plug-in power supply with solid state switching circuits—increases switch service life
- Adjustable time delay for controlling clutch/brake overlap
- Internally fused for overload protection
- DIN rail mountable
- LED output indicators

Dimensions

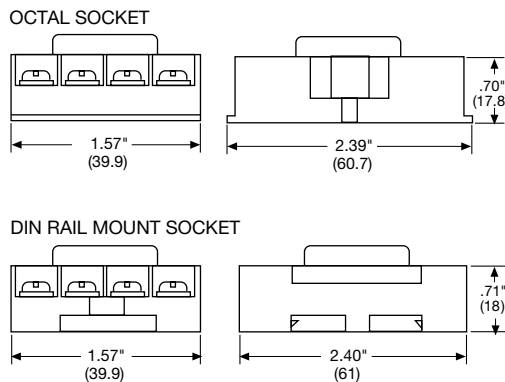
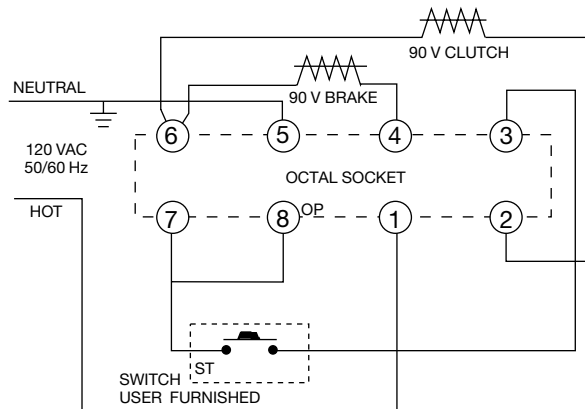


All dimensions nominal unless otherwise specified.

Specifications

CBC-802	
Part No.	6002-448-002
Input	120 VAC, 50/60 Hz
Output	90 VDC, 0.5 A max.
Status Indicator	Red LED indicates brake energized. Green LED indicates clutch energized.
Circuit Protection	Fused 0.5 Amps, 250 V
Ambient Temperature	-20° to 113°F (-29° to 45°C)
Leakage Current	500 uA max. for solid state switches
Max. Cycle Rate	Limited by the clutch or brake, variable with application
Switching	Momentary contact, maintained contact, or solid state open collector logic Minimum contact rating 20 VDC resistive, 0.01 Amps Minimum input pulse—1 millisecond
Adjustments	Externally adjusted potentiometer sets overlap between clutch and brake from 0 to 130 MS.
Mounting:	Two versions of octal socket are available: 6001-101-001 foot mount 6001-101-002 DIN rail mount


Connection Diagram



MCS-103-1 Adjustable Torque Controls

Adjustable Torque Control

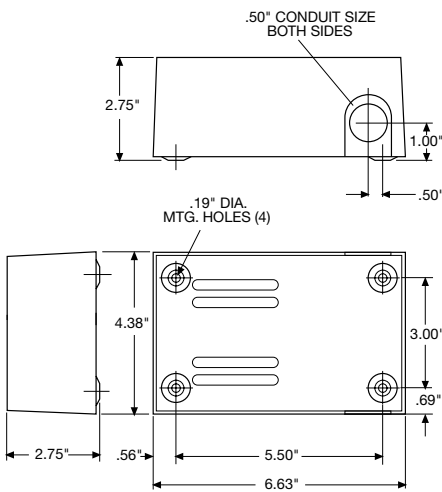
The MCS-103-1 is an enclosed control complete with a cover and mounting provisions. A brake and clutch may be operated separately with this control – or up to four units, two at a time. The external wiring is connected to the terminal strip located behind the cover.

-  **UL US**
- Can be used with electrically released brakes

- Torque control for one 90 VDC clutch or brake
- Operates up to four units, two on at a time
- Easy-to-install. Compact. 120 VAC input
- Convenient terminal strip behind an easy-to-remove cover



Dimensions

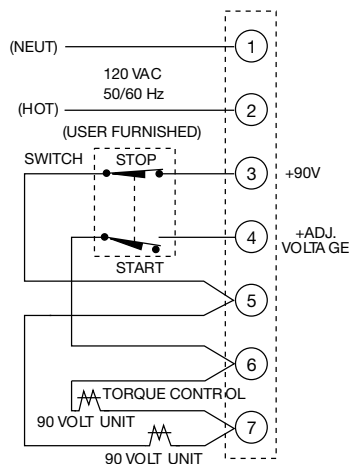


All dimensions nominal unless otherwise specified.

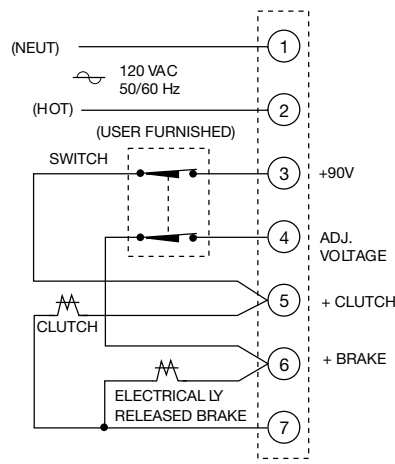
Specifications

MCS-103-1	
Part No.	6010-448-002
Input	120 VAC, 50/60 Hz
Output	1.25 Amp 90 V full wave rectified for one unit and adjustable from 0-90 volts full wave rectified for second unit
Circuit Protection	Fused 1.5 Amp, 250 V
Ambient Temperature	-20° to 113°F (-29° to 45°C)
Maximum Cycle Rate	Limited by the clutch or brake and will vary with application.
Mounting	Mounting centers 5-1/2" wide, 3" high. Knockouts for 1/2" conduit
External Switches (User furnished)	Double pole, double throw maintained contact. Minimum contact rating: 10 Amp, 28 VDC resistive or 10 Amp, 120 VAC inductive. Contact ratings given will operate all Warner Electric brake and clutch units. However, switches with ratings less than those given may be used with fractional horsepower units provided the rating is equal to or greater than the coil current.

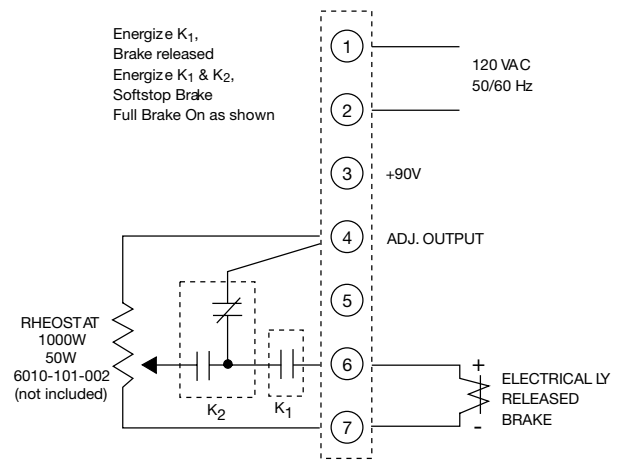
Connection Diagrams



Normal Clutch/Brake Operation
(One unit on at a time)



Clutch/Electrically Released
Brake Operation
(Both units on at a time)



Soft Stop for
Electrically Released Brake

MCS-805-1/MCS-805-2 Power Supply

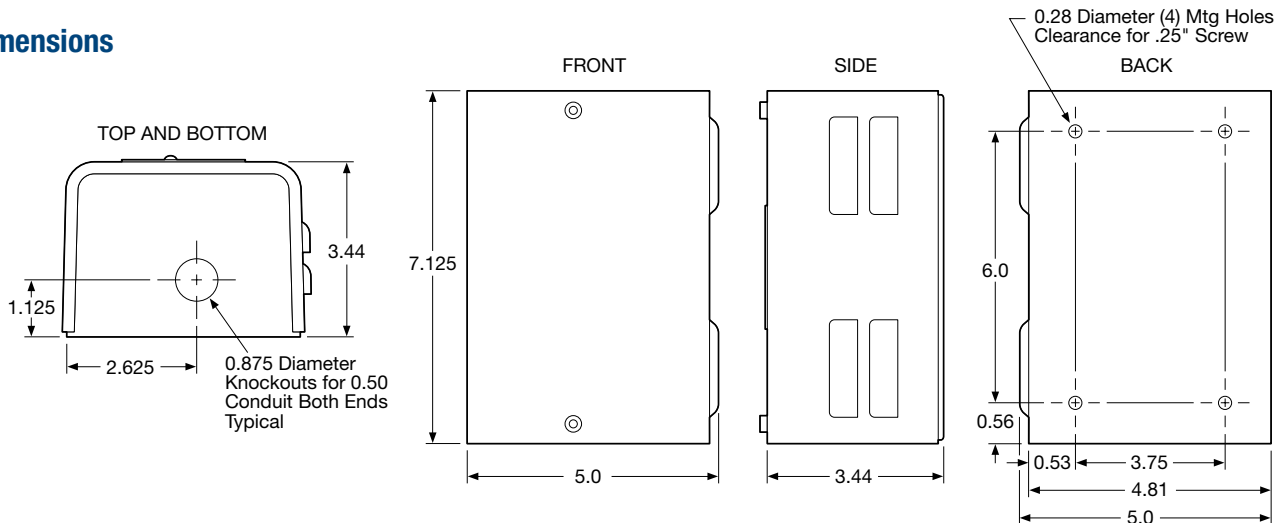
The DC voltage required to release the Warner Electric ER-1225 Brake is supplied by the MCS-805-1 or MCS-805-2 Power Supply. The correct brake release voltage—approximately 35-75 volts DC—is set by adjusting the power supply at the time of brake installation. Temperature compensating circuits provide proper operation over the entire operating range of 0°F to 150°F. Switching may be provided on either the AC or DC side of the power supply. The MCS-805-1 may be mounted on its back panel or on 1/2" conduit. The MCS-805-2 has a torque adjustment capability for soft stop applications. The MCS-805-2 requires two switching circuits when used for those applications requiring soft engagement.



Specifications

	MCS-805-1	MCS-805-2
Part No.	6090-448-006	6090-448-007
Input	115/230 VAC, 50/60 Hz ±10%	115/230 VAC, 50/60 Hz ±10%
Output	0.4 Amp, 35/75 VDC	0.4 Amp, 35/75 VDC
Ambient Temperature	-20° to 150°F (-29° to 65°C)	-20° to 150°F (-29° to 65°C)
Maximum Cycle Rate	Limited by the clutch or brake and will vary with application. Consult factory for specifics.	
External Switches (User furnished)	For DC switching: single pole, single throw. Minimum contact rating 1 amp, 120 volts DC resistive. For AC switching: single pole, single throw. Minimum contact rating 1 amp, 120 volts AC.	
Circuit Protection	.75 Amp 250V Slow Blow 3 AG	

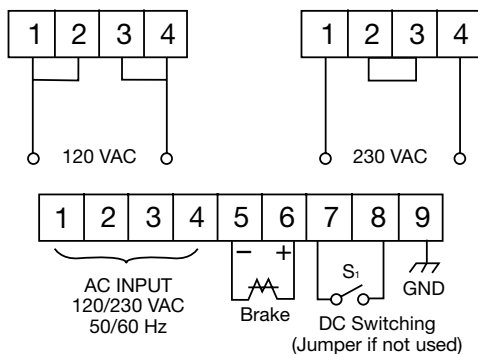
Dimensions



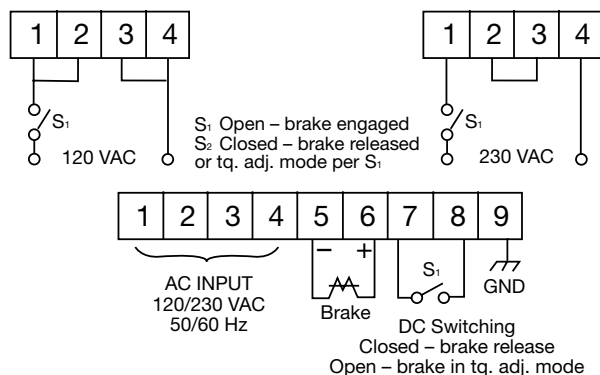
Connection Diagrams

Connect the MCS-805-1 or MCS-805-2 Power Supply per the following diagram and instructions:

MCS 805-1




MCS 805-2



For AC switching, switch may be in series with input supply. For DC switching, use terminals 7 and 8 as shown. DO NOT put switch in series with load on terminals 5 and 6.

CBC-300 Adjustable Torque Controls

The CBC-300 Series Controls provide dual torque controls when connected to any of Warner Electric's 90 volt clutches and brakes.

-  US
- Current monitored output maintains consistent torque regardless of variation in coil temperature.
- Switch selection tunes control to exactly match current requirements and operating characteristics of each clutch or brake.
- Individual torque adjust allows preset maximum torque tailored to application requirements.
- Short circuit protection, line to line.
- Torque limiting protects machine components from damage.
- Can be used with electrically released brakes.
- Internally Fuse Protected



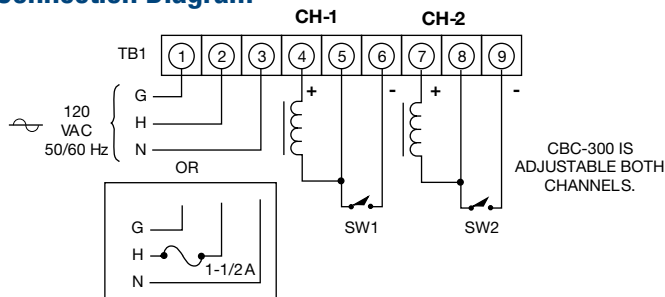
CBC-300 Series Dual channel/Dual channel torque adjust

The CBC-300 has two adjustable current channels.

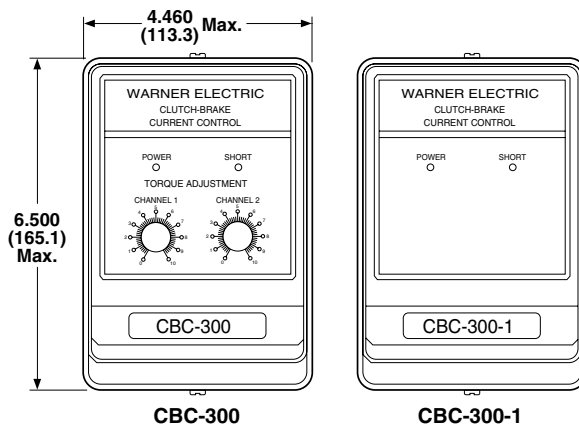
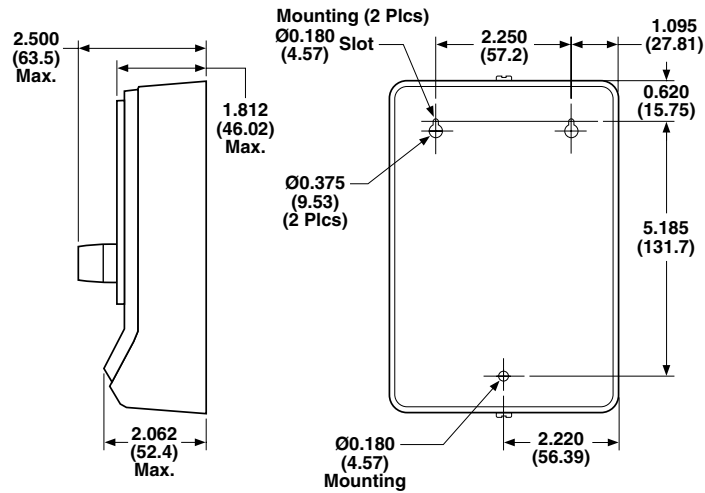
Specifications

CBC-300													
Part No.	6021-448-009												
Input Power	120 VAC +10% -15%, 50/60 Hz, single phase, 215 VA max.												
Output	Pulse-width modulated full wave rectified D.C. Constant current, switch selectable ranges, 0-90 volt												
Ambient Temperature	+32°F to +113°F (0°C to 45°C) with plastic cover installed +32°F to +150°F (0°C to 66°C) with plastic cover removed												
Circuit Protection	Internal line to line short circuit protection Optional customer supplied fusing on A.C. line, 1.5 Amps, 250 VAC. Fast-acting fuse internal 300 (recommended 300-1)												
Current Adjust (via front panel potentiometers)	Dual adjustable channels												
Status indicators	"POWER"—green LED indicates A.C. power is applied to the control. "SHORT"—red LED indicates a short circuit condition exists on one or both outputs.												
Internal Adjustments	Set DIP switches SW1 and SW2 to suit the current draw of the connected clutch/brake coil: <table border="1"> <thead> <tr> <th>Switch Range</th> <th>1</th> <th>2</th> <th>3</th> <th>4</th> <th>5</th> </tr> </thead> <tbody> <tr> <td>Max Current Draw (mA)</td> <td>60</td> <td>175</td> <td>245</td> <td>305</td> <td>533</td> </tr> </tbody> </table>	Switch Range	1	2	3	4	5	Max Current Draw (mA)	60	175	245	305	533
Switch Range	1	2	3	4	5								
Max Current Draw (mA)	60	175	245	305	533								
External Switching	Mechanical or electromechanical—customer supplied: 1 Amp, 125 V minimum rating Solid-state, NPN isolated transistor—customer supplied: 2 Amp, J250 V minimum rating. Maximum off state leakage current <1 mA												

Connection Diagram



CBC-300 Adjustable Torque Controls



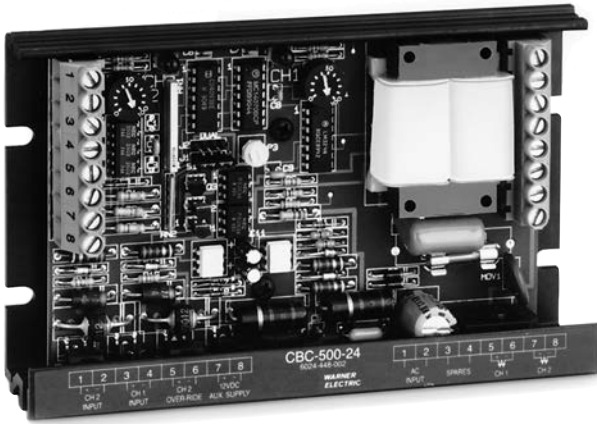
Pots for remote current adjustment: 6011-101-001 single turn
6011-101-002 ten turn

Selection Guide

	CBC 300	CBC 300-1
NEMA 1 Enclosure	6021-448-009	6021-448-002
	Both channels adjustable	Both channels adjustable
	Adjustable by knobs on unit	Adjustable by remote pots
	Max. output at 100%	Max. output at 100%

CBC-500 Adjustable Torque Controls

Panel Mounted



Specifications

	CBC-500-90	CBC-500-24
Part No.	6024-448-003	6024-448-002
Input Voltage	120 VAC	24-30 VAC or VDC
Output Voltage	0-90 VDC	0-24 VDC
Output Current	1 Amp/Channel 2 Amps Total	5 Amps/Channel 5 Amps Total
Auxiliary Supply	12 VDC 250 mA	12 VDC 250 mA
Circuit Protection	Fused 2.5 Amp, 250 V Fast-blo	Fused 6.3 Amp, 250 V Fast-blo
Ambient Temperature	+32° to 122°F (0° to 50°C)	
Status Indicators	Red LED indicates channel is energized.	
Adjustments	Two potentiometers for voltage adjustment of channel 1 and channel 2 output from 0 to full rated voltage. Frequency adjustment from 60 to 400 Hz to reduce clutch/brake "Hum" associated with machine frequencies. Jumper for single or dual operation. See Appendix for explanation.	
Inputs:	3 Optically coupled, 10-30 VDC, 3-9 mA for Channel 1, Channel 2 and Channel 2 override (applies full voltage to channel 1 output)	

CBC-500 series Dual torque adjustable power supplies

The CBC-500 series is a dual channel adjustable voltage control with optically isolated input switching for 24 and 90 volt electric clutches and brakes. These controls can be set up to energize the two outputs alternately (single) or simultaneously (dual). Refer to the Appendix for additional setup and switching information.

- Dual adjustable channels
- Optically isolated input switching
- Single or dual channel operation
- Auxiliary 12V supply
- Can be used with electrically released brakes

Enclosure (Optional)

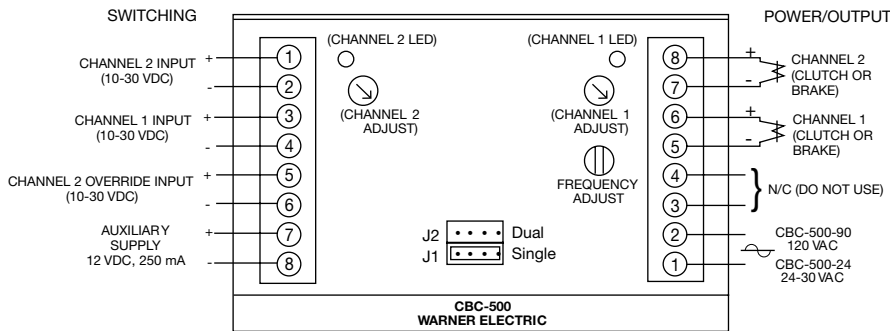


- Lift off hinge
- Quick-release latches
- Conforms to NEMA Type 13
- European Standard IEC 529, IP65

CBC-500 Adjustable Torque Controls

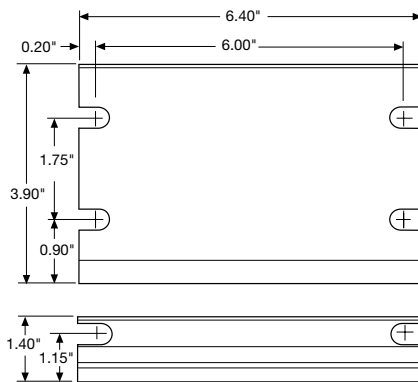
Panel Mounted

Connection Diagram



All dimensions nominal unless otherwise specified.

Dimensions



Part No. 6042-101-004

Size 8"H x 6"W x 4"D
(203.2 x 152.4 x 101.6 mm)

CBC-550 Adjustable Torque Controls

Panel Mounted

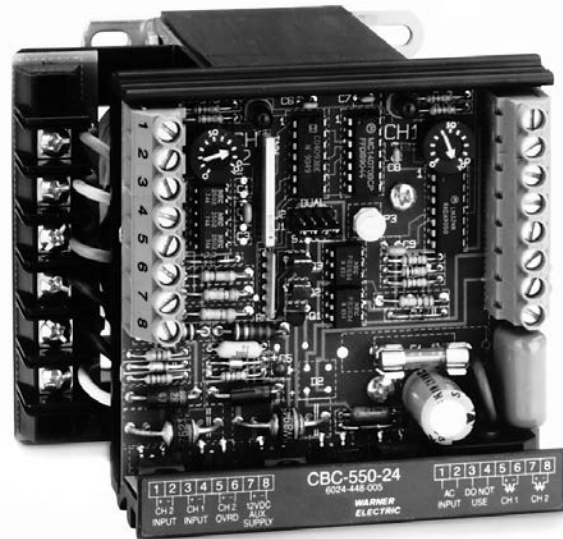
CBC-550 series

Dual adjustable with power transformer

The CBC-550 series is a dual channel adjustable voltage control with optically coupled switching for 24 and 90 volt electric clutches and brakes. These controls can be set up to energize the two outputs alter-nately (single) or simultaneously (dual). Refer to the Appendix for additional setup and switching information.

The CBC-550 series has a power transformer which will operate with a 120, 220, 240, 380, or 480 VAC input.

- Dual adjustable channels
- Optically isolated input switching
- Single or dual channel operation
- Can be used with electrically released brakes



Specifications

	CBC-550-90	CBC-550-24
Part No.	6024-448-006	6024-448-005
Input Voltage	120/220/240/380/480 VAC	
Output Voltage	0-90 VDC	0-24 VDC
Output Current	1 Amp/Channel 1.2 Amps Total	4 Amps/Channel 4 Amps Total
Auxiliary Supply	12 VDC 250 mA	12 VDC 250 mA
Circuit Protection	Fused 1.5 Amp, 250 V fast-blo	Fused 5 Amp, 250 V fast-blo
Ambient Temperature	+32° to 122°F (0° to 50°C)	
Status Indicators	Red LED indicates channel is energized.	
Adjustments	Two potentiometers for voltage adjustment of channel 1 and channel 2 output from 0 to full rated voltage. Frequency adjustment from 60 to 400 Hz to reduce clutch/brake "Hum" associated with machine frequencies. Jumper for single or dual operation. See Appendix for explanation.	
Inputs	3 Optically coupled, 10-30 VDC, 3-9 mA for Channel 1, Channel 2 and Channel 2 override (applies full voltage to channel 1 output)	

Enclosure (Optional)



- Lift off hinge
- Quick-release latches
- Conforms to NEMA Type 13
- European Standard IEC 529, IP65

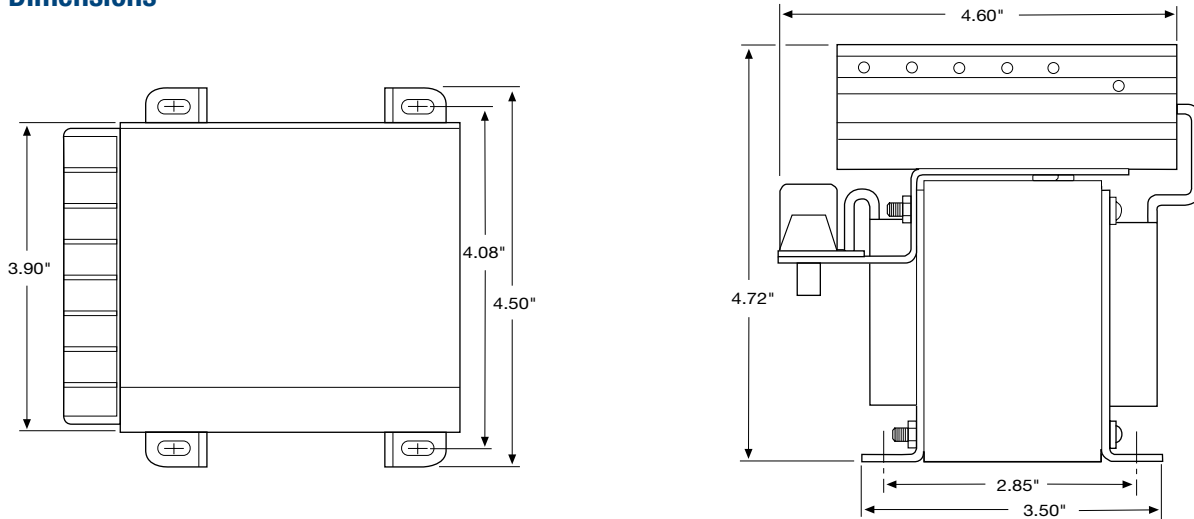
Part No. 6006-101-007

Size 6"H x 6"W x 6"D
(152.4 x 152.4 x 152.4 mm)

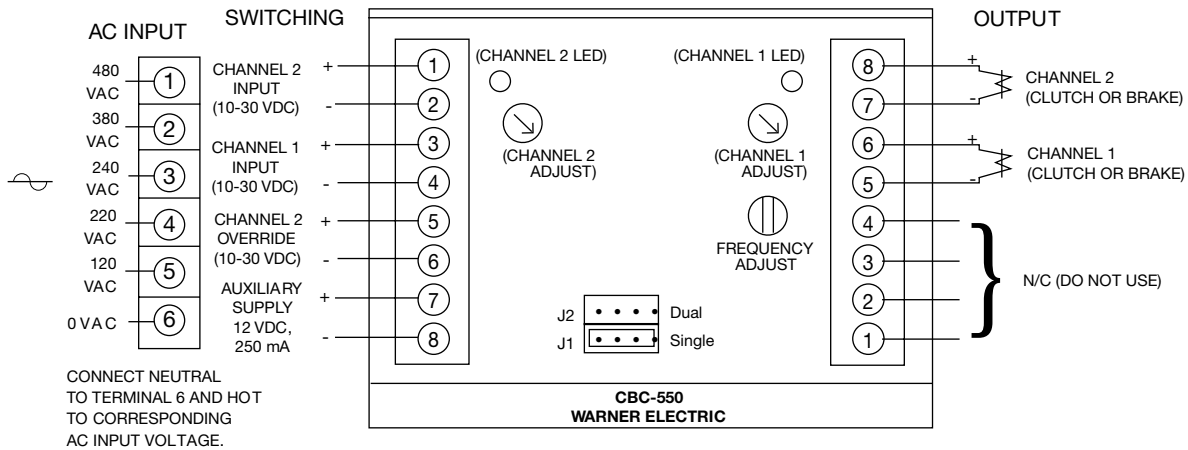
CBC-550 Adjustable Torque Controls

Panel Mounted

Dimensions



Connection Diagram



All dimensions nominal unless otherwise specified.

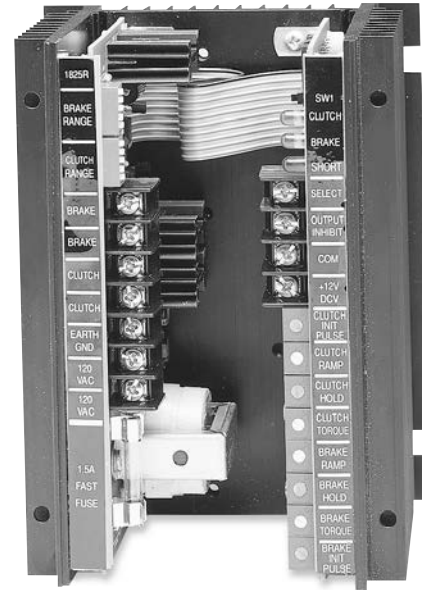
CBC-1825R Adjustable Torque Controls

Panel Mounted

CBC-1825R series

The CBC-1825R is designed to provide consistent and repeatable acceleration and deceleration when used with Warner Electric 90 VDC clutches and brakes. Current to each channel is introduced along an adjustable time ramp and monitored continuously. Adjustments include initial pull-in pulse, hold level, maximum torque, and ramp time. LEDs are provided on the circuit board to indicate power is applied to the clutch or brake unit.

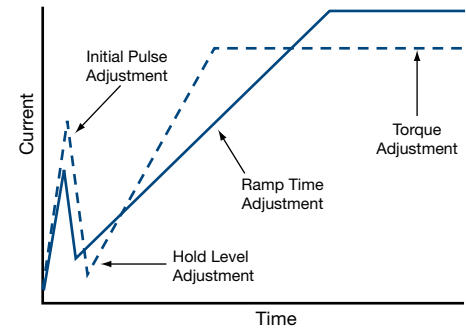
Note: It is recommended that the auto-gap springs be removed from the clutch and brake for successful accel-decel application.



Specifications

CBC-1825R	
Part No.	1825-448-001
Input Voltage	120 VAC, 50/60 Hz, 100 VA maximum
Output Current	Current driven PWM, compatible with 90 VDC clutch/brake (switch selectable current output)
Auxiliary Supply	12 VDC 250 mA
Circuit Protection	Input Fused 1.5 Amp, 250 V fast-blo clutch and brake outputs are short circuit protected
Status Indicators	Clutch and brake LEDs indicate output is energized Short circuit LED indicates a fault
Ambient Temperature	0° to 122°F (-18° to 50°C)
Switching	Contact rating: 15 mA @ 15 V, open collector NPN 2mA maximum allowable leakage current and 2 V maximum saturation voltage

Set-up

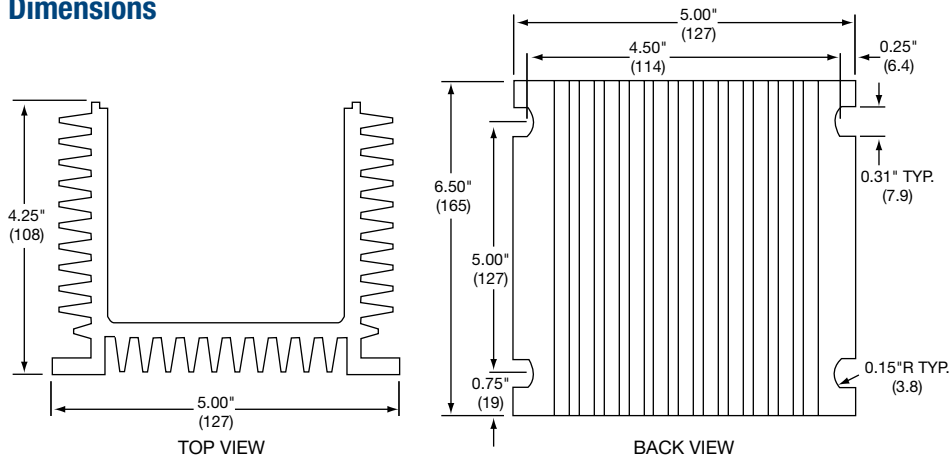


All dimensions nominal unless otherwise specified.

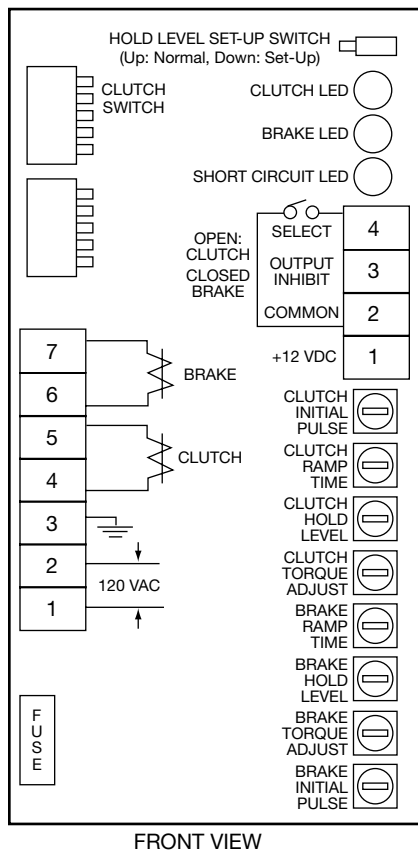
CBC-1825R Adjustable Torque Controls

Panel Mounted

Dimensions



Connection Diagram



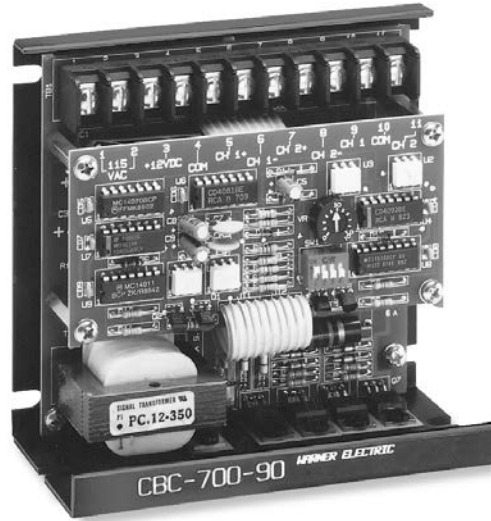
CBC-700 Overexcitation Controls

General Purpose OEX Control

CBC-700 Series

Simple, compact, high performance OEX control for either 90 or 24 VDC clutches and brakes. OEX spike duration and anti-overlap times delay are adjustable. Two optically isolated inputs.

- High performance
- Switch selectable OEX duration
- Force decay suppression with adjustable anti-overlap time delay
- Compact, flexible mounting
- Models for 24 or 90 volt clutches and brakes
- Cycle rate limited by clutch/brake



Specifications

	CBC-700-90	CBC-700-24
Part No.	6042-448-003	6042-448-002
Input	120 VAC, 50/60 Hz	24-28 VAC, 50/60 Hz
Output Voltages		
Steady State	90 VDC	24 VDC
Overexcitation	340 VDC	105 VDC
Output Current (Per channel alternately)	.5 Amps	3.5 Amps
OEX Pulse Duration	Adjustable through logic board dip switches (see service manual)	
Inputs	Two-optically isolated (10-30 VDC)	
Ambient Temperature Range	0°F to 140°F (-18°C to +60°C)	
Maximum Off State Leakage	<2 mA (inputs)	
Circuit Protection	1.6A Fast Act (5 x 20 mm)	5A Slo-Blo (5 x 20 mm)
Auxiliary Supply	12 VDC, 250 mA maximum	

Enclosure (Optional)



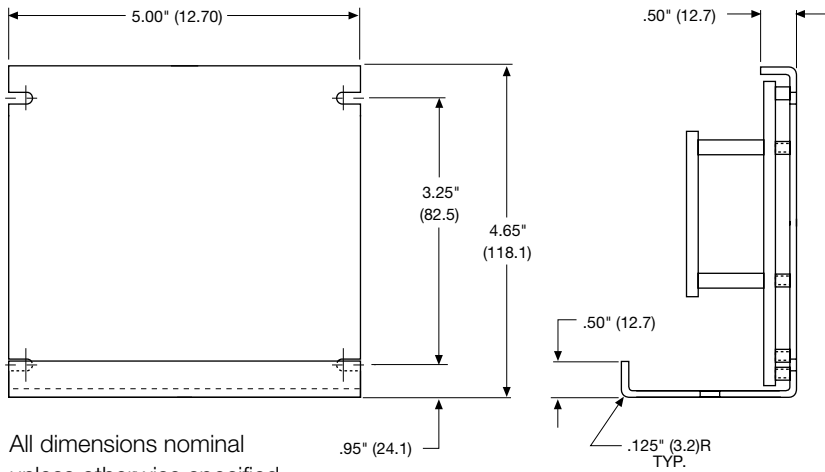
- Lift off hinge
- Quick-release latches
- Conforms to NEMA Type 13
- European Standard IEC 529, IP65

Part No.	6042-101-004
Size	8"H x 6"W x 4"D (203.2 x 152.4 x 101.6 mm)

CBC-700 Overexcitation Controls

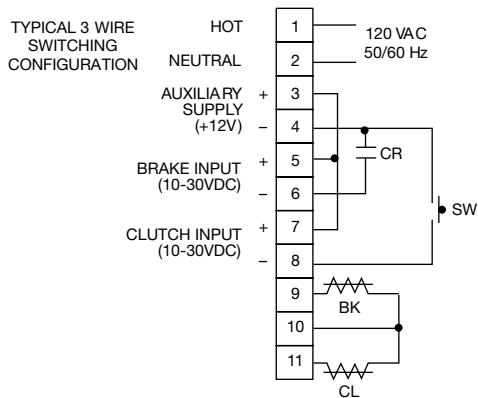
General Purpose OEX Control

Dimensions



All dimensions nominal unless otherwise specified.

Connection Diagram



NOTE: CR, SW user furnished switch options for use with control.
CR normally open relay contact
SW normally open push button switch

CBC-750 Overexcitation Control

Rapid Acceleration/Deceleration

CBC-750 Dual channel, current based OEX with switching logic

Warner Electric's CBC-750 Constant Current Overexcitation Clutch/Brake Control is a solid-state electronic control designed to increase the cycle rate capabilities and accuracies of electromagnetic clutches and brakes. The control accomplish this by sending a momentary high voltage overexcitation spike to the clutch and/or brake magnetic coil to build a high density magnetic flux field almost instantaneously. By using overexcitation, the response time is reduced as dramatically as performance is increased. For example, the current build up time of a 5 inch, 6 volt magnet is reduced from 84 milliseconds to 2 milliseconds.

The CBC-750 user selects either 120, 220 or 240 VAC operation at the time of installation, and is available for 6 volt clutches and brakes.

LED indicators on the faceplate of each control tell the user the status of input signals, output activation and any auxiliary inputs. A reset switch resets the output should a short be detected. Remote torque adjust potentiometer inputs are also provided. Appropriate current range for each size clutch or brake is selected by a dip switch. Constant current for each level is assured by the control's design.

- Maintains torque at preset levels regardless of temperature variations
- Automatically controls OEX pulse duration for optimum response without overheating coils
- Automatically prevents clutch and brake "overlap"
- Configurable as an analog follower control through remote top input
- Integral switching logic through auxiliary, inhibit and override inputs



Shown with optional cover, part number 6041-101-004

- High performance OEX control
- Constant current output capability
- Available for 6 volt clutches and brakes
- Outputs short circuit protected.
- AC/DC optically isolated inputs
- Transformer isolation Remote torque potentiometer capability
- Input/Output inhibit functions
- Switch selectable OEX function
- Automatic CH1/CH2 anti-overlap feature
- Heavy duty suppression circuits
- Selectable output current ranges
- Remote status indicators inputs and outputs

Specifications

CBC-750-6	
Part No.	6041-448-001
Input Power	120/220/240 VAC, $\pm 10\%$, 50/60 Hz, 350 VA (switch selectable)
Control Inputs	Opto-isolated 10-30 VDC @ 10-35 mA nominal sinking or sourcing, or 24 VAC (50/60Hz) @ 22 mA nominal, or 120 VAC (50/60 Hz) @ 20 mA nominal
Clutch/brake Output	
Steady State Output	
Current controlled	.910 to 4.34 A max.
Current Rise Time	Dependent on clutch/brake size
Current Fall Time	Depending on clutch/brake size
Overexcitation Voltage	75 VDC nom.
Overexcitation Time	Automatic adjustment by control feedback
Anti-overlap Time	Automatic adjustment by control feedback
Power Supply Output	12 VDC, ± 0.6 VDC, 250 mA max.
Auxiliary Indicator	Opto-isolated NPN transistors
Outputs	24 VDC maximum, 20 mA max., reverse polarity protected
Circuit Protection	Internal short circuit protection on each output channel.
Fusing	
AC Input Line	2 Amp, 250 V Slo-Blo
OEX Supply	10 Amp, 32 V Slo-Blo

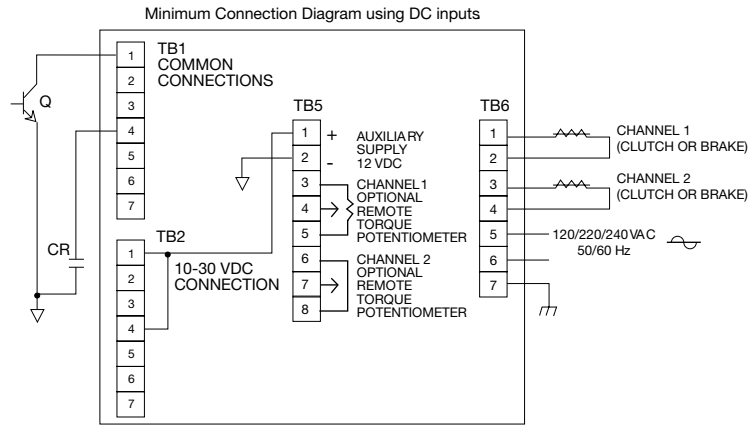
CBC-750 Overexcitation Controls

Rapid Acceleration/Deceleration

Seven optically isolated inputs accept 10-30V A.C./D.C. (TB2) or 120 VAC (TB3), configured through set-up switches

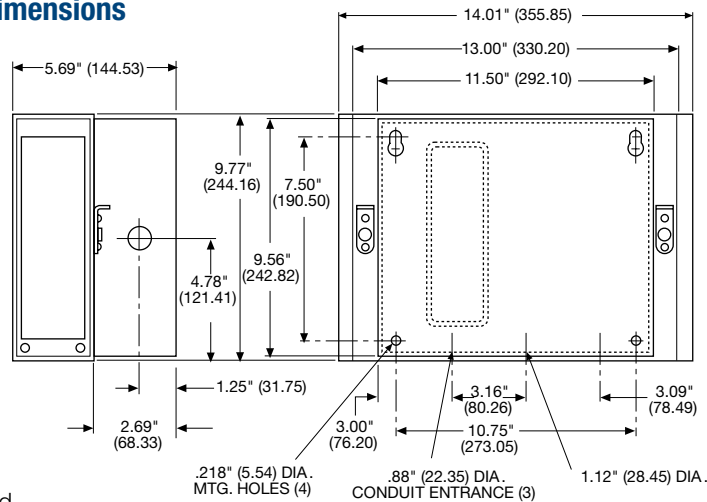
1. Channel 2 Input
2. Channel 2 Input Inhibit (disregards channel 2 input signal)
3. Auxiliary Input
4. Channel 1 Input
5. Channel 1 Input Inhibit (disregards channel 1 input signal)
6. Output Inhibit (deactivates both output channels)
7. Channel 2 Override (applies full voltage to channel 1 output)

Connection Diagram



NOTE: Q, CR user furnished switch options for use with control.
 Q NPN transistor
 CR normally open relay contact

Dimensions



All dimensions nominal unless otherwise specified.

Setup Switches

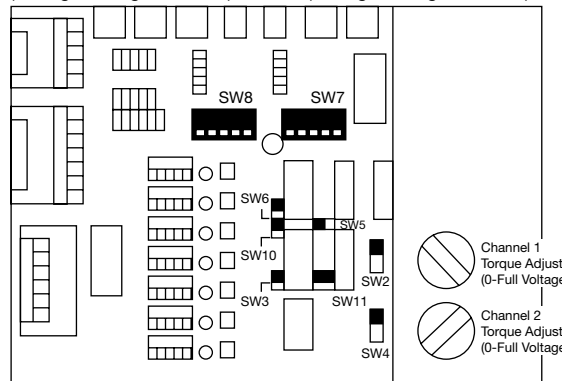
SW1: AC Voltage selection switch on terminal board inside control unit

Max. Current Output

(SW7 & SW8 settings)

Nominal Voltage	1	2	3	4	5
6	0.910	2.35	3.183	3.760	4.340

SW8 Channel 2 current range selector (settings in diagram below)
SW7 Channel 1 current range selector (settings in diagram below)



All switches are in the down (v) position from factory

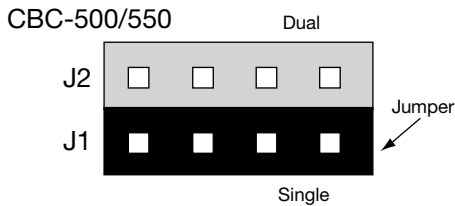
- SW6** Channel 2 OEX enable (v) / disable (v)
- SW5** Channel 1 OEX enable (v) / disable (v)
- SW2** Channel 1 local (v) or remote (v) torque adjust
- SW3** Channel 1 Torque Adjust (0-Full Voltage) level (v) / pulse (v)
- SW4** Channel 2 local (v) or remote (v) torque adjust
- SW10** Channel 1 input invert (v) / (v)
- SW11** Auxiliary input selector Channel 1 (v) / Channel 2 (v)

Appendix

CBC-500/550 Single vs. Dual Operation

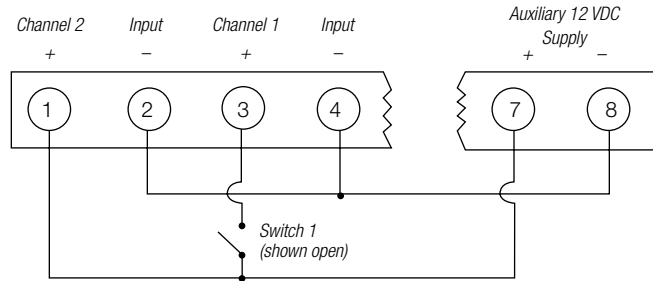
The CBC-500/550 series controls allow operation in either a single or dual mode. The mode of operation is determined via the position of a jumper on the main control board.

The controls are shipped with the jumper in the J1 or single mode position. A variety of output logic can be accomplished via the single/dual jumper position and whether the control is wired to one input switching device (2-wire mode) or two input switching devices (3-wire mode). The following diagrams show how each channel (output) of the control can be either alternately or simultaneously energized.



2-wire Switching Option

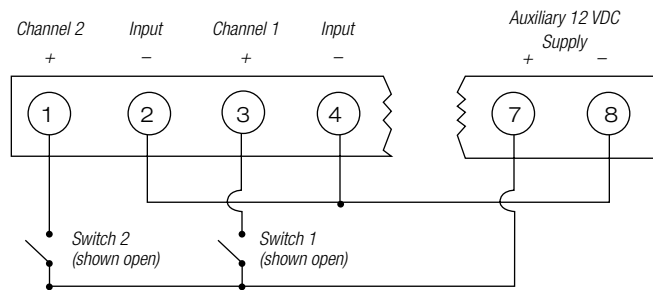
Control's switching terminal block



Jumper Mode	Switch 1	Channel 1	Channel 2
J1-Single	Open	Off	Powered
	Closed	Powered	Off
J2-Dual	Open	Powered	Powered
	Closed	Off	Off

3-wire Switching Option

Control's switching terminal block



Jumper Mode	Switch 1	Switch 2	Channel 1	Channel 2
J1-Single	Closed	Open	Latched On	Off
	Open	Closed	Off	Latched On
J2-Dual	Closed	Open	Off	Off
	Open	Closed	Latched On	Latched On

1. What transformers can be used with controls requiring 24-30 VAC input?

Manufacturer	Part Number	Primary	Secondary
Abbott	6B 12-160	115 VAC	24V @ 6 amps
Quality	6-K-119VBR	115/230 VAC	24V @ 8 amps
Signal	24-6	115 VAC	24V @ 6 amps
Signal	DP24-6	115/230 VAC	24V @ 6 amps
Triad	F-260-U	115 VAC	24V @ 6 amps

2. What is the difference between a MCS-801 and a CBC-801-1 or between a MCS-103 and a MCS-103-1?

There is no performance difference between the MCS-103 and MCS-103-1. There is no performance difference between the MCS-801 and CBC-801-1. The CBC-801-1 is roughly 1/4" shorter than the MCS-801. The units wire and work exactly the same.

3. Which power supplies can be used with the SF 1525HT and SFC 1525HT (used in the EP-1525HT) coil?

90V:

The SF and SFC 1525 High Torque 90V clutch coils require .794 amps of current to produce full rated torque. The following power supplies and controls will provide the needed power.

CBC-100	.8 amps	MCS-103-1	1.25 amps
CBC-150	.8 amps	CBC-500	1 amp
CBC-801	1.25 amps	CBC-550	1 amp

24V:

The SF and SFC 1525 High Torque 24V clutch coils require 3.14 amps of current to produce full rated torque.

Any of our 24V controls (CBC-500, CBC-550, CBC-700) will provide this current.

4. Can I use a CBC-160 with a variable frequency drive and AC motor?

No. As the voltage to the drive is varied, the output to the electrically released brake would also vary. This would cause the brake to re-engage when it should be released.

5. Which power supplies offer a 12 VDC power source that could be used to power auxiliary switch inputs such as inductive or photoelectric sensors?

CBC-500, CBC-550, CBC-700, CBC-750

6. We plan to use a PLC in the application. Does that impact our choice of control or power supply?

The CBC-801s and MCS-103-1 are not very PLC friendly. Both require a 10 amp relay for switching which is not very common for PLCs. Alternatives would be CBC-150 or CBC-500/550 respectively which are more 'PLC-Friendly'.

7. Which of the controls would allow for the independent operation of two clutches or two brakes?

Four controls allow for completely independent operation of two clutches or brakes. That is, that a clutch and brake can both be on at once, both off at once, or one on and one off. These controls are:

CBC-801-1 and CBC-801-2, MCS-103-1, CBC-300

The CBC-500/550 allows for operation of both channels on at once, both channels off at once or cycling between channel one and two. However, in the both-on/both-off mode, you cannot also do independent single channel operation.

8. Our PLC can provide 24 or 90 volts output. Why do we need a separate power supply at all?

There are two reasons to use a Warner Electric control or power supply with clutches and brakes. First, the electric coil within clutches and brakes can create a significant back EMF spike when turned off. This can damage PLC circuits (some PLCs include a diode for protection). All Warner Electric controls and power supplies include a suppression network to protect upstream electrical components from the back EMF spike. Second, this same suppression network will speed the collapse of the magnetic field within a clutch or brake. Without the suppression circuit, a clutch and brake will often overlap each other in performance with resulting poor machine performance.

9. Which controls can be used with electrically released brakes?

The CBC-160-1 and CBC-160-2 are designed specifically to use with the conduit box of EM and EUM electrically released brake designs. The CBC-160-1 and CBC-160-2 can also be used with ER and FB brake designs.

The MCS-103-1, CBC-300 and CBC-500/550 can all be used with ER, FB as well as UM-FBC, EM and EUM-FBB and EM and EUM-MBFB designs.

The MCS 805-1 and MCS 805-2 are for use only with the ER 1225 brakes. The ERS series brakes can be used with the CBC-100 or CBC-801 power supplies.

Ordering Information

Model	Part Number	Page
CBC-100-1	6003-448-101	CTL-4
CBC-100-2	6003-448-103	CTL-4
MCS-103-1	6010-448-002	CTL-8
CBC-150-1	6004-448-001	CTL-4
CBC-150-2	6004-448-002	CTL-4
CBC-160-1	6013-448-001	CTL-5
CBC-160-2	6013-448-002	CTL-5
CBC-300	6021-448-009	CTL-10, CTL-11
CBC-300-1	6021-448-002	CTL-11
CBC-500-24	6024-448-002	CTL-12
CBC-500-90	6024-448-003	CTL-12
CBC-550-24	6024-448-005	CTL-14
CBC-550-90	6024-448-006	CTL-14
CBC-1825R	1825-448-001	CTL-16
CBC-700-24	6042-448-002	CTL-18
CBC-700-90	6042-448-003	CTL-18
CBC-750-6	6041-448-001	CTL-20
CBC-801-1	6001-448-004	CTL-6
CBC-801-2	6001-448-006	CTL-6
Octal Socket, Foot Mount	6001-101-001	CTL-6, CTL-7
Octal Socket, DIN Rail Mount	6001-101-002	CTL-6, CTL-7
CBC-802	6002-448-002	CTL-7
Optional Enclosure: CBC-500, CBC-700	6042-101-004	CTL-12, CTL-18
Optional Enclosure: CBC-550	6006-101-007	CTL-14
MCS-805-1	6090-448-006	CTL-9
MCS-805-2	6090-448-007	CTL-9

Part Numbers Ordering Information

PN